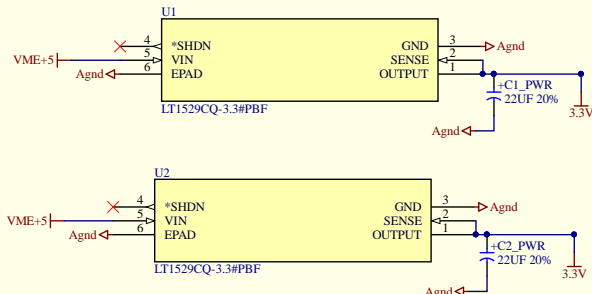
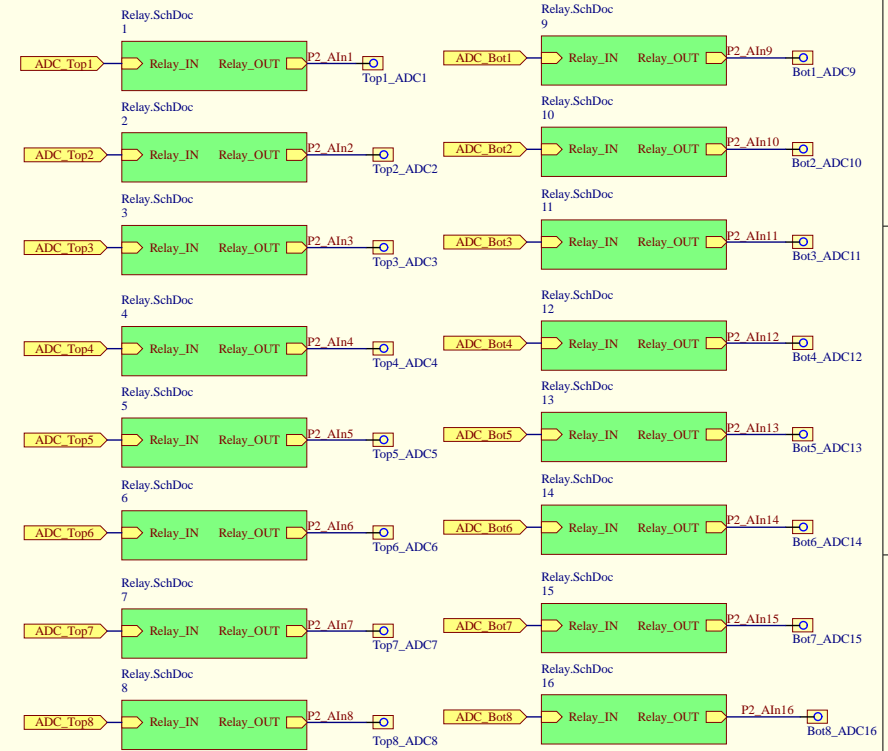
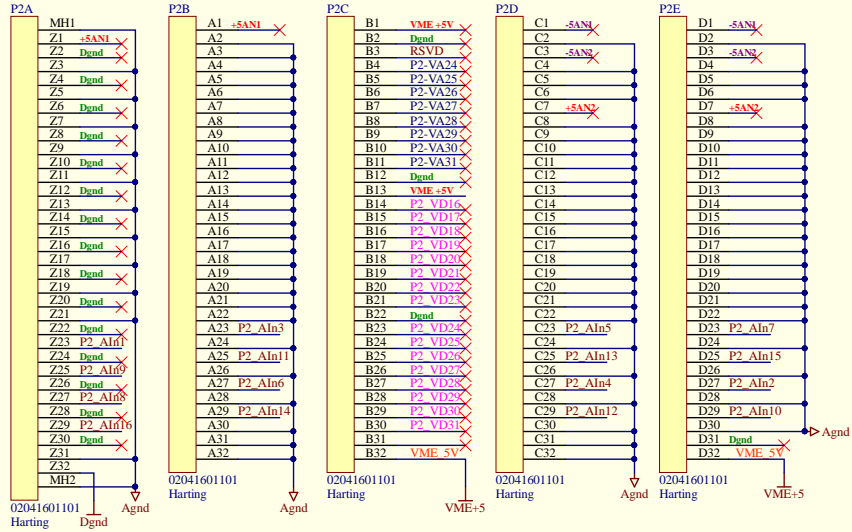


Title			TDE2394 - Main		
Size	Number	Revision		Rev.A	
A4	1				
Date:	2018-06-15	Sheet 1	of 46		
File:	C:\Users\...\Main.SchDoc	Drawn By: N. MASSACRET			



Manufacturer: Schroff
 Manufacturer Part Number: 21100429
 Description: SCREW M2.5X8 100 PCS

Manufacturer: Keystone Electronics
 Manufacturer Part Number: 4707
 Description: HEX NUT 0.197" STEEL M2.5



Title		
TDE2394 - Analog		
Size	Number	Revision
B	1	Rev.A
Date:	2018-06-15	Sheet 2 of 46
File:	C:\Users\...\Analog_SchDoc	Drawn By: N_MASSACRET

1

2

3

4

A

A

B

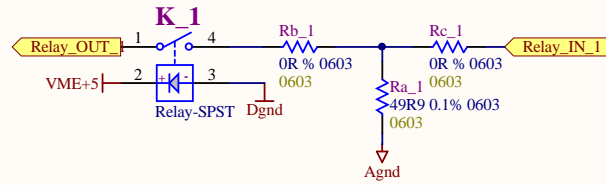
B

C

C

D

D



Title		
TDE2394 - Relay		
Size	Number	Revision
A4	1	Rev.A
Date:	2018-06-15	Sheet 3.1 of 46
File:	C:\Users\...\Relay.SchDoc	Drawn By: N. MASSACRET

1

2

3

4

1

2

3

4

A

A

B

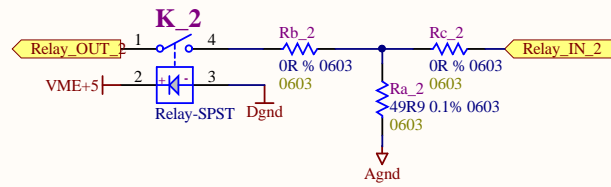
B

C

C

D

D



Title		
TDE2394 - Relay		
Size	Number	Revision
A4	1	Rev.A
Date:	2018-06-15	Sheet 3,2 of 46
File:	C:\Users\...\Relay.SchDoc	Drawn By: N. MASSACRET

1

2

3

4

1

2

3

4

A

A

B

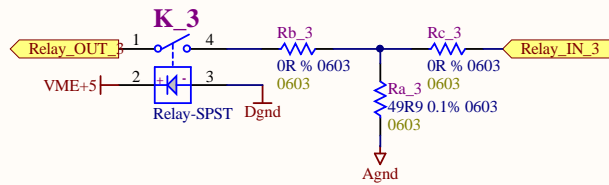
B

C

C

D

D



Title		
TDE2394 - Relay		
Size	Number	Revision
A4	1	Rev.A
Date:	2018-06-15	Sheet 3,3 of 46
File:	C:\Users\...\Relay.SchDoc	Drawn By: N. MASSACRET

1

2

3

4

1

2

3

4

A

A

B

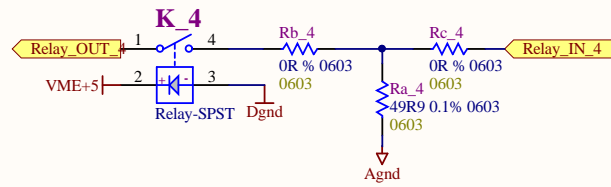
B

C

C

D

D



Title		
TDE2394 - Relay		
Size	Number	Revision
A4	1	Rev.A
Date:	2018-06-15	Sheet 3,4 of 46
File:	C:\Users\...\Relay.SchDoc	Drawn By: N. MASSACRET

1

2

3

4

1

2

3

4

A

A

B

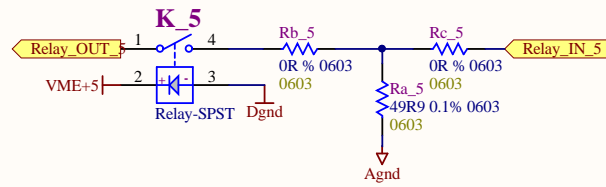
B

C

C

D

D



Title		
TDE2394 - Relay		
Size	Number	Revision
A4	1	Rev.A
Date:	2018-06-15	Sheet 3,5 of 46
File:	C:\Users\...\Relay.SchDoc	Drawn By: N. MASSACRET

1

2

3

4

1

2

3

4

A

A

B

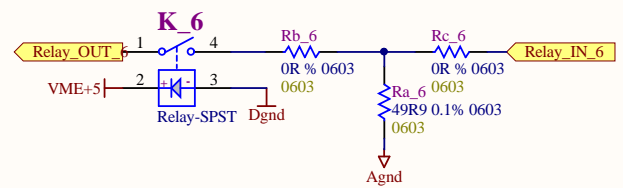
B

C

C

D

D



Title		
TDE2394 - Relay		
Size	Number	Revision
A4	1	Rev.A
Date:	2018-06-15	Sheet 3,6 of 46
File:	C:\Users\...\Relay.SchDoc	Drawn By: N. MASSACRET

1

2

3

4

1

2

3

4

A

A

B

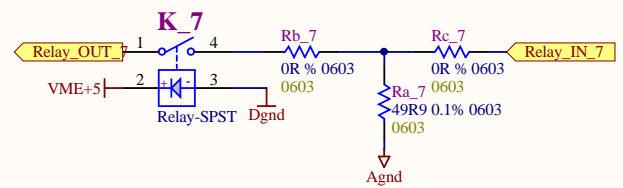
B

C

C

D

D



Title		
TDE2394 - Relay		
Size	Number	Revision
A4	1	Rev.A
Date:	2018-06-15	Sheet 3,7 of 46
File:	C:\Users\...\Relay.SchDoc	Drawn By: N. MASSACRET

1

2

3

4

1

2

3

4

A

A

B

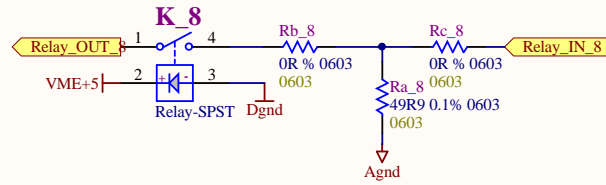
B

C

C

D

D



Title		
TDE2394 - Relay		
Size	Number	Revision
A4	1	Rev.A
Date:	2018-06-15	Sheet 3,8 of 46
File:	C:\Users\...\Relay.SchDoc	Drawn By: N. MASSACRET

1

2

3

4

1

2

3

4

A

A

B

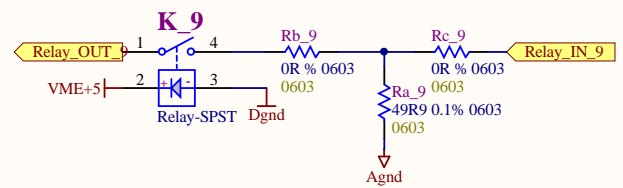
B

C

C

D

D



Title		
TDE2394 - Relay		
Size	Number	Revision
A4	1	Rev.A
Date:	2018-06-15	Sheet 3,9 of 46
File:	C:\Users\...\Relay.SchDoc	Drawn By: N. MASSACRET

1

2

3

4

1

2

3

4

A

A

B

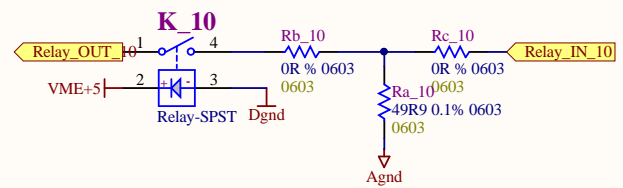
B

C

C

D

D



Title		
TDE2394 - Relay		
Size	Number	Revision
A4	1	Rev.A
Date:	2018-06-15	Sheet 3.10 of 46
File:	C:\Users\...\Relay.SchDoc	Drawn By: N. MASSACRET

1

2

3

4

1

2

3

4

A

A

B

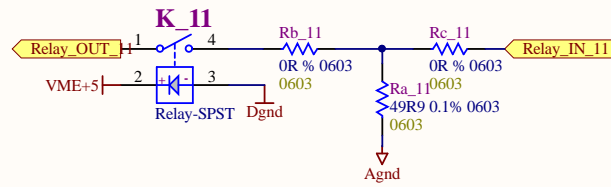
B

C

C

D

D



Title			TDE2394 - Relay		
Size	Number			Revision	
A4	1			Rev.A	
Date:	2018-06-15	Sheet	3.11	of	46
File:	C:\Users\...\Relay.SchDoc	Drawn By:	N. MASSACRET		

1

2

3

4

1

2

3

4

A

A

B

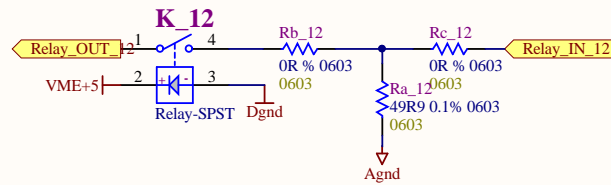
B

C

C

D

D



Title		
TDE2394 - Relay		
Size	Number	Revision
A4	1	Rev.A
Date:	2018-06-15	Sheet 3.12 of 46
File:	C:\Users\...\Relay.SchDoc	Drawn By: N. MASSACRET

1

2

3

4

1

2

3

4

A

A

B

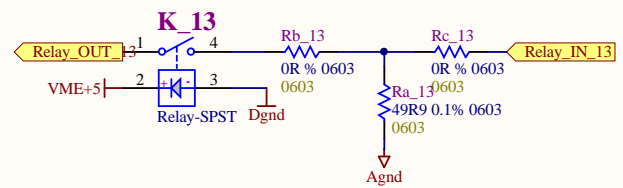
B

C

C

D

D



Title		
TDE2394 - Relay		
Size	Number	Revision
A4	1	Rev.A
Date:	2018-06-15	Sheet 3,13 of 46
File:	C:\Users\...\Relay.SchDoc	Drawn By: N. MASSACRET

1

2

3

4

1

2

3

4

A

A

B

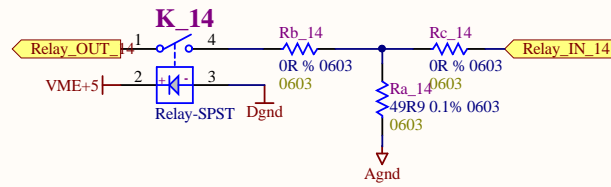
B

C

C

D

D



Title		
TDE2394 - Relay		
Size	Number	Revision
A4	1	Rev.A
Date:	2018-06-15	Sheet 3,14 of 46
File:	C:\Users\...\Relay.SchDoc	Drawn By: N. MASSACRET

1

2

3

4

1

2

3

4

A

A

B

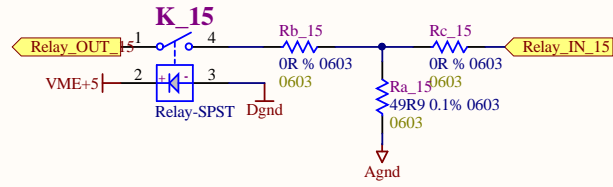
B

C

C

D

D



Title		
TDE2394 - Relay		
Size	Number	Revision
A4	1	Rev.A
Date:	2018-06-15	Sheet 3,15of 46
File:	C:\Users\...\Relay.SchDoc	Drawn By: N. MASSACRET

1

2

3

4

1

2

3

4

A

A

B

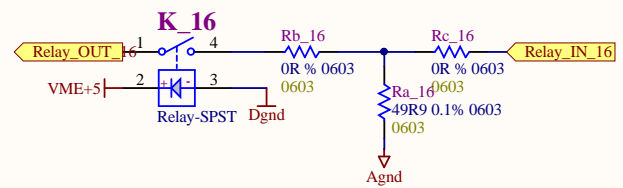
B

C

C

D

D



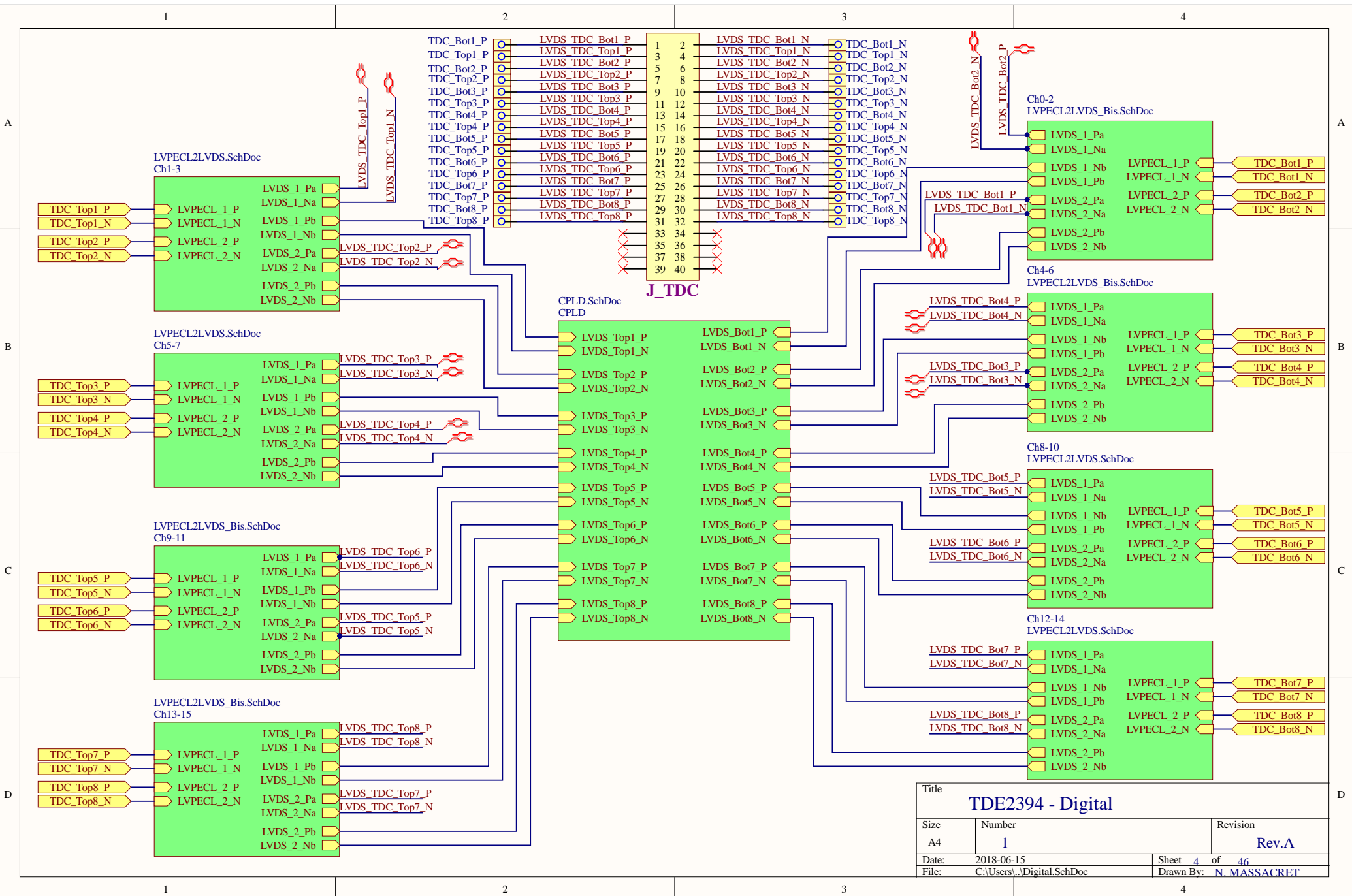
Title			TDE2394 - Relay		
Size	Number			Revision	
A4	1			Rev.A	
Date:	2018-06-15		Sheet	3.1 of 46	
File:	C:\Users\...\Relay.SchDoc		Drawn By:	N. MASSACRET	

1

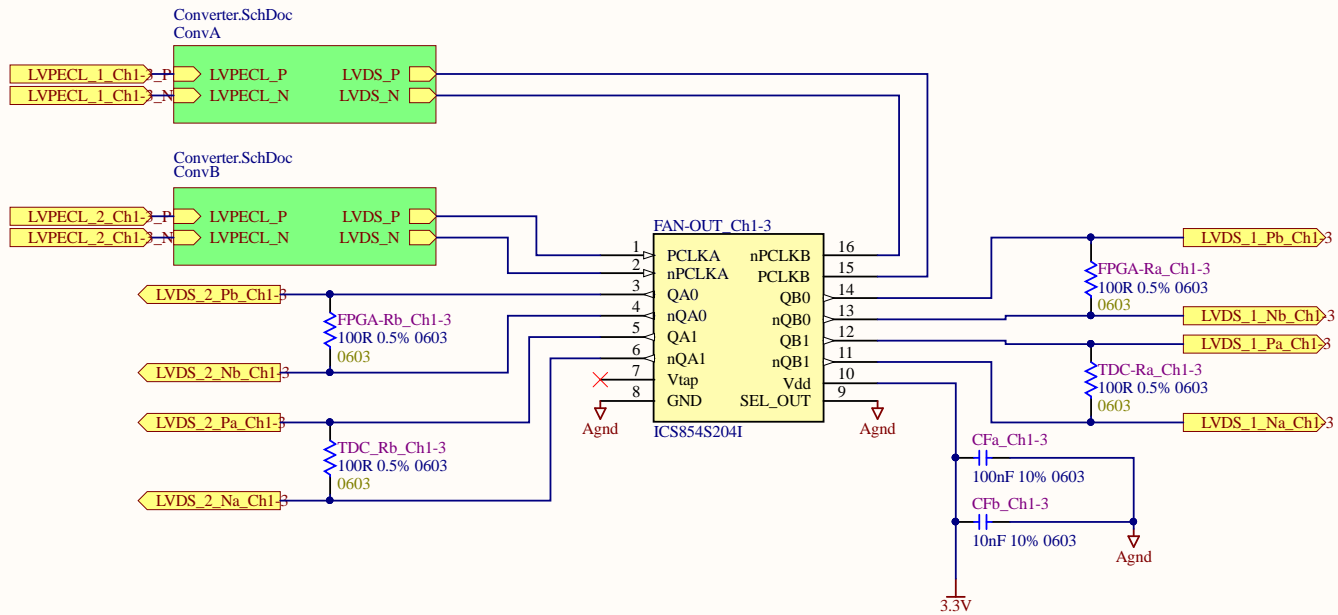
2

3

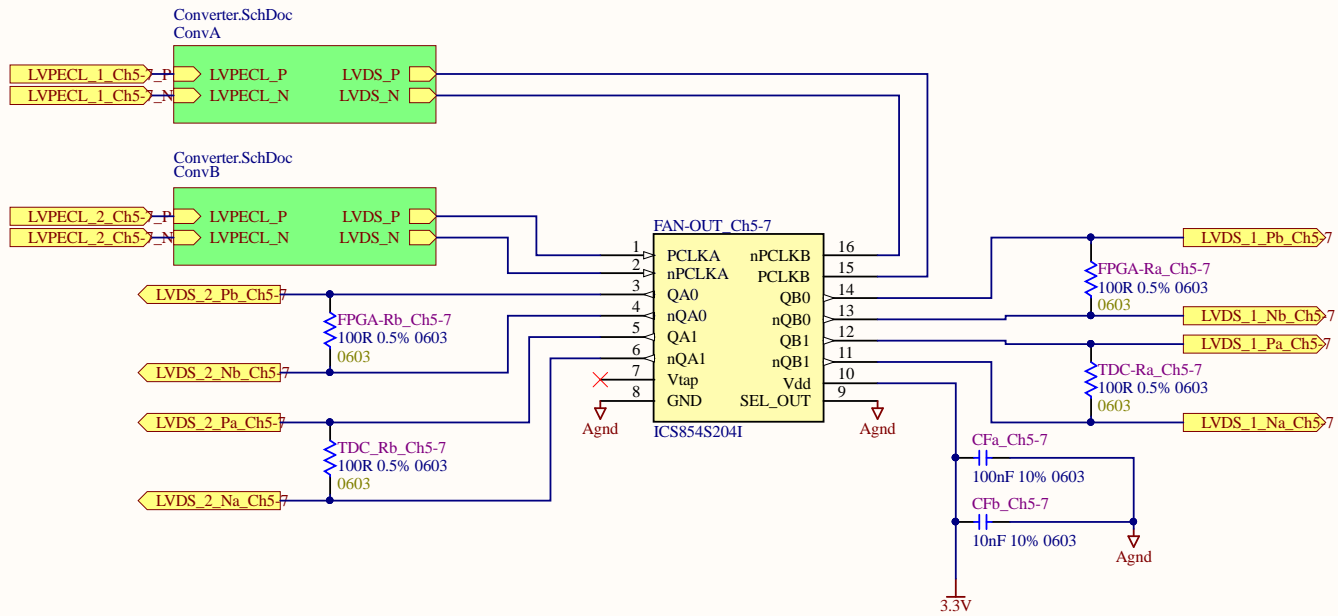
4



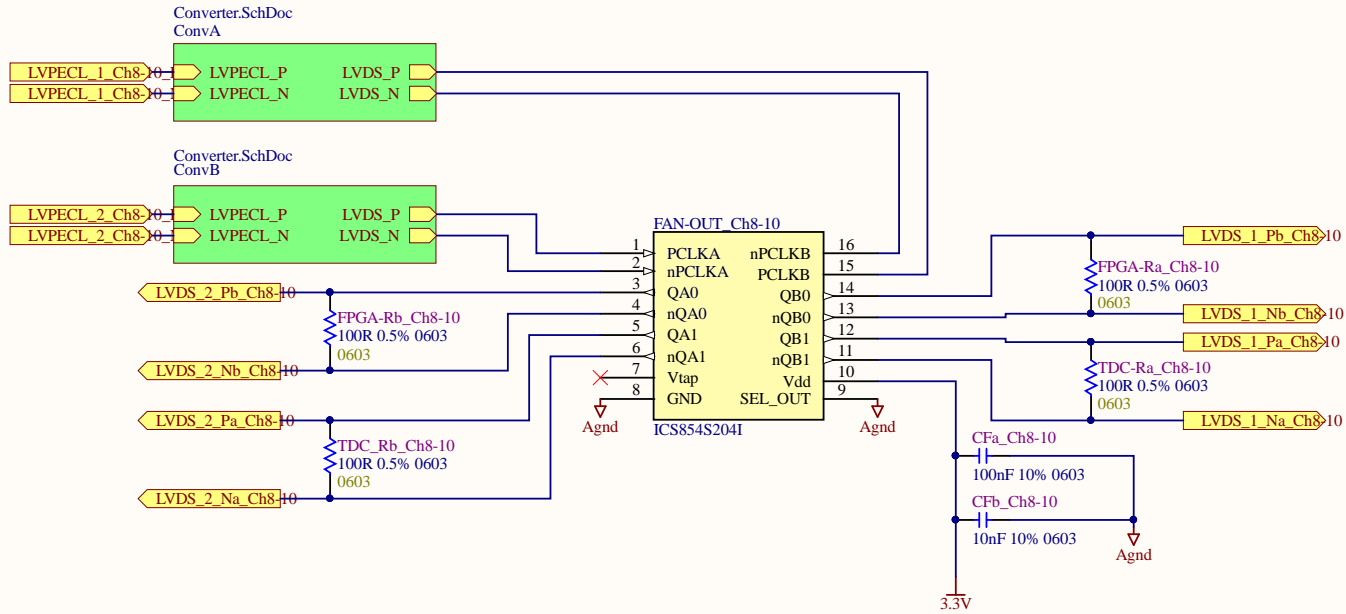
Title			TDE2394 - Digital		
Size	Number	Revision		Rev.A	
A4	1				
Date:	2018-06-15	Sheet 4 of 46			
File:	C:\Users\...\Digital.SchDoc	Drawn By: N. MASSACRET			



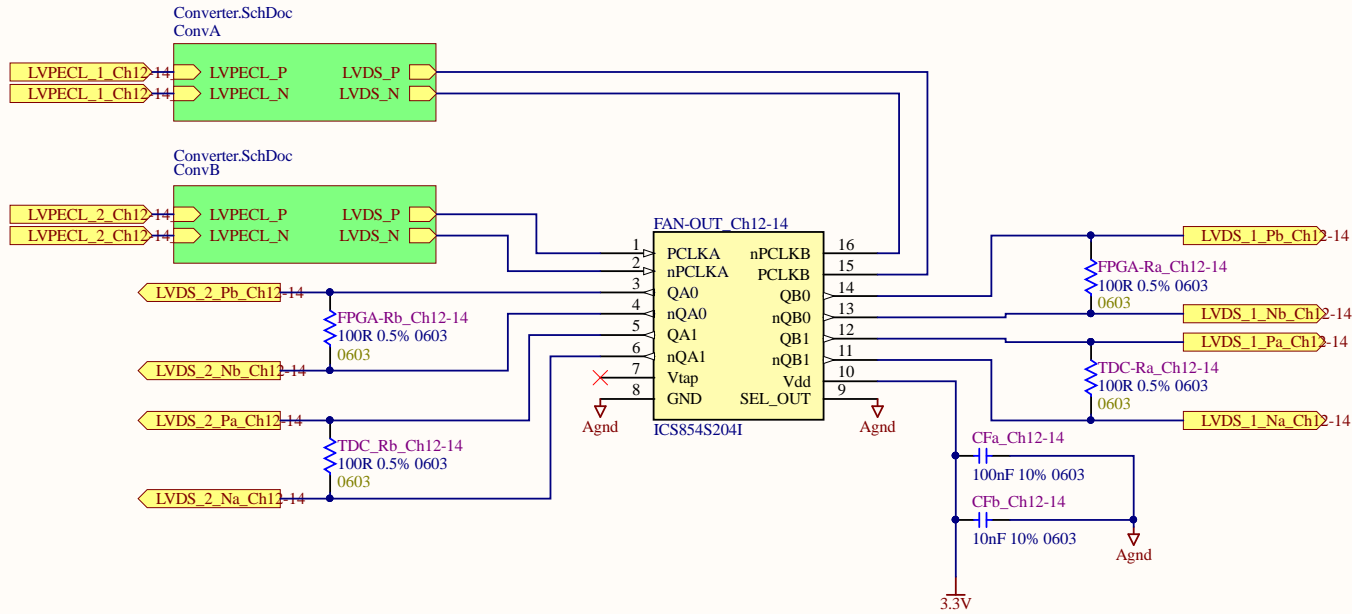
Title		
TDE2394 - LVPECL 2 LVDS		
Size	Number	Revision
A4	1	Rev.A
Date:	2018-06-15	Sheet 5.1 of 46
File:	C:\Users\...\LVPECL2LVDS.SchDoc	Drawn By: N.MASSACRET



Title		
TDE2394 - LVPECL 2 LVDS		
Size	Number	Revision
A4	1	Rev.A
Date:	2018-06-15	Sheet 5.2 of 46
File:	C:\Users\...\LVPECL2LVDS.SchDoc	Drawn By: N.MASSACRET

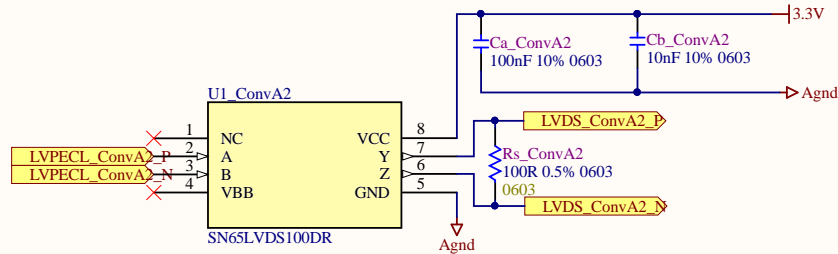


Title		
TDE2394 - LVPECL 2 LVDS		
Size	Number	Revision
A4	1	Rev.A
Date:	2018-06-15	Sheet 5.3 of 46
File:	C:\Users\...\LVPECL2LVDS.SchDoc	Drawn By: N.MASSACRET



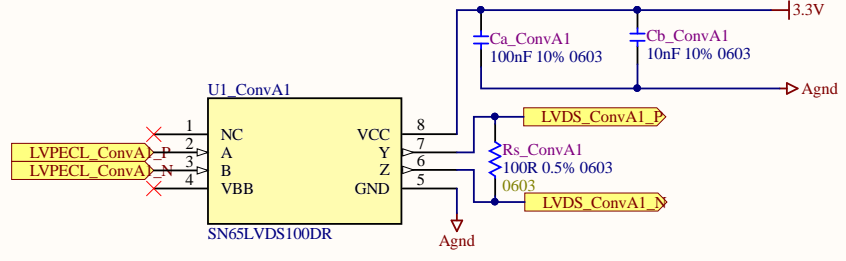
Title		
TDE2394 - LVPECL 2 LVDS		
Size	Number	Revision
A4	1	Rev.A
Date:	2018-06-15	Sheet 5.4 of 46
File:	C:\Users\...\LVPECL2LVDS.SchDoc	Drawn By: N.MASSACRET

Pin Functions				
NAME	PIN		I/O	DESCRIPTION
	SN65LVDS100, SN65LVDS101	SN65LVDT100, SN65LVDT101		
A	2	2	I	Differential non-inverting input
B	3	3	I	Differential inverting input
GND	5	5	—	Ground
NC	1	1, 4	—	No connect
V _{BB}	4	—	O	Voltage reference
V _{CC}	8	8	—	Supply voltage
Y	7	7	O	Differential non-inverting output
Z	6	6	O	Differential inverting output



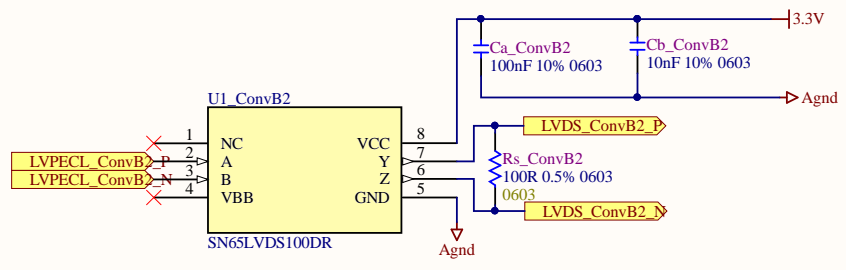
Title			TDE2394 - Converter		
Size	Number	Revision			
A4	1	Rev.A			
Date:	2018-06-15	Sheet	6.1.pjf	46	
File:	C:\Users\...\Converter.SchDoc	Drawn By:	N. MASSACRET		

Pin Functions				
NAME	PIN		I/O	DESCRIPTION
	SN65LVDS100, SN65LVDS101	SN65LVDT100, SN65LVDT101		
A	2	2	I	Differential non-inverting input
B	3	3	I	Differential inverting input
GND	5	5	—	Ground
NC	1	1, 4	—	No connect
V _{BB}	4	—	O	Voltage reference
V _{CC}	8	8	—	Supply voltage
Y	7	7	O	Differential non-inverting output
Z	6	6	O	Differential inverting output



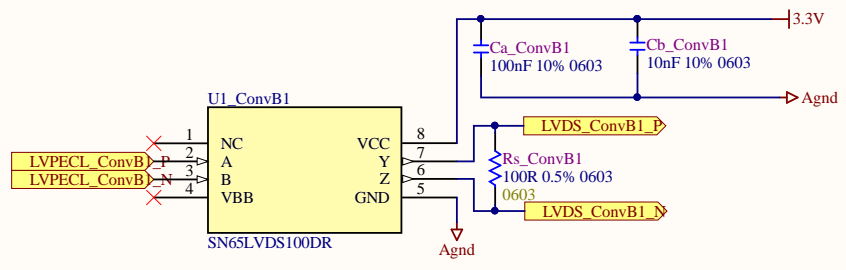
Title			TDE2394 - Converter		
Size	Number	Revision			
A4	1	Rev.A			
Date:	2018-06-15	Sheet	6.1	of	46
File:	C:\Users\...\Converter.SchDoc	Drawn By:	N. MASSACRET		

Pin Functions				
NAME	PIN		I/O	DESCRIPTION
	SN65LVDS100, SN65LVDS101	SN65LVDT100, SN65LVDT101		
A	2	2	I	Differential non-inverting input
B	3	3	I	Differential inverting input
GND	5	5	—	Ground
NC	1	1, 4	—	No connect
V _{BB}	4	—	O	Voltage reference
V _{CC}	8	8	—	Supply voltage
Y	7	7	O	Differential non-inverting output
Z	6	6	O	Differential inverting output



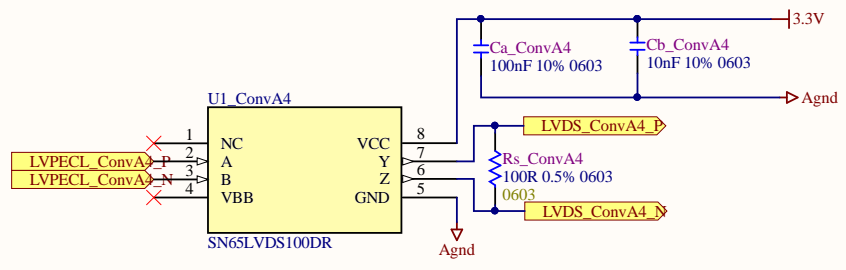
Title			TDE2394 - Converter		
Size	Number			Revision	
A4	1			Rev.A	
Date:	2018-06-15	Sheet 6.1 of 46			
File:	C:\Users\...\Converter.SchDoc	Drawn By: N. MASSACRET			

Pin Functions				
NAME	PIN		I/O	DESCRIPTION
	SN65LVDS100, SN65LVDS101	SN65LVDT100, SN65LVDT101		
A	2	2	I	Differential non-inverting input
B	3	3	I	Differential inverting input
GND	5	5	—	Ground
NC	1	1, 4	—	No connect
V _{BB}	4	—	O	Voltage reference
V _{CC}	8	8	—	Supply voltage
Y	7	7	O	Differential non-inverting output
Z	6	6	O	Differential inverting output



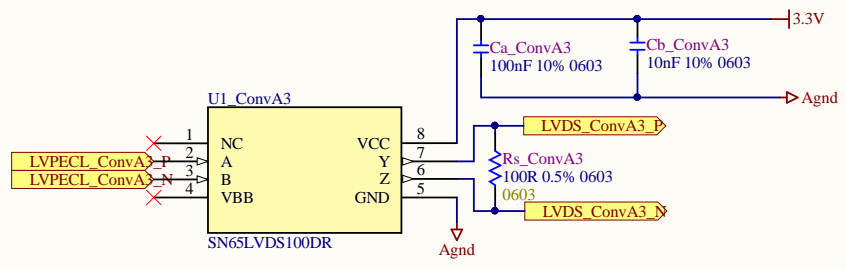
Title			TDE2394 - Converter		
Size	Number			Revision	
A4	1			Rev.A	
Date:	2018-06-15	Sheet	6.1 of 46		
File:	C:\Users\...\Converter.SchDoc	Drawn By:	N. MASSACRET		

Pin Functions				
NAME	PIN		I/O	DESCRIPTION
	SN65LVDS100, SN65LVDS101	SN65LVDT100, SN65LVDT101		
A	2	2	I	Differential non-inverting input
B	3	3	I	Differential inverting input
GND	5	5	—	Ground
NC	1	1, 4	—	No connect
V _{BB}	4	—	O	Voltage reference
V _{CC}	8	8	—	Supply voltage
Y	7	7	O	Differential non-inverting output
Z	6	6	O	Differential inverting output



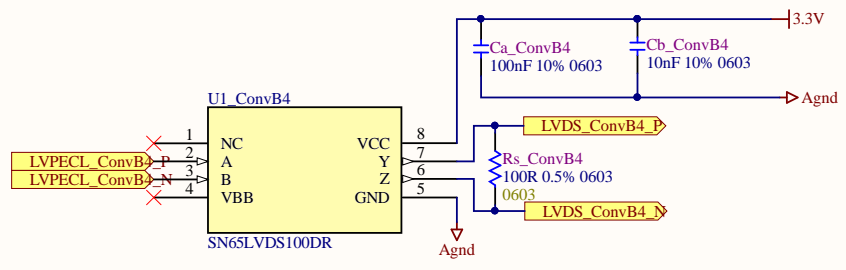
Title			TDE2394 - Converter		
Size	Number	Revision			
A4	1	Rev.A			
Date:	2018-06-15	Sheet	6.2	of	46
File:	C:\Users\...\Converter.SchDoc	Drawn By:	N. MASSACRET		

Pin Functions				
NAME	PIN		I/O	DESCRIPTION
	SN65LVDS100, SN65LVDS101	SN65LVDT100, SN65LVDT101		
A	2	2	I	Differential non-inverting input
B	3	3	I	Differential inverting input
GND	5	5	—	Ground
NC	1	1, 4	—	No connect
V _{BB}	4	—	O	Voltage reference
V _{CC}	8	8	—	Supply voltage
Y	7	7	O	Differential non-inverting output
Z	6	6	O	Differential inverting output



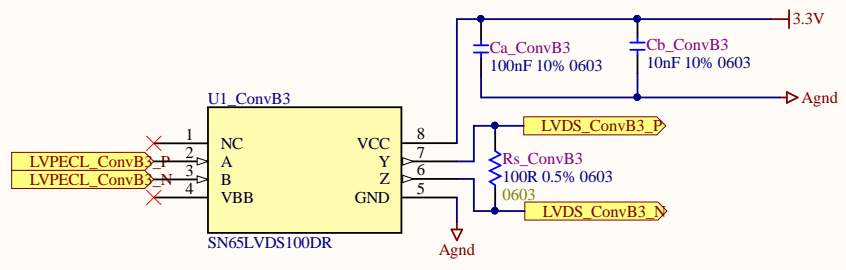
Title			TDE2394 - Converter		
Size	Number			Revision	
A4	1			Rev.A	
Date:	2018-06-15	Sheet	6.2	of	46
File:	C:\Users\...\Converter.SchDoc	Drawn By:	N. MASSACRET		

Pin Functions				
NAME	PIN		I/O	DESCRIPTION
	SN65LVDS100, SN65LVDS101	SN65LVDT100, SN65LVDT101		
A	2	2	I	Differential non-inverting input
B	3	3	I	Differential inverting input
GND	5	5	—	Ground
NC	1	1, 4	—	No connect
V _{BB}	4	—	O	Voltage reference
V _{CC}	8	8	—	Supply voltage
Y	7	7	O	Differential non-inverting output
Z	6	6	O	Differential inverting output



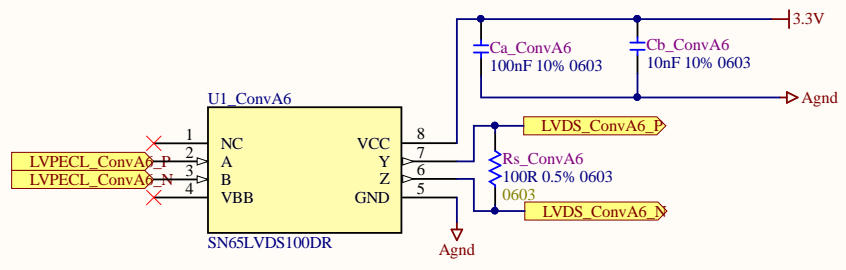
Title			TDE2394 - Converter		
Size	Number			Revision	
A4	1			Rev.A	
Date:	2018-06-15	Sheet	6.2 of 46		
File:	C:\Users\...\Converter.SchDoc	Drawn By:	N. MASSACRET		

Pin Functions				
NAME	PIN		I/O	DESCRIPTION
	SN65LVDS100, SN65LVDS101	SN65LVDT100, SN65LVDT101		
A	2	2	I	Differential non-inverting input
B	3	3	I	Differential inverting input
GND	5	5	—	Ground
NC	1	1, 4	—	No connect
V _{BB}	4	—	O	Voltage reference
V _{CC}	8	8	—	Supply voltage
Y	7	7	O	Differential non-inverting output
Z	6	6	O	Differential inverting output



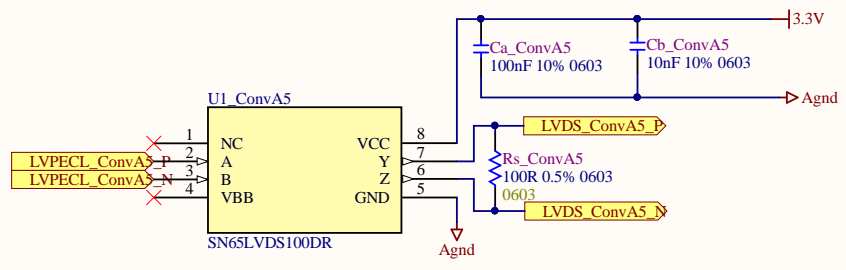
Title			TDE2394 - Converter		
Size	Number	Revision			
A4	1	Rev.A			
Date:	2018-06-15	Sheet	6.2 of 46		
File:	C:\Users\...\Converter.SchDoc	Drawn By:	N. MASSACRET		

Pin Functions				
NAME	PIN		I/O	DESCRIPTION
	SN65LVDS100, SN65LVDS101	SN65LVDT100, SN65LVDT101		
A	2	2	I	Differential non-inverting input
B	3	3	I	Differential inverting input
GND	5	5	—	Ground
NC	1	1, 4	—	No connect
V _{BB}	4	—	O	Voltage reference
V _{CC}	8	8	—	Supply voltage
Y	7	7	O	Differential non-inverting output
Z	6	6	O	Differential inverting output



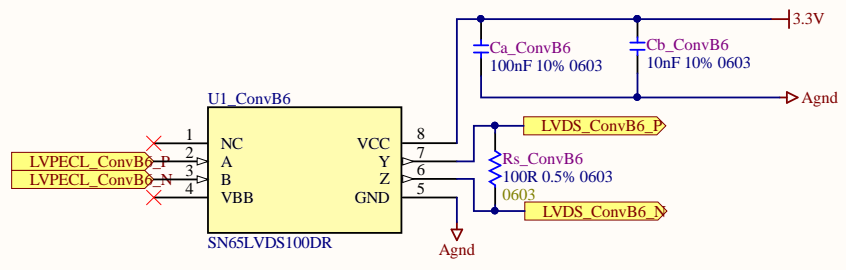
Title			TDE2394 - Converter		
Size	Number			Revision	
A4	1			Rev.A	
Date:	2018-06-15	Sheet	6.3	of	46
File:	C:\Users\...\Converter.SchDoc	Drawn By:	N. MASSACRET		

Pin Functions				
NAME	PIN		I/O	DESCRIPTION
	SN65LVDS100, SN65LVDS101	SN65LVDT100, SN65LVDT101		
A	2	2	I	Differential non-inverting input
B	3	3	I	Differential inverting input
GND	5	5	—	Ground
NC	1	1, 4	—	No connect
V _{BB}	4	—	O	Voltage reference
V _{CC}	8	8	—	Supply voltage
Y	7	7	O	Differential non-inverting output
Z	6	6	O	Differential inverting output



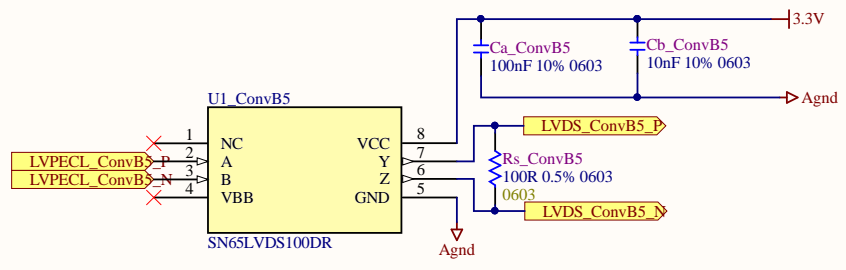
Title			TDE2394 - Converter		
Size	Number			Revision	
A4	1			Rev.A	
Date:	2018-06-15	Sheet	6.3	of	46
File:	C:\Users\...\Converter.SchDoc	Drawn By:	N. MASSACRET		

Pin Functions				
NAME	PIN		I/O	DESCRIPTION
	SN65LVDS100, SN65LVDS101	SN65LVDT100, SN65LVDT101		
A	2	2	I	Differential non-inverting input
B	3	3	I	Differential inverting input
GND	5	5	—	Ground
NC	1	1, 4	—	No connect
V _{BB}	4	—	O	Voltage reference
V _{CC}	8	8	—	Supply voltage
Y	7	7	O	Differential non-inverting output
Z	6	6	O	Differential inverting output



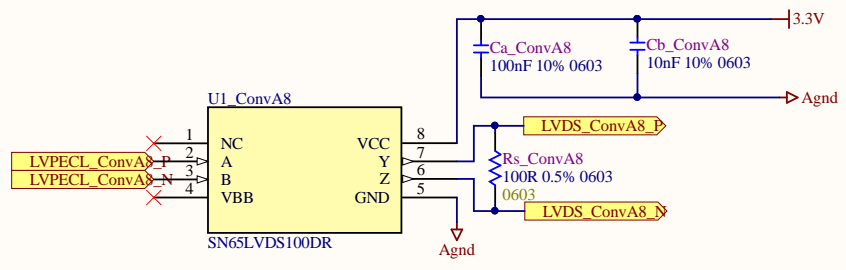
Title			TDE2394 - Converter		
Size	Number	Revision			
A4	1	Rev.A			
Date:	2018-06-15	Sheet	6.3 of 46		
File:	C:\Users\...\Converter.SchDoc	Drawn By:	N. MASSACRET		

Pin Functions				
NAME	PIN		I/O	DESCRIPTION
	SN65LVDS100, SN65LVDS101	SN65LVDT100, SN65LVDT101		
A	2	2	I	Differential non-inverting input
B	3	3	I	Differential inverting input
GND	5	5	—	Ground
NC	1	1, 4	—	No connect
V _{BB}	4	—	O	Voltage reference
V _{CC}	8	8	—	Supply voltage
Y	7	7	O	Differential non-inverting output
Z	6	6	O	Differential inverting output



Title			TDE2394 - Converter		
Size	Number			Revision	
A4	1			Rev.A	
Date:	2018-06-15	Sheet 6.3 of 46			
File:	C:\Users\...\Converter.SchDoc	Drawn By: N. MASSACRET			

Pin Functions				
NAME	PIN		I/O	DESCRIPTION
	SN65LVDS100, SN65LVDS101	SN65LVDT100, SN65LVDT101		
A	2	2	I	Differential non-inverting input
B	3	3	I	Differential inverting input
GND	5	5	—	Ground
NC	1	1, 4	—	No connect
V _{BB}	4	—	O	Voltage reference
V _{CC}	8	8	—	Supply voltage
Y	7	7	O	Differential non-inverting output
Z	6	6	O	Differential inverting output



Title			TDE2394 - Converter		
Size	Number	Revision			
A4	1	Rev.A			
Date:	2018-06-15	Sheet	6.4	of	46
File:	C:\Users\...\Converter.SchDoc	Drawn By:	N. MASSACRET		

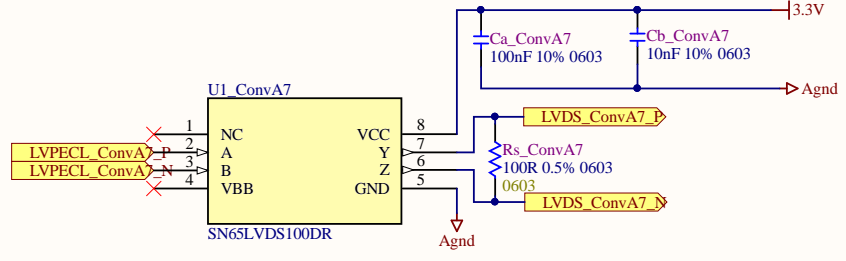
1

2

3

4

Pin Functions				
NAME	PIN		I/O	DESCRIPTION
	SN65LVDS100, SN65LVDS101	SN65LVDT100, SN65LVDT101		
A	2	2	I	Differential non-inverting input
B	3	3	I	Differential inverting input
GND	5	5	—	Ground
NC	1	1, 4	—	No connect
V _{BB}	4	—	O	Voltage reference
V _{CC}	8	8	—	Supply voltage
Y	7	7	O	Differential non-inverting output
Z	6	6	O	Differential inverting output



Title			TDE2394 - Converter		
Size	Number			Revision	
A4	1			Rev.A	
Date:	2018-06-15	Sheet	6.4	of	46
File:	C:\Users\...\Converter.SchDoc	Drawn By:	N. MASSACRET		

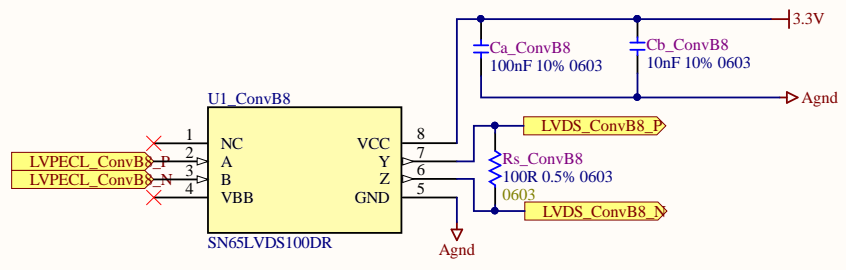
1

2

3

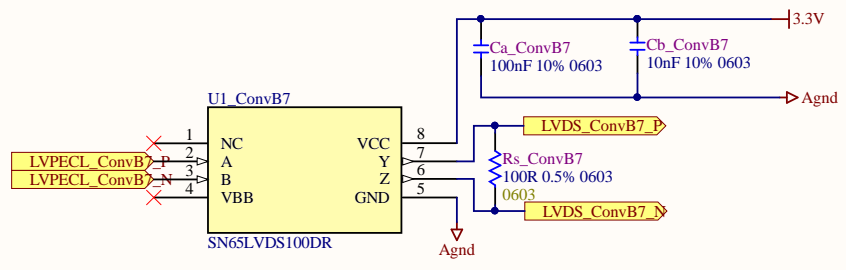
4

Pin Functions				
NAME	PIN		I/O	DESCRIPTION
	SN65LVDS100, SN65LVDS101	SN65LVDT100, SN65LVDT101		
A	2	2	I	Differential non-inverting input
B	3	3	I	Differential inverting input
GND	5	5	—	Ground
NC	1	1, 4	—	No connect
V _{BB}	4	—	O	Voltage reference
V _{CC}	8	8	—	Supply voltage
Y	7	7	O	Differential non-inverting output
Z	6	6	O	Differential inverting output

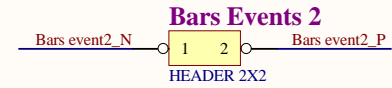
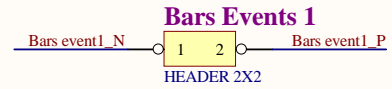
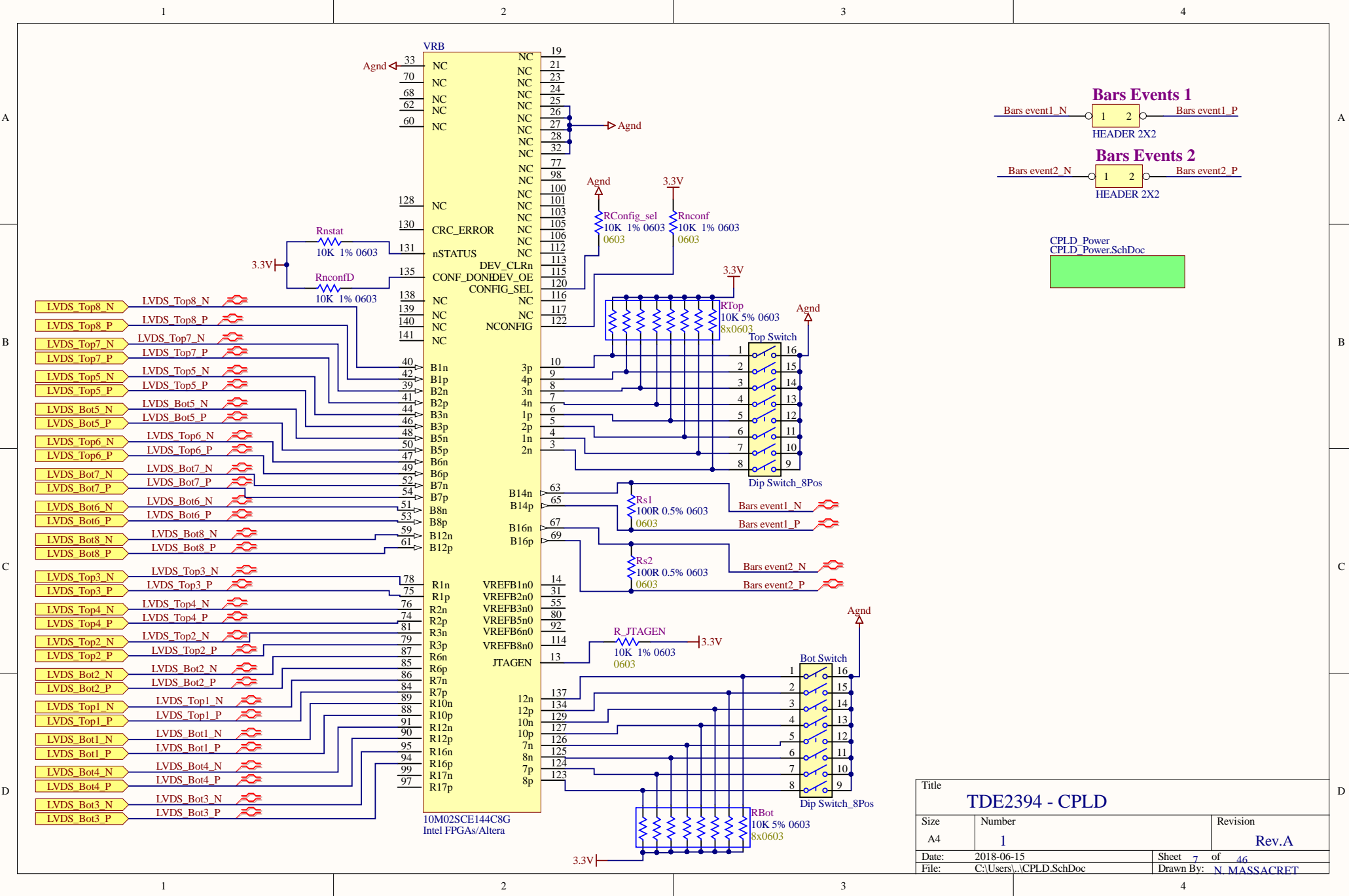


Title			TDE2394 - Converter		
Size	Number			Revision	
A4	1			Rev.A	
Date:	2018-06-15	Sheet	6.4 of 46		
File:	C:\Users\...\Converter.SchDoc	Drawn By:	N. MASSACRET		

Pin Functions				
NAME	PIN		I/O	DESCRIPTION
	SN65LVDS100, SN65LVDS101	SN65LVDT100, SN65LVDT101		
A	2	2	I	Differential non-inverting input
B	3	3	I	Differential inverting input
GND	5	5	—	Ground
NC	1	1, 4	—	No connect
V _{BB}	4	—	O	Voltage reference
V _{CC}	8	8	—	Supply voltage
Y	7	7	O	Differential non-inverting output
Z	6	6	O	Differential inverting output

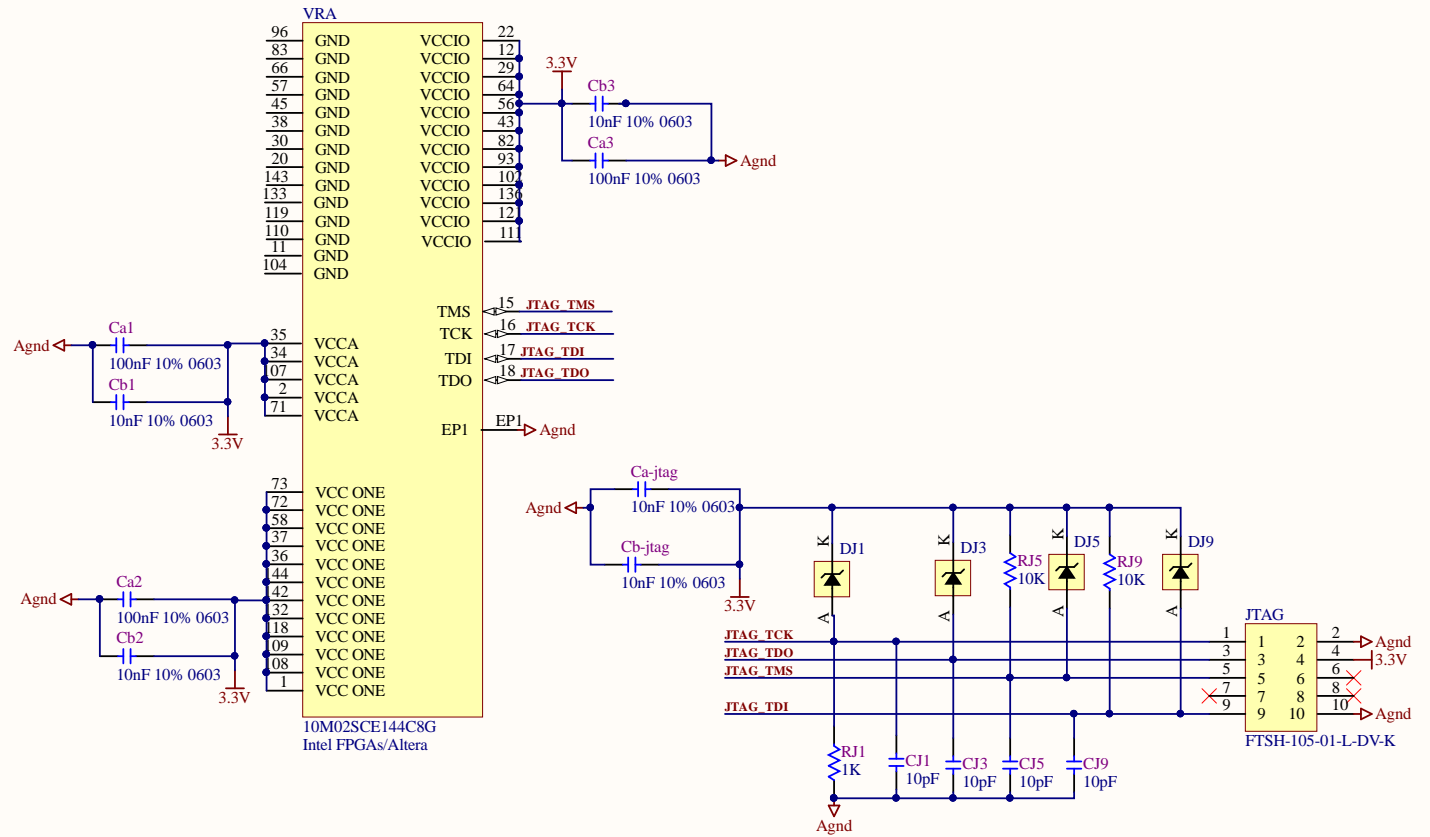


Title			TDE2394 - Converter		
Size	Number			Revision	
A4	1			Rev.A	
Date:	2018-06-15	Sheet	6.4 of	46	
File:	C:\Users\...\Converter.SchDoc	Drawn By:	N. MASSACRET		

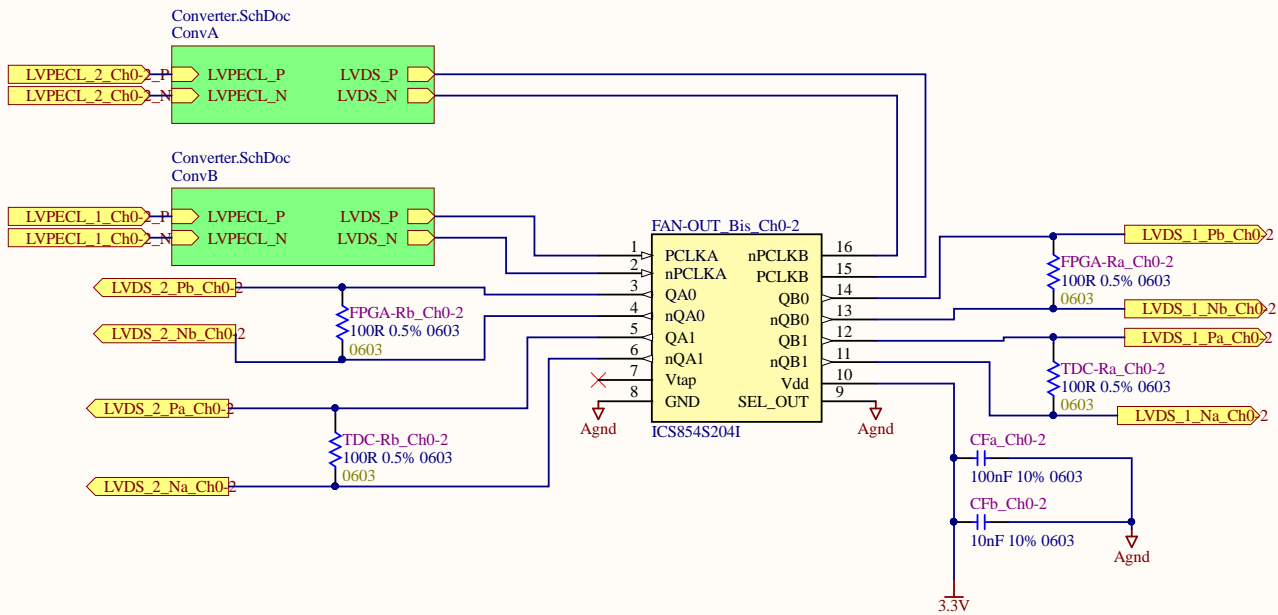


CPLD Power
CPLD_Power.SchDoc

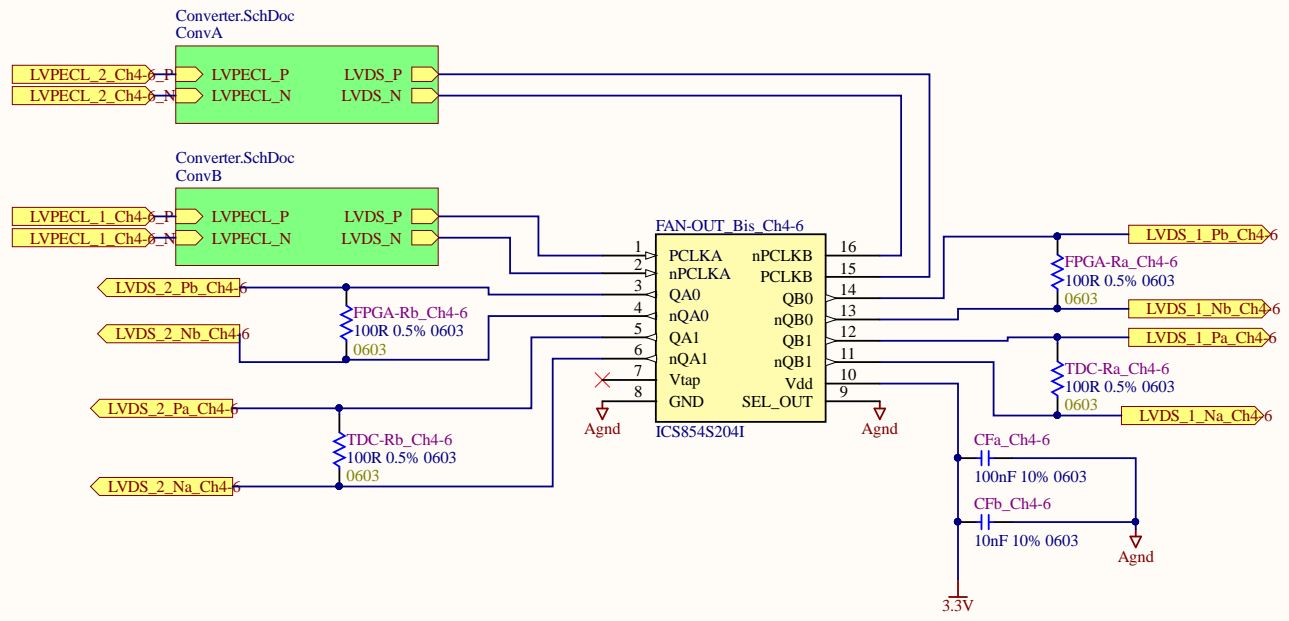
Title		
TDE2394 - CPLD		
Size	Number	Revision
A4	1	Rev.A
Date:	2018-06-15	Sheet 7 of 46
File:	C:\Users\...\CPLD.SchDoc	Drawn By: N. MASSACRET



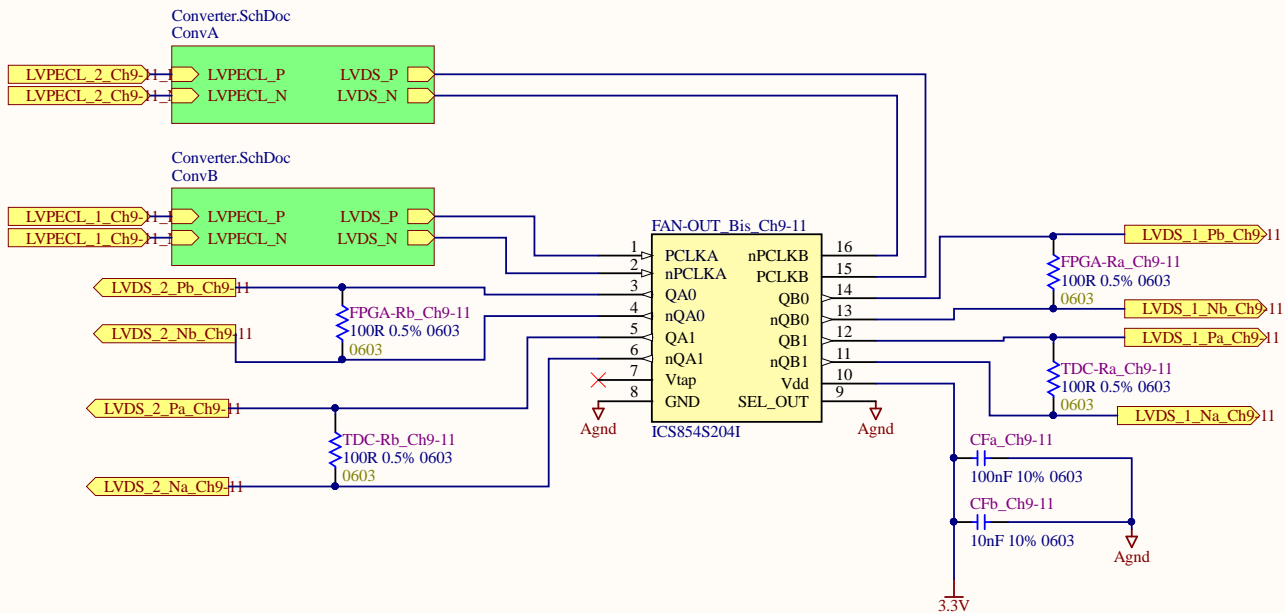
Title			TDE2394 - CPLD_Power		
Size	Number			Revision	
A4	1			Rev.A	
Date:	2018-06-15		Sheet 8 of 46		
File:	C:\Users\...\CPLD_Power.SchDoc		Drawn By: N. MASSACRET		



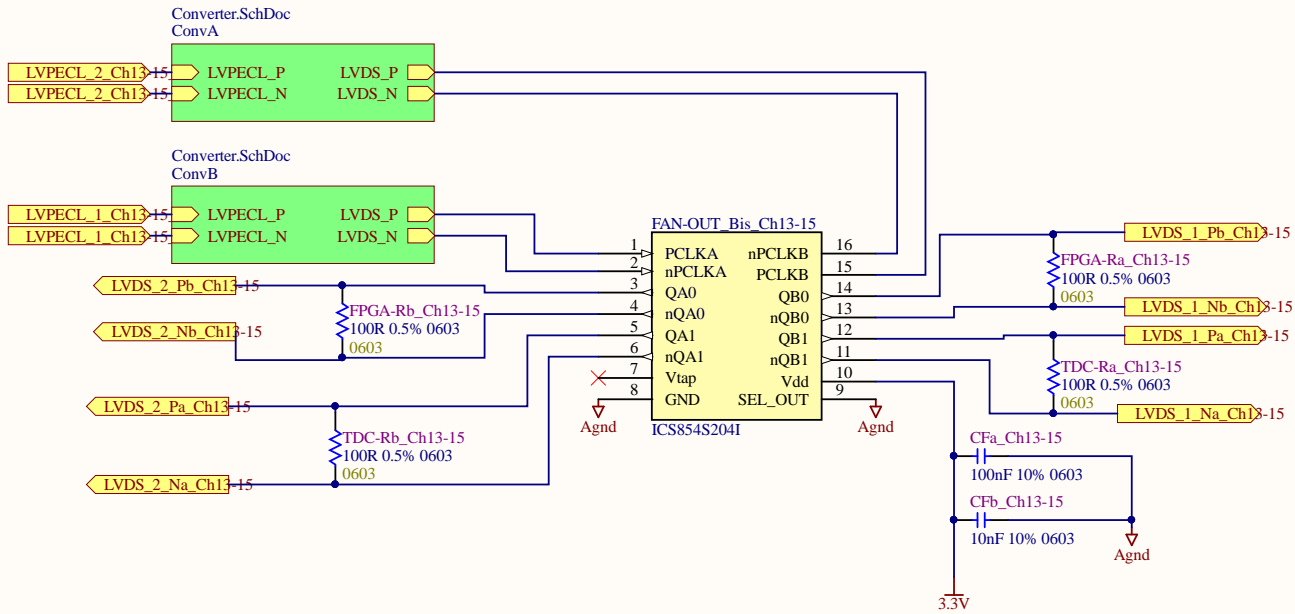
Title		
TDE2394 - LVPECL 2 LVDS _Bis		
Size	Number	Revision
A4	1	Rev.A
Date:	2018-06-15	Sheet 9.1 of 46
File:	C:\Users\...\LVPECL2LVDS_Bis.SchDoc	Drawn By: N. MASSACRET



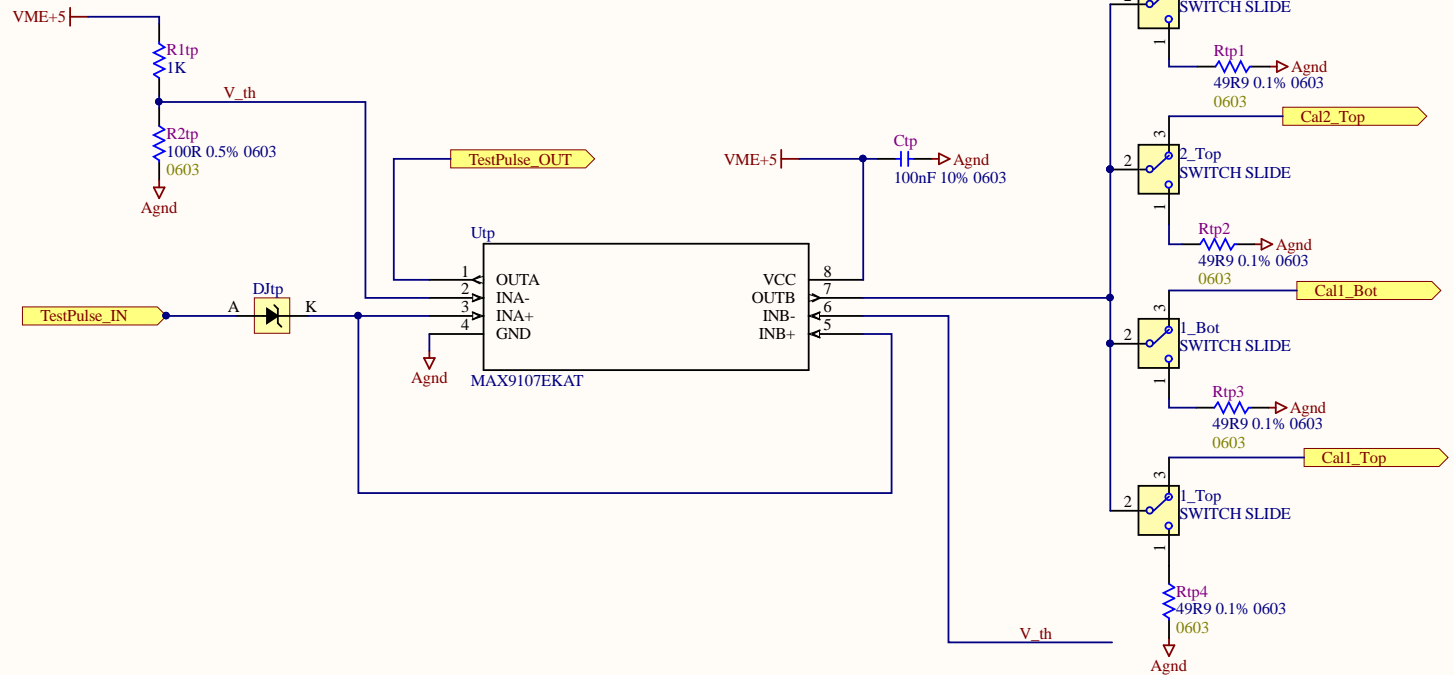
Title		
TDE2394 - LVPECL 2 LVDS _Bis		
Size	Number	Revision
A4	1	Rev.A
Date:	2018-06-15	Sheet 9,2 of 46
File:	C:\Users\...\LVPECL2LVDS_Bis.SchDoc	Drawn By: N. MASSACRET



Title		
TDE2394 - LVPECL 2 LVDS _Bis		
Size	Number	Revision
A4	1	Rev.A
Date:	2018-06-15	Sheet 9,3 of 46
File:	C:\Users\...\LVPECL2LVDS_Bis.SchDoc	Drawn By: N. MASSACRET



Title		
TDE2394 - LVPECL 2 LVDS_Bis		
Size	Number	Revision
A4	1	Rev.A
Date:	2018-06-15	Sheet 9.4 of 46
File:	C:\Users\...\LVPECL2LVDS_Bis.SchDoc	Drawn By: N. MASSACRET



Title		
TDE2394 - Test Pulse		
Size	Number	Revision
A4	1	Rev.A
Date:	2018-06-15	Sheet 10 of 46
File:	C:\Users\...\TestPulse.SchDoc	Drawn By: N. MASSACRET