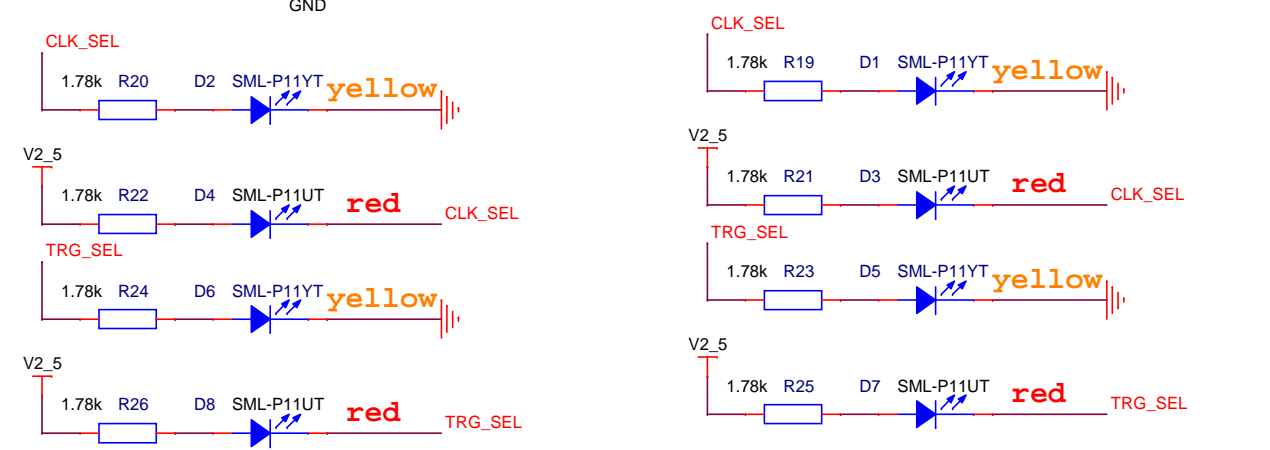
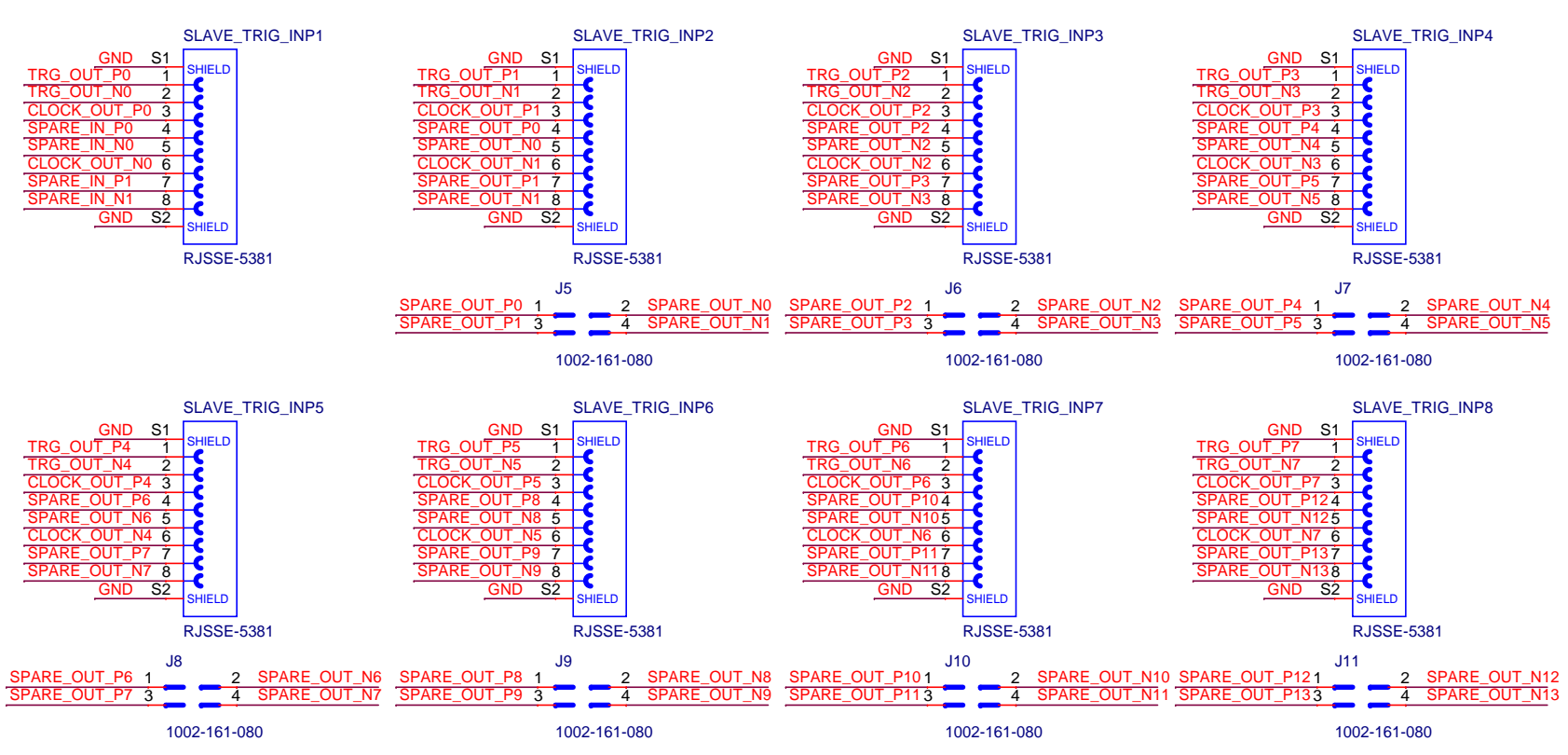


- J1** 1 CTS\_CLOCK\_MANAGER\_P  
2 CTS\_CLOCK\_MANAGER\_N
  - J2** 1 CTS\_CLOCK\_FANOUT\_P  
2 CTS\_CLOCK\_FANOUT\_N
  - J3** 1 TRG\_LVDS\_IN\_P0  
2 TRG\_LVDS\_IN\_N0
  - J4** 1 TRG\_LVDS\_IN\_P1  
2 TRG\_LVDS\_IN\_N1
- Indicate the signal polarities on the PCB with info  
J3: Trigger 1  
J4: Trigger 2



Please place the LEDs by the info text

**Clock Source**      **Trigger Source**  
**LEMO: D4**            **CTS : D8**  
**RJ45: D2**             **Daisy: D6**

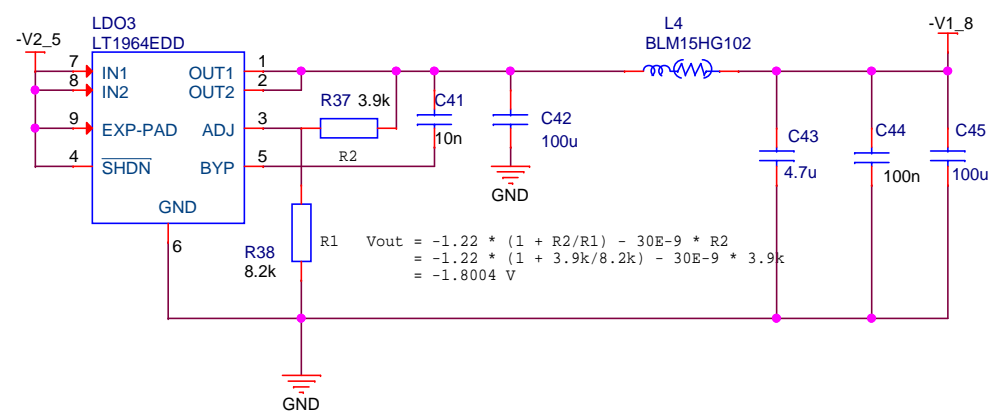
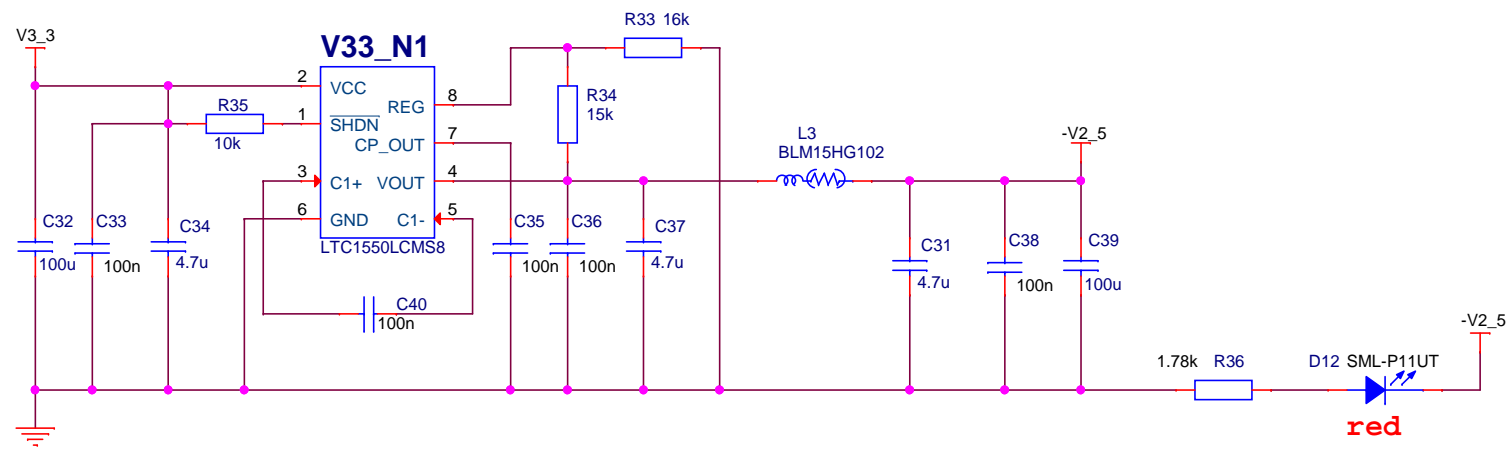
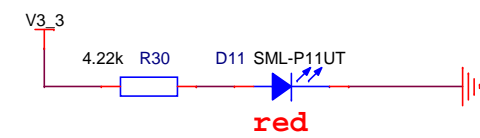
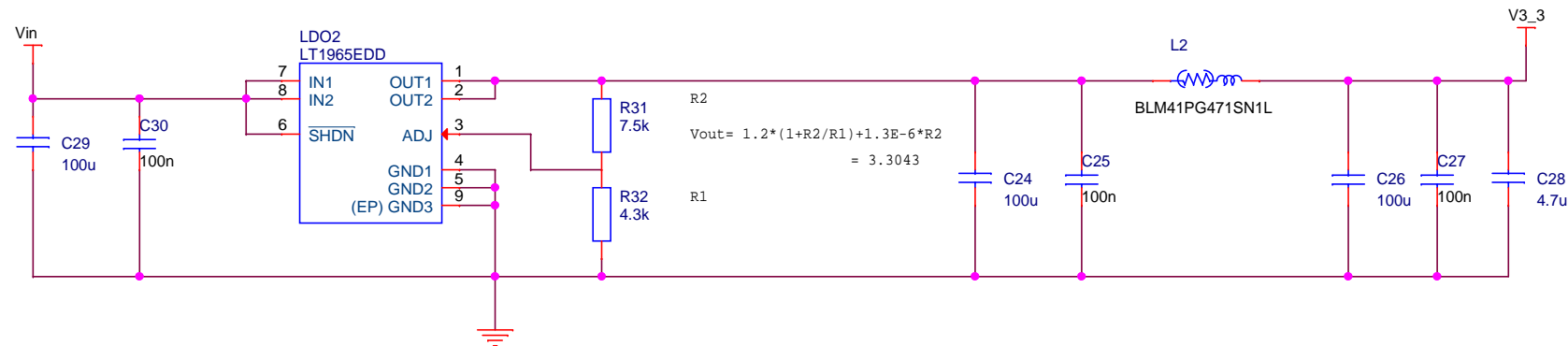
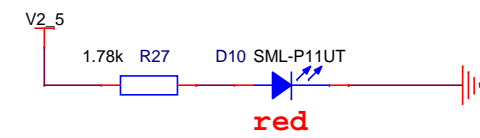
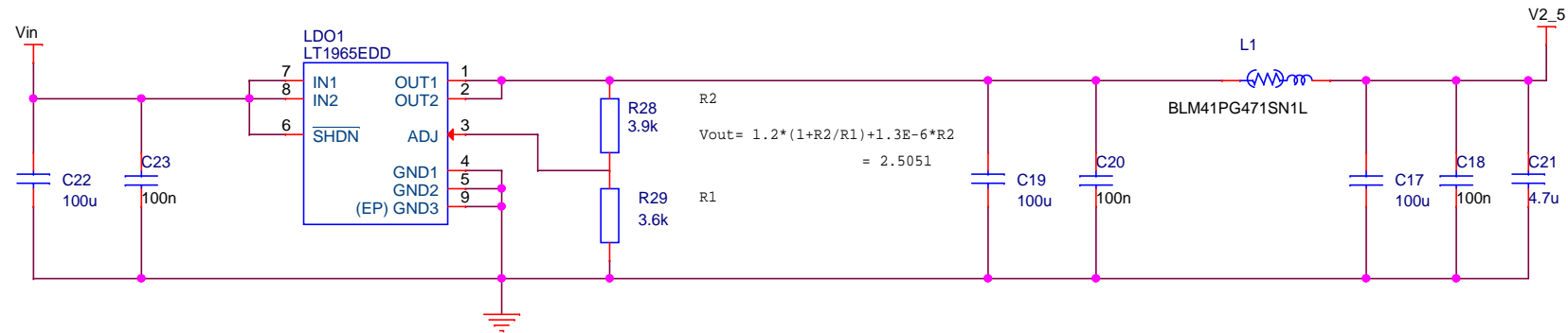
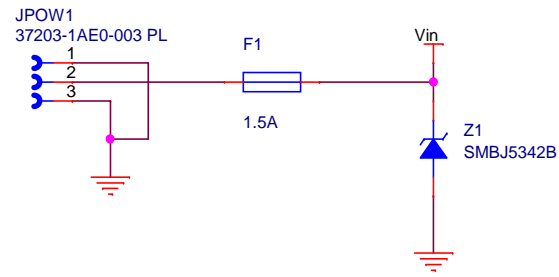
Please place this text on the PCB

Gesellschaft für Schwerionenforschung mbH  
Planckstrasse 1  
D-64291 Darmstadt  
GERMANY  
www.gsi.de

## TRBDIST2

### Trigger

Design: K:\GSIJOB\HADES\TRBV3\TRBDIST2\TRBDIST2.DSN	
Modified: Friday, October 24, 2014	Size: A3
Designer: C.Uaur	Page: 1 / 2
LAYOUT: P.Skott	



**GSi** Gesellschaft für Schwerionenforschung mbH  
 Planckstrasse 1  
 D-64291 Darmstadt  
 GERMANY  
 www.gsi.de

**TRBDIST2 POWER**

Design: K:\GSIJOB\HADES\TRBV3\TRBDIST2\TRBDIST2.DSN	Size: A3	Page: 2 / 2
Modified: Friday, October 24, 2014	Designer: C.Ugur	Lavouter: P.Skott