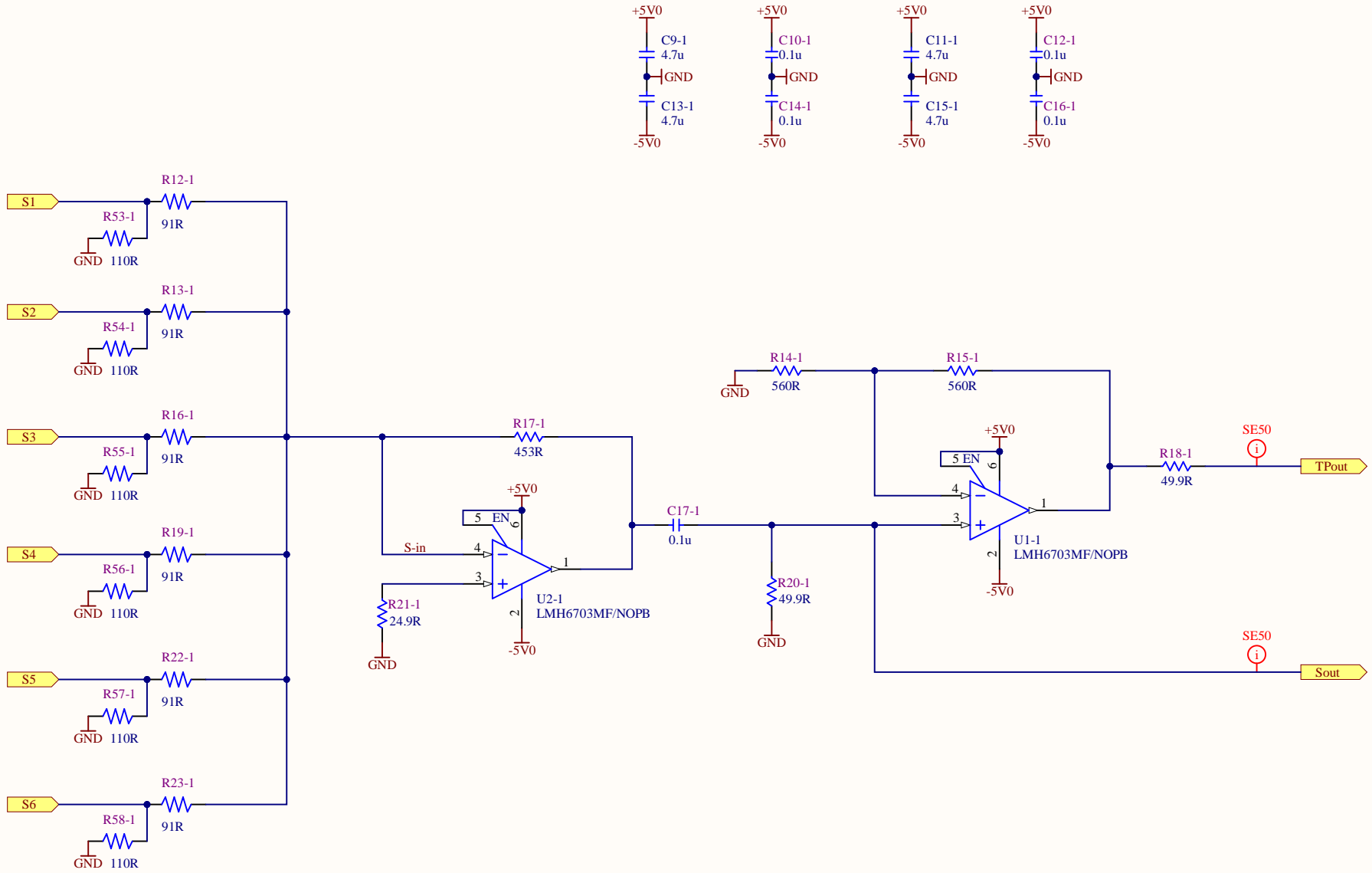
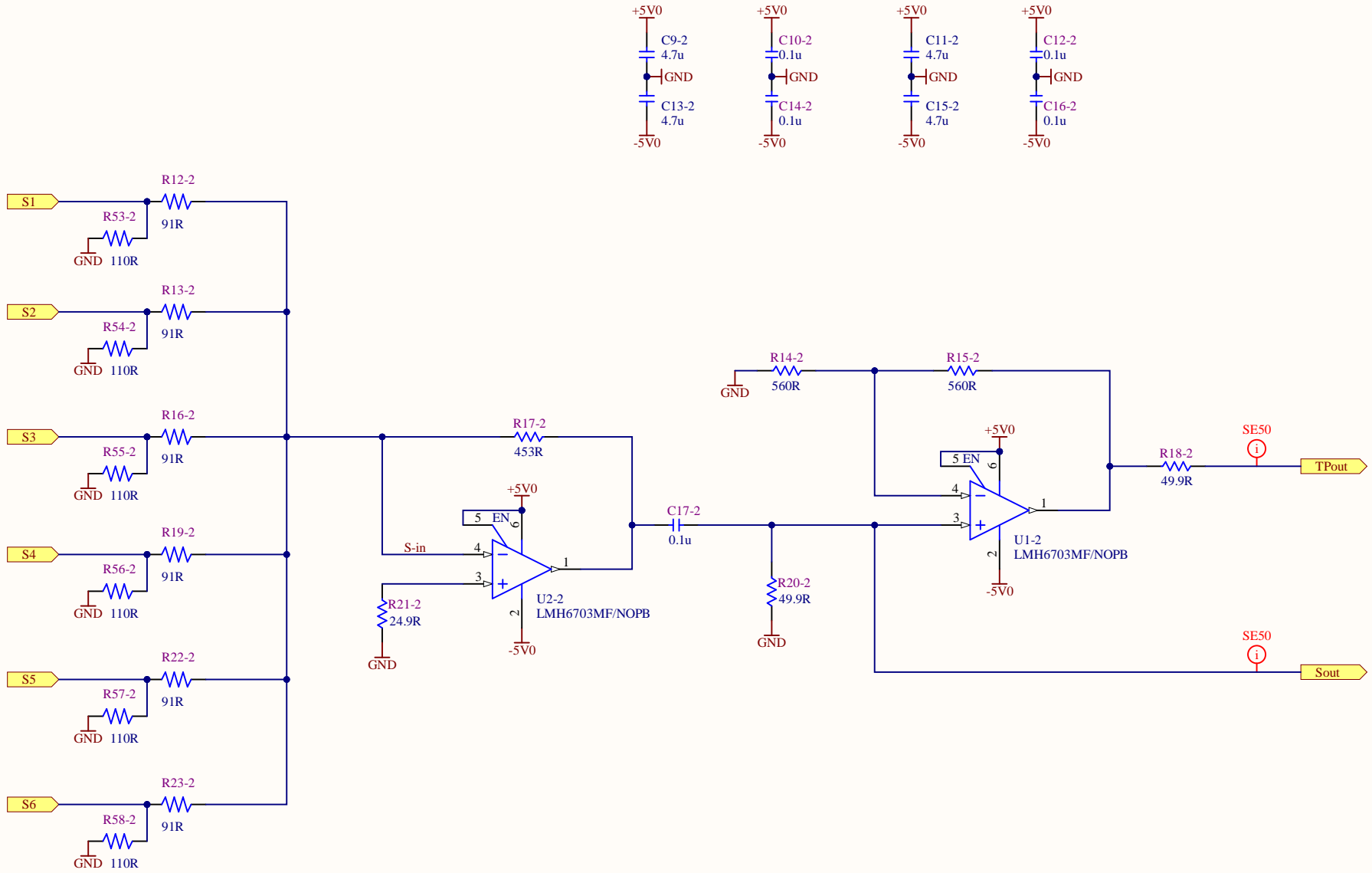


Power estimate Sheet +mA/-mA
 CMP +130/-70
 PREAMP +180/-180
 SUM +30/-30
 TOP +20/-10
 TOTAL = +360/-290mA

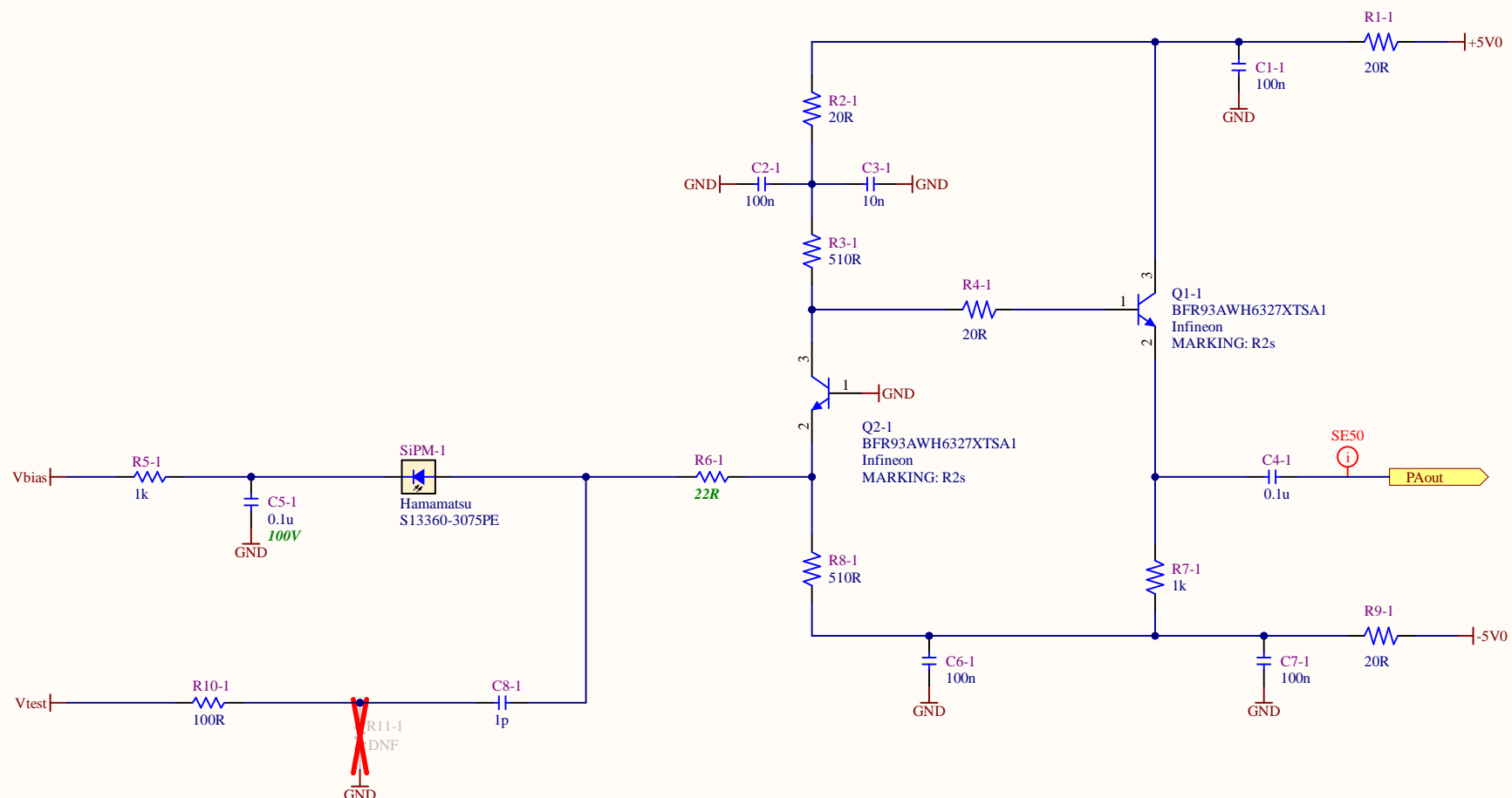
| | | | | | |
|--------|---------------------------------|--|-------------------------|--|---------|
| Title | | | DarkLight - Scint - Top | | |
| Size | Number | | Revision | | Rev 0-B |
| Letter | | | | | |
| Date: | 6-20-2023 | | Sheet of | | |
| File: | C:\Work\...\DL-Scint-Top.SchDoc | | Drawn By: | | |



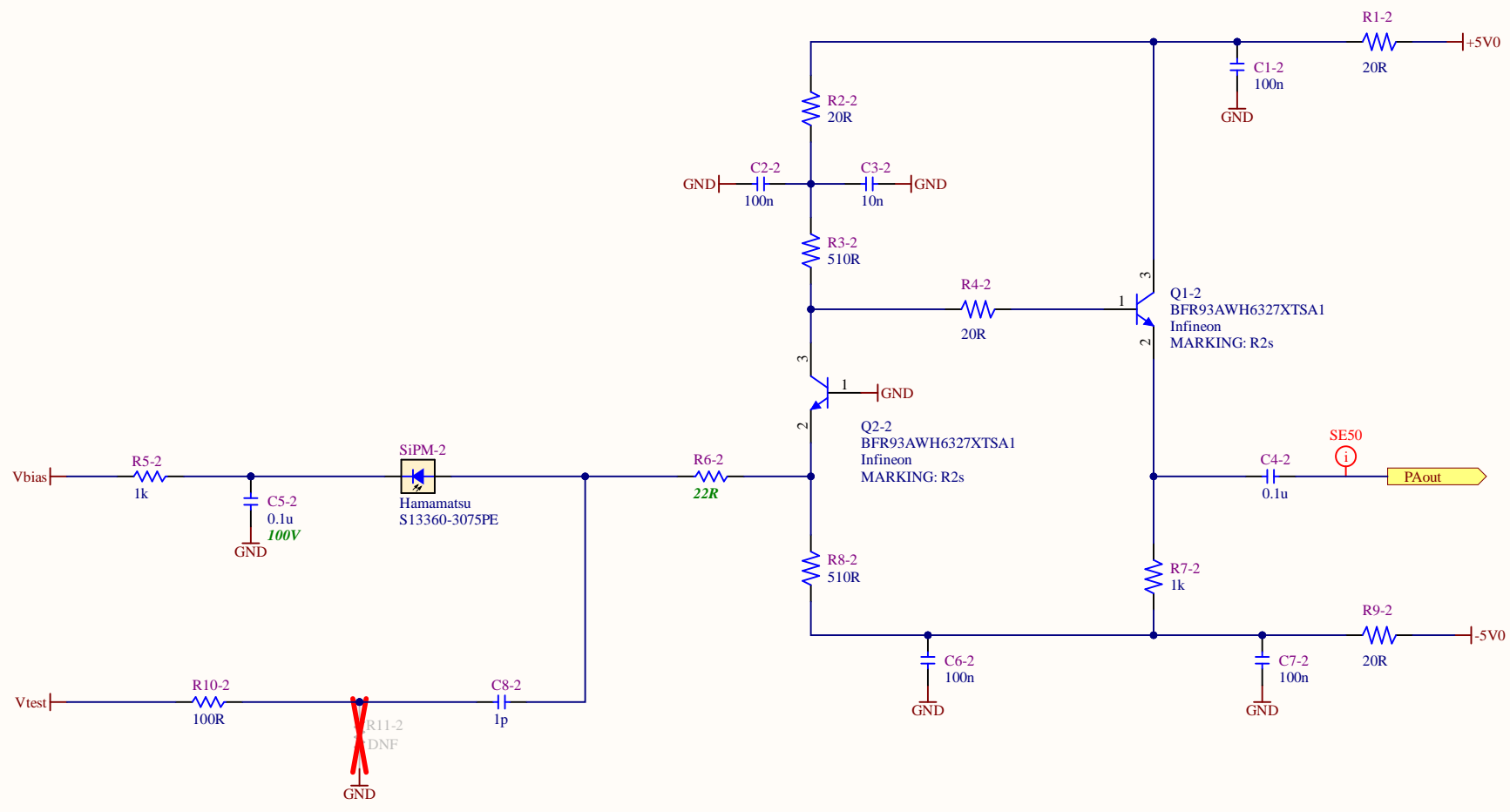
| | | |
|-----------------------------------|------------------------------------|---------------|
| Title | | |
| DarkLight - Scint - SumAmp | | |
| Size | Number | Revision |
| Letter | | Rev0-B |
| Date: | 6-20-2023 | Sheet of |
| File: | C:\Work\...\DL-Scint-SumAmp.SchDoc | Drawn By: |



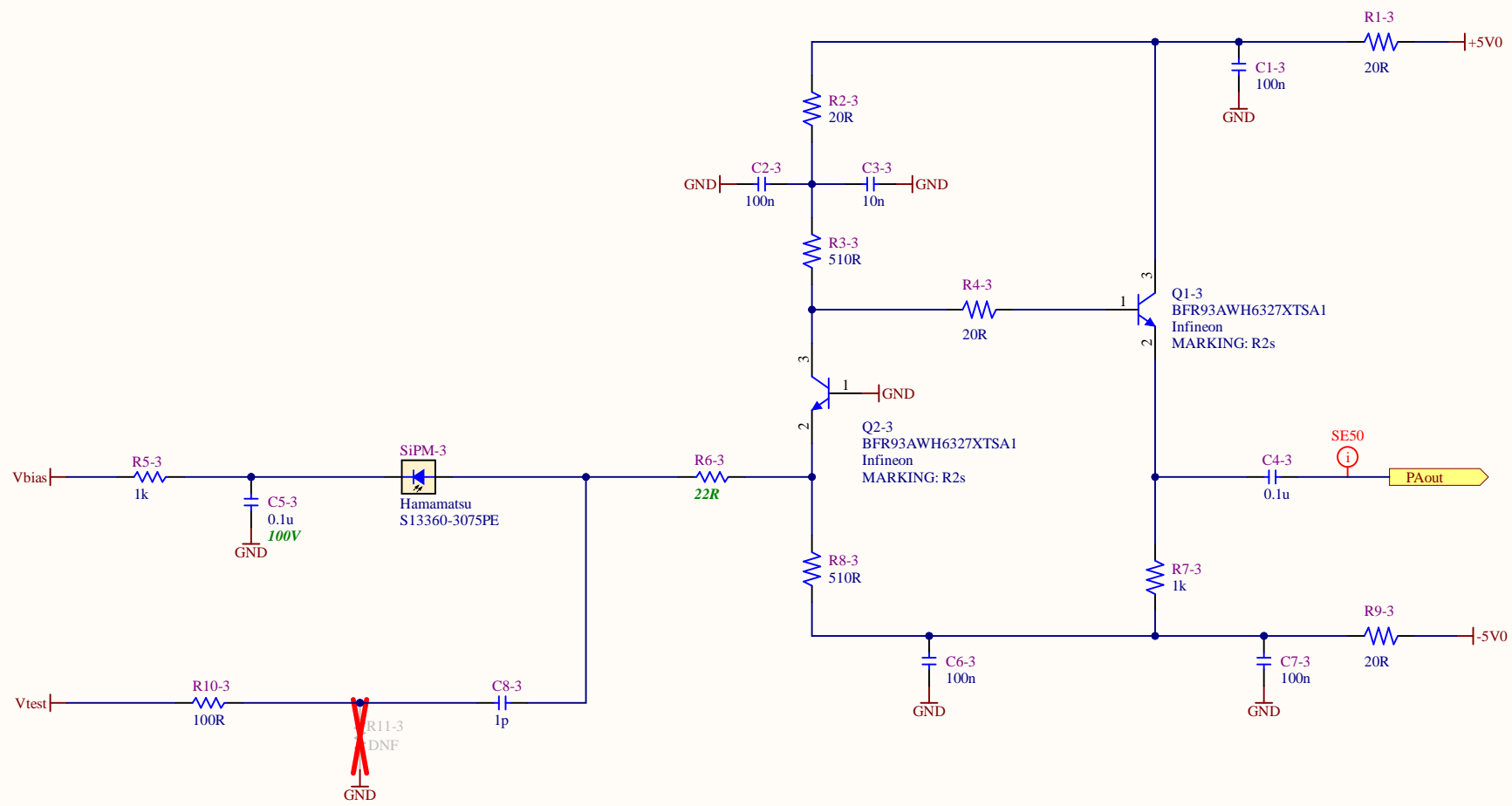
| | | |
|-----------------------------------|------------------------------------|---------------|
| Title | | |
| DarkLight - Scint - SumAmp | | |
| Size | Number | Revision |
| Letter | | Rev0-B |
| Date: | 6-20-2023 | Sheet of |
| File: | C:\Work\...\DL-Scint-SumAmp.SchDoc | Drawn By: |



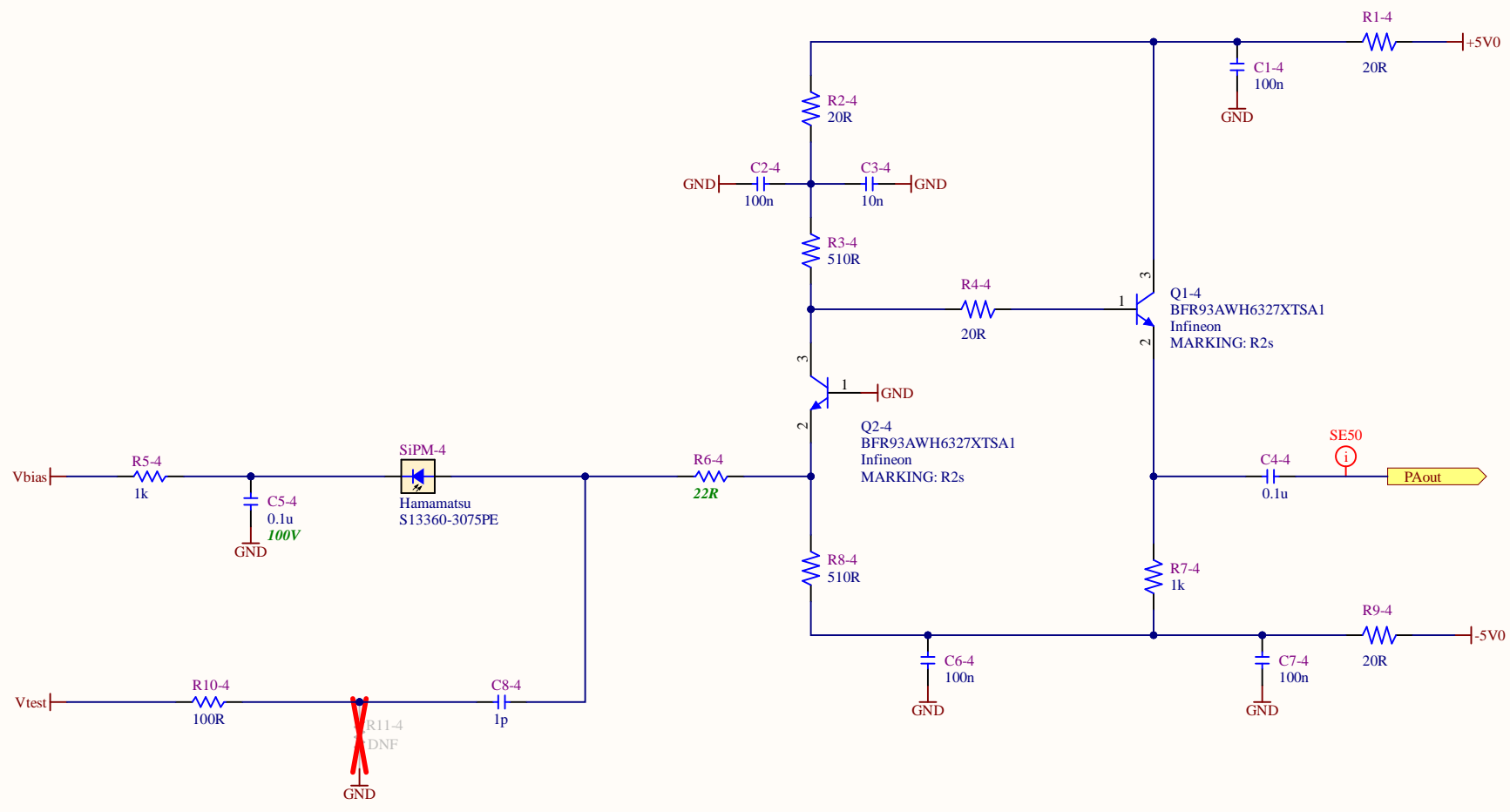
| | | |
|-----------------------------------|------------------------------------|---------------|
| Title | | |
| DarkLight - Scint - PreAmp | | |
| Size | Number | Revision |
| Letter | | Rev0-B |
| Date: | 6-20-2023 | Sheet of |
| File: | C:\Work\...\DL-Scint-PreAmp.SchDoc | Drawn By: |



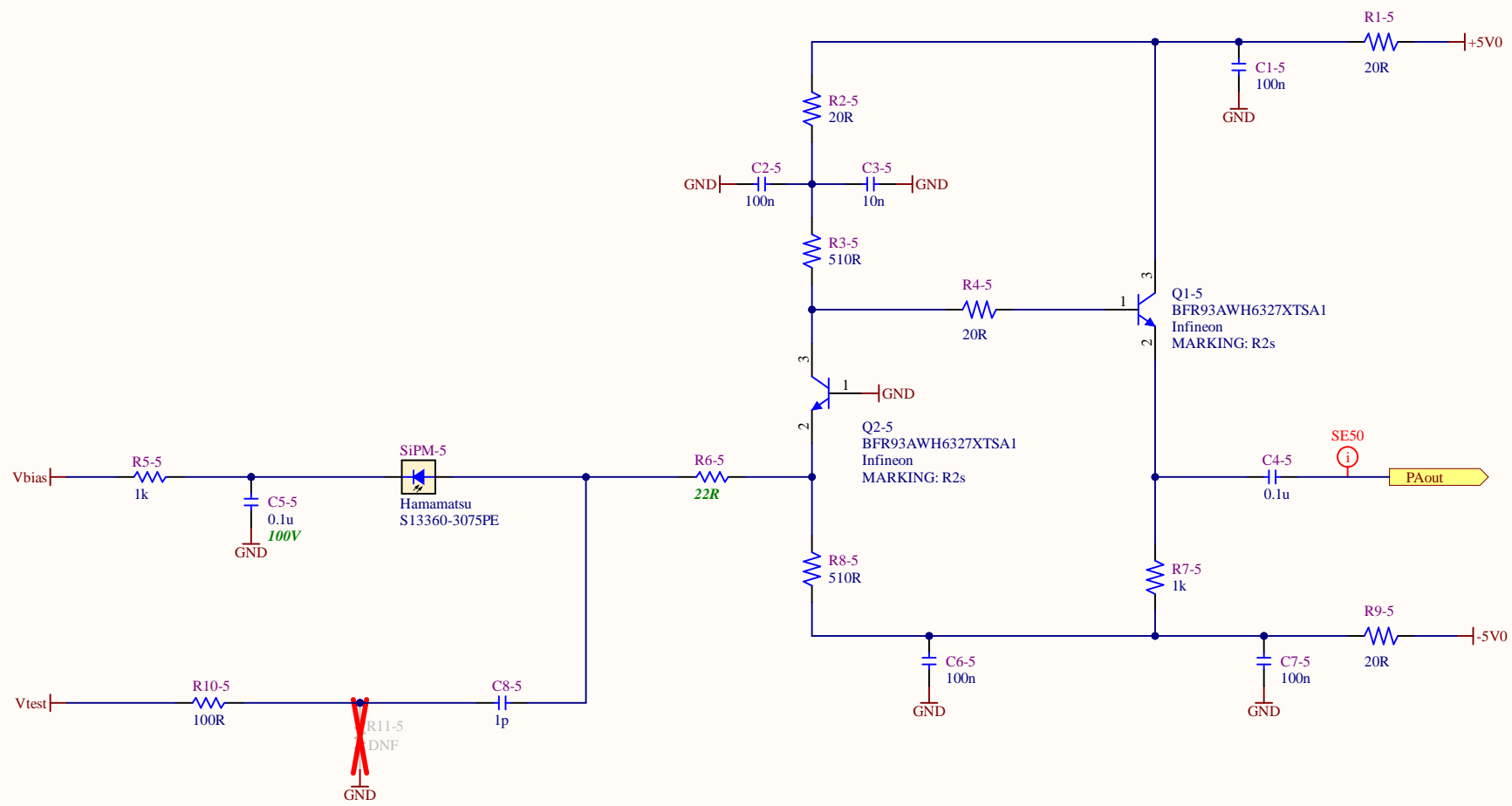
| | | |
|-----------------------------------|------------------------------------|---------------|
| Title | | |
| DarkLight - Scint - PreAmp | | |
| Size | Number | Revision |
| Letter | | Rev0-B |
| Date: | 6-20-2023 | Sheet of |
| File: | C:\Work\...\DL-Scint-PreAmp.SchDoc | Drawn By: |



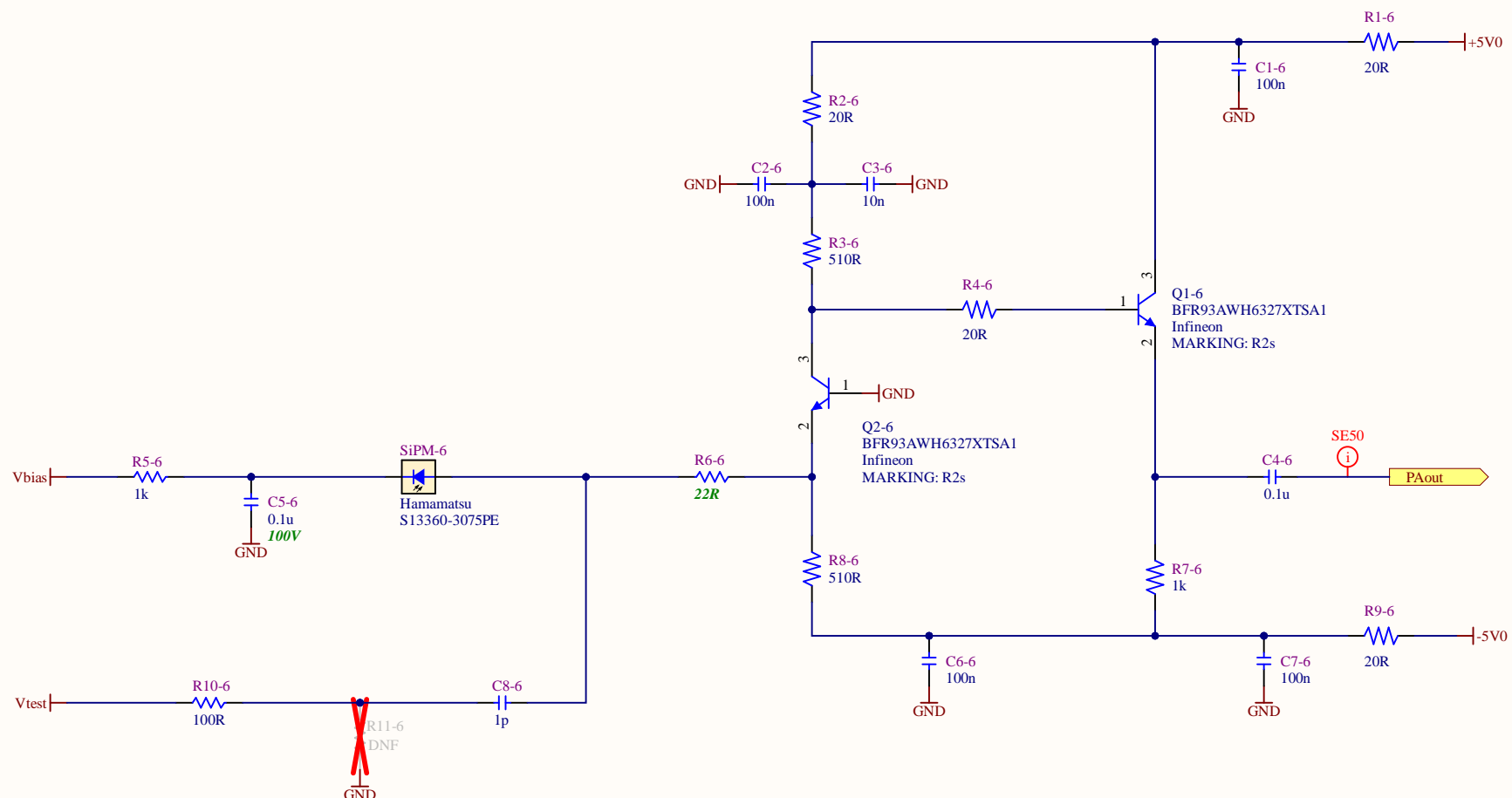
| | | |
|-----------------------------------|------------------------------------|---------------|
| Title | | |
| DarkLight - Scint - PreAmp | | |
| Size | Number | Revision |
| Letter | | Rev0-B |
| Date: | 6-20-2023 | Sheet of |
| File: | C:\Work\...\DL-Scint-PreAmp.SchDoc | Drawn By: |



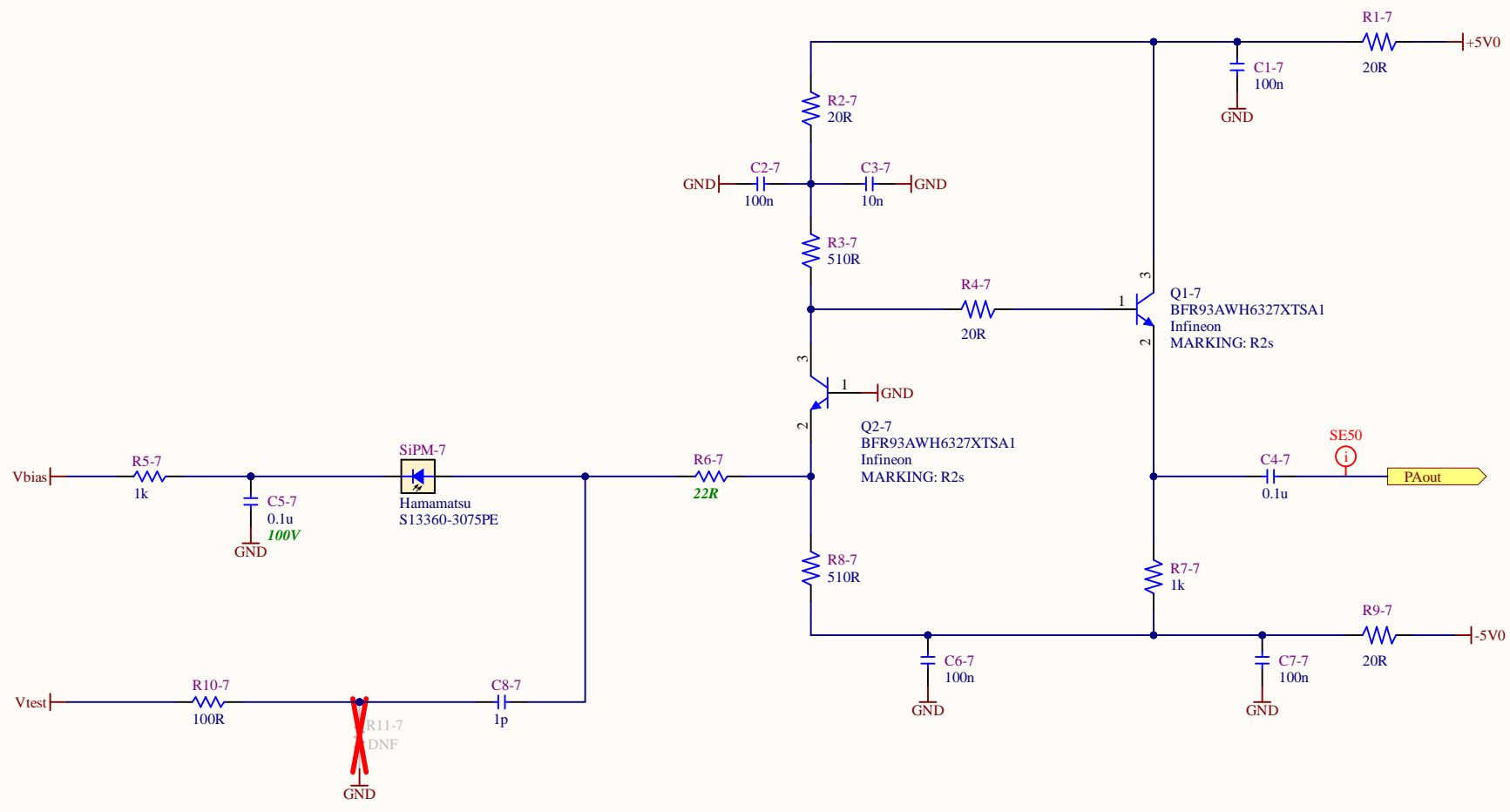
| | | |
|-----------------------------------|------------------------------------|---------------|
| Title | | |
| DarkLight - Scint - PreAmp | | |
| Size | Number | Revision |
| Letter | | Rev0-B |
| Date: | 6-20-2023 | Sheet of |
| File: | C:\Work\...\DL-Scint-PreAmp.SchDoc | Drawn By: |



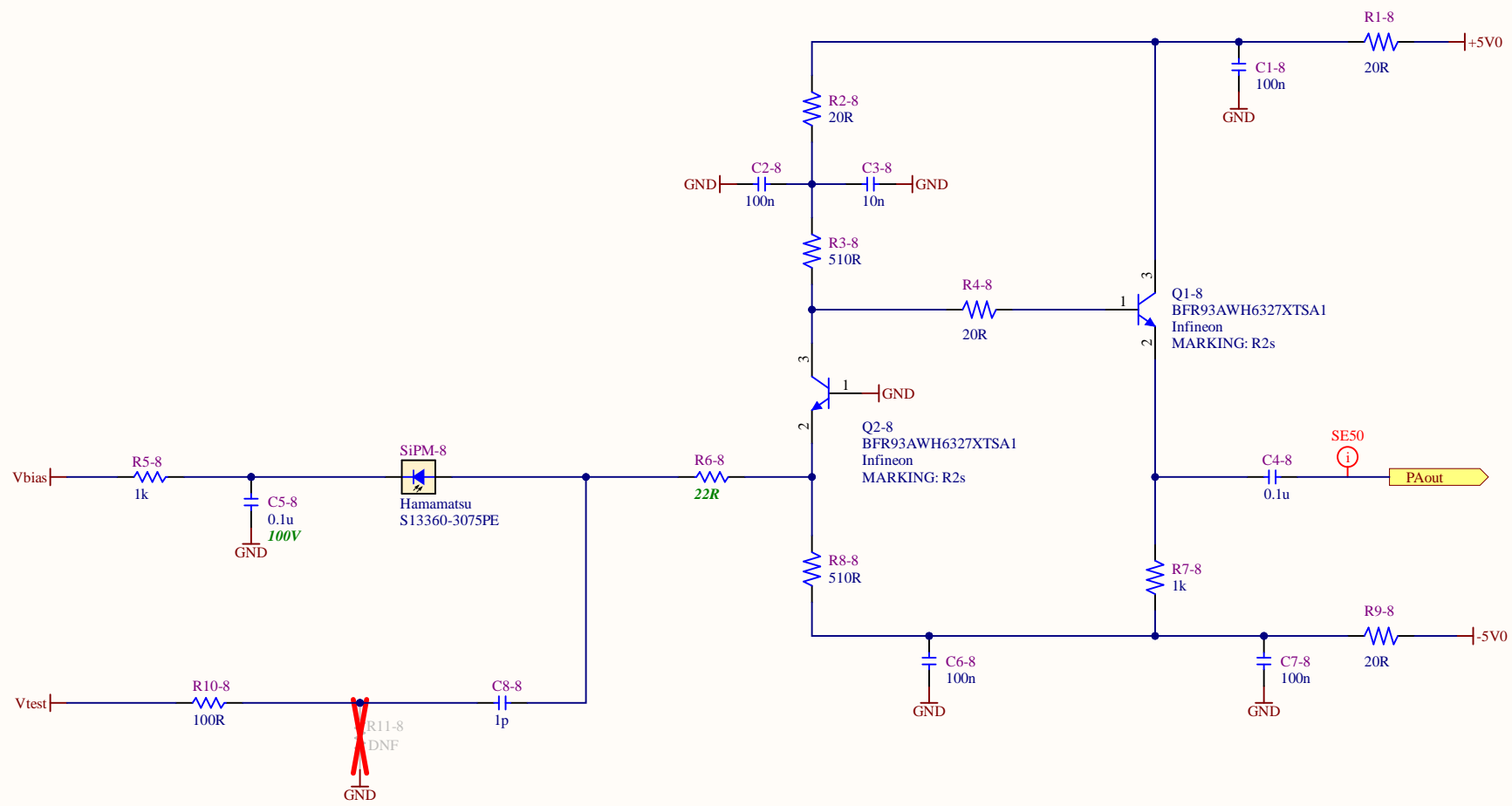
| | | |
|-----------------------------------|------------------------------------|---------------|
| Title | | |
| DarkLight - Scint - PreAmp | | |
| Size | Number | Revision |
| Letter | | Rev0-B |
| Date: | 6-20-2023 | Sheet of |
| File: | C:\Work\...\DL-Scint-PreAmp.SchDoc | Drawn By: |



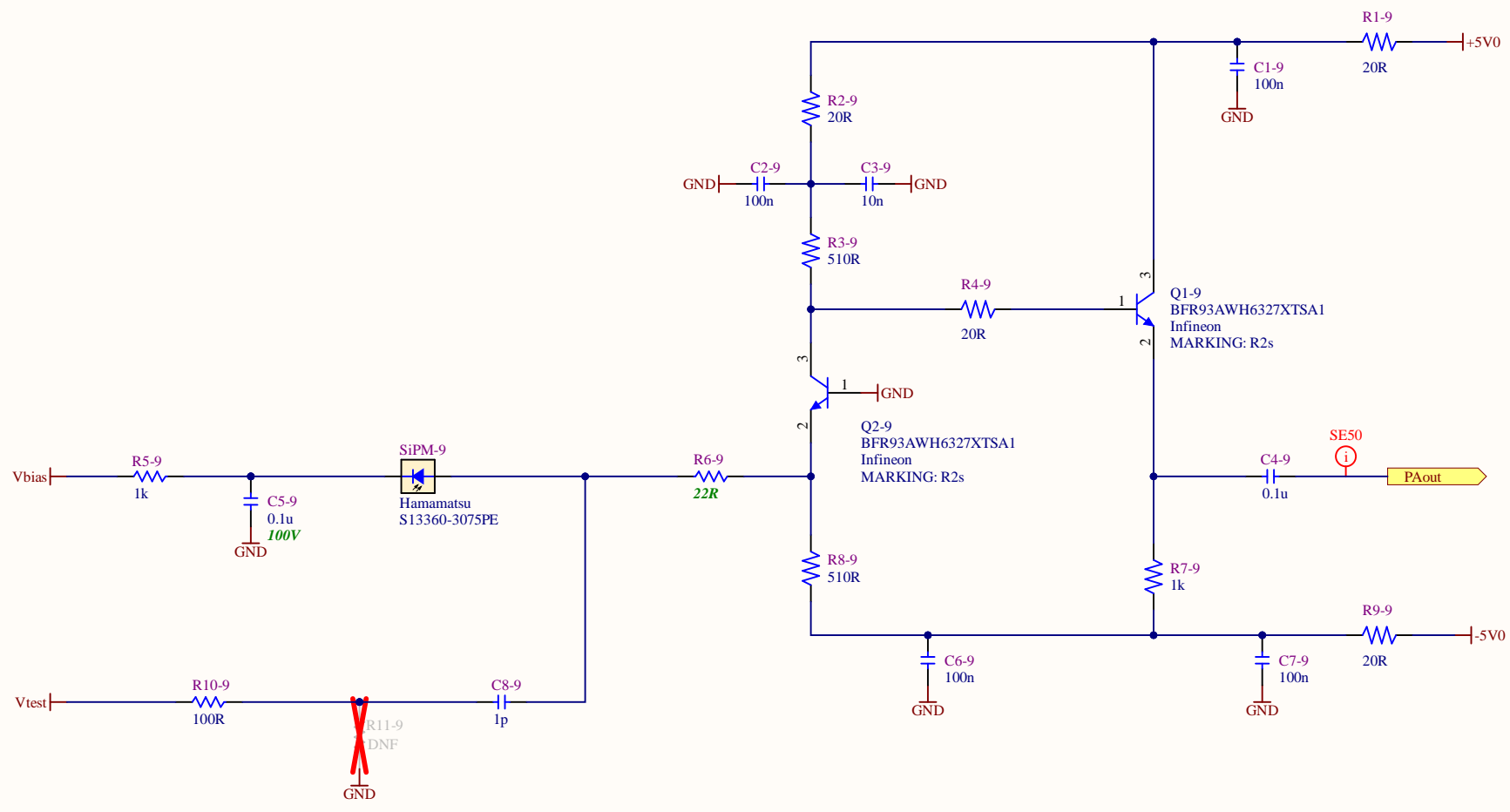
| | | |
|-----------------------------------|------------------------------------|---------------|
| Title | | |
| DarkLight - Scint - PreAmp | | |
| Size | Number | Revision |
| Letter | | Rev0-B |
| Date: | 6-20-2023 | Sheet of |
| File: | C:\Work\...\DL-Scint-PreAmp.SchDoc | Drawn By: |



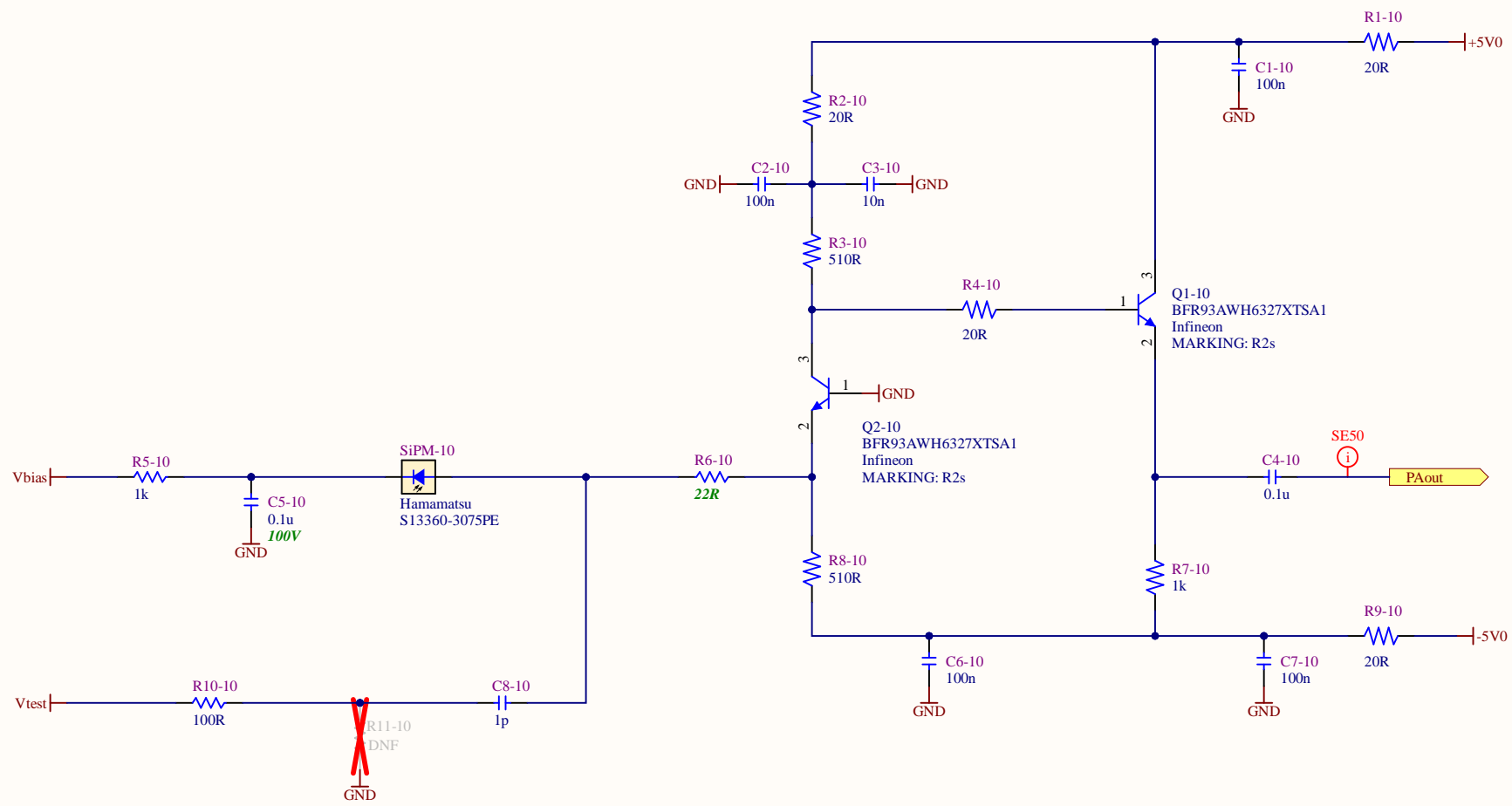
| | | |
|-----------------------------------|------------------------------------|---------------|
| Title | | |
| DarkLight - Scint - PreAmp | | |
| Size | Number | Revision |
| Letter | | Rev0-B |
| Date: | 6-20-2023 | Sheet of |
| File: | C:\Work\...\DL-Scint-PreAmp.SchDoc | Drawn By: |



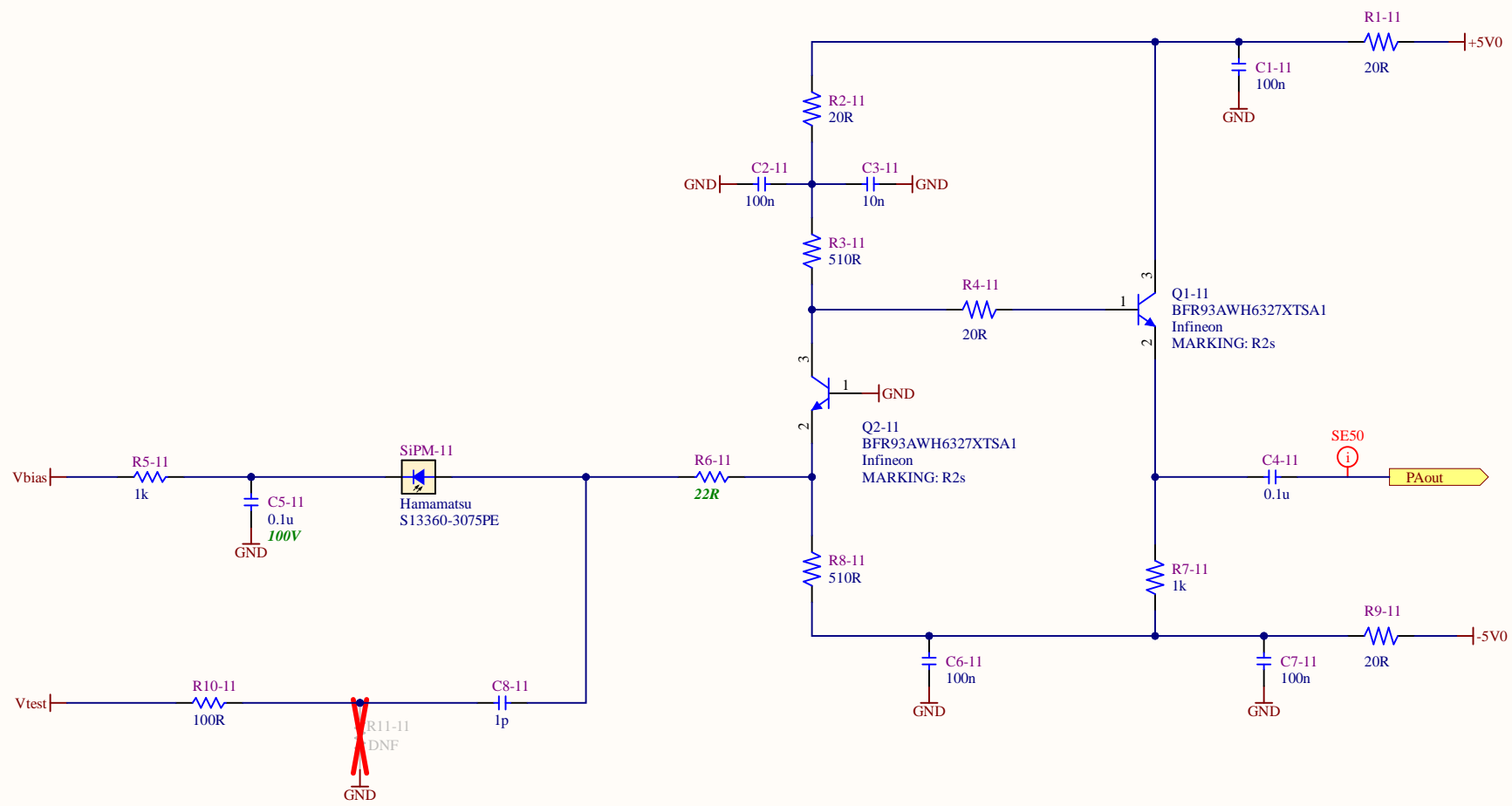
| | | |
|-----------------------------------|------------------------------------|---------------|
| Title | | |
| DarkLight - Scint - PreAmp | | |
| Size | Number | Revision |
| Letter | | Rev0-B |
| Date: | 6-20-2023 | Sheet of |
| File: | C:\Work\...\DL-Scint-PreAmp.SchDoc | Drawn By: |



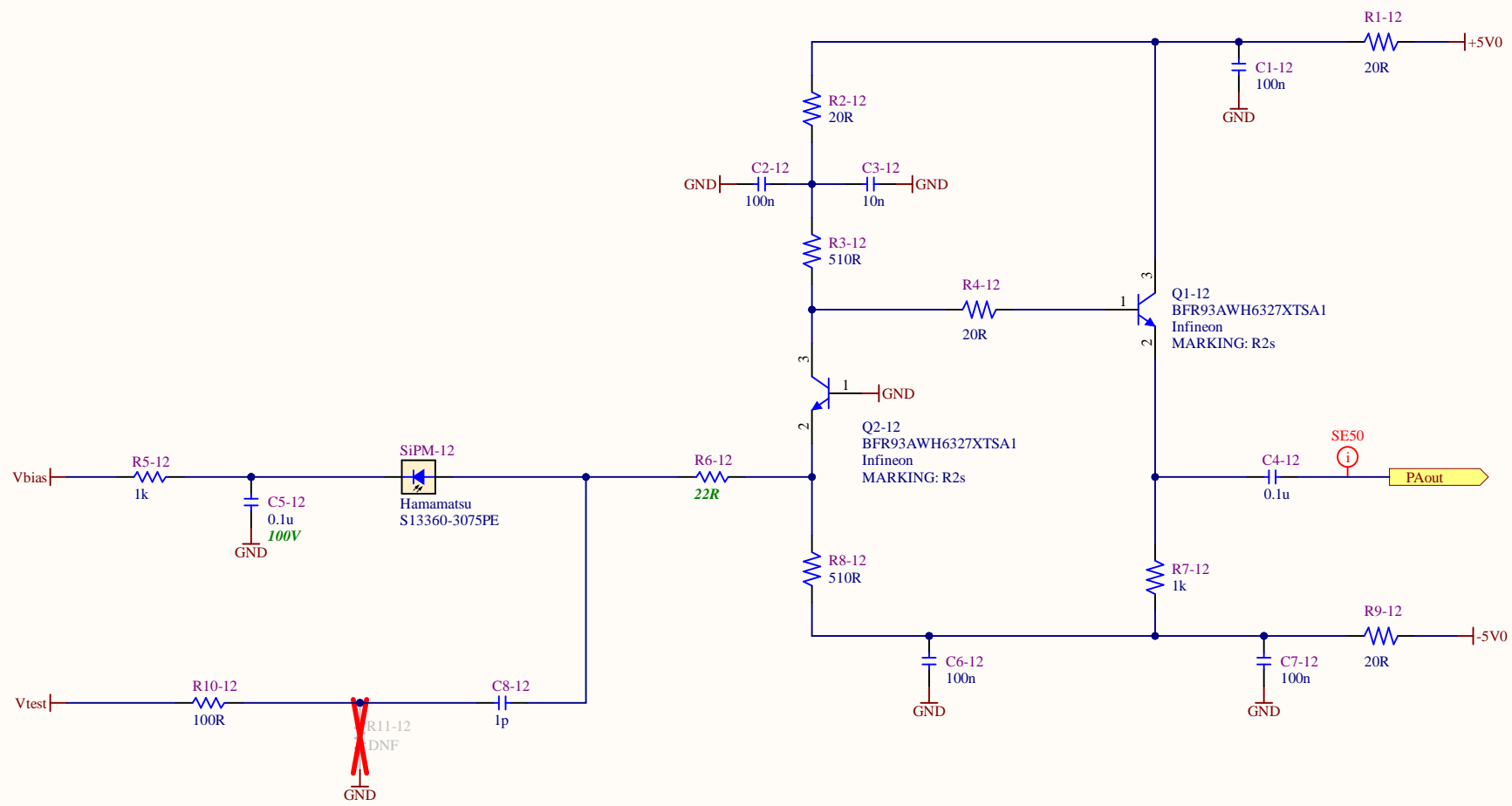
| | | |
|-----------------------------------|------------------------------------|---------------|
| Title | | |
| DarkLight - Scint - PreAmp | | |
| Size | Number | Revision |
| Letter | | Rev0-B |
| Date: | 6-20-2023 | Sheet of |
| File: | C:\Work\...\DL-Scint-PreAmp.SchDoc | Drawn By: |



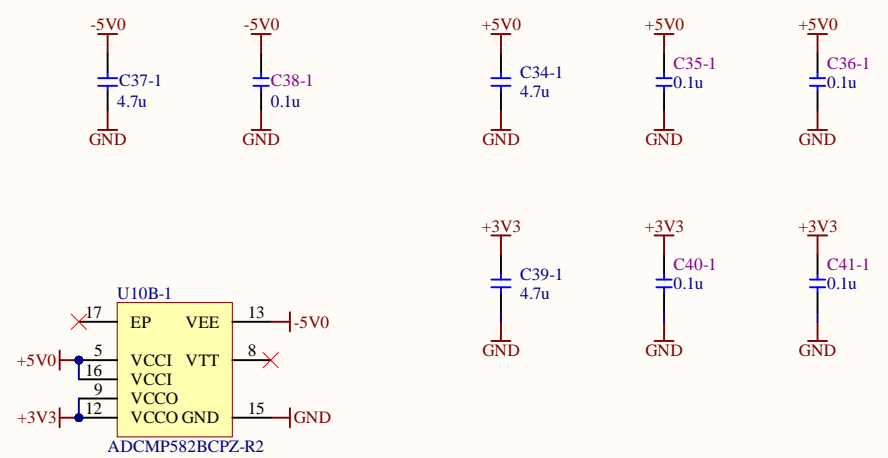
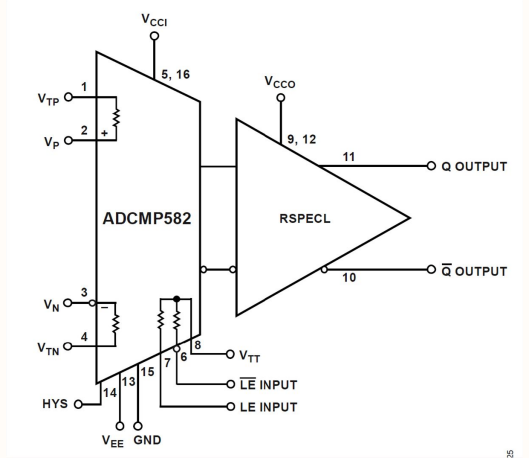
| | | |
|-----------------------------------|------------------------------------|---------------|
| Title | | |
| DarkLight - Scint - PreAmp | | |
| Size | Number | Revision |
| Letter | | Rev0-B |
| Date: | 6-20-2023 | Sheet of |
| File: | C:\Work\...\DL-Scint-PreAmp.SchDoc | Drawn By: |



| | | |
|-----------------------------------|------------------------------------|---------------|
| Title | | |
| DarkLight - Scint - PreAmp | | |
| Size | Number | Revision |
| Letter | | Rev0-B |
| Date: | 6-20-2023 | Sheet of |
| File: | C:\Work\...\DL-Scint-PreAmp.SchDoc | Drawn By: |



| | | |
|-----------------------------------|------------------------------------|---------------|
| Title | | |
| DarkLight - Scint - PreAmp | | |
| Size | Number | Revision |
| Letter | | Rev0-B |
| Date: | 6-20-2023 | Sheet of |
| File: | C:\Work\...\DL-Scint-PreAmp.SchDoc | Drawn By: |

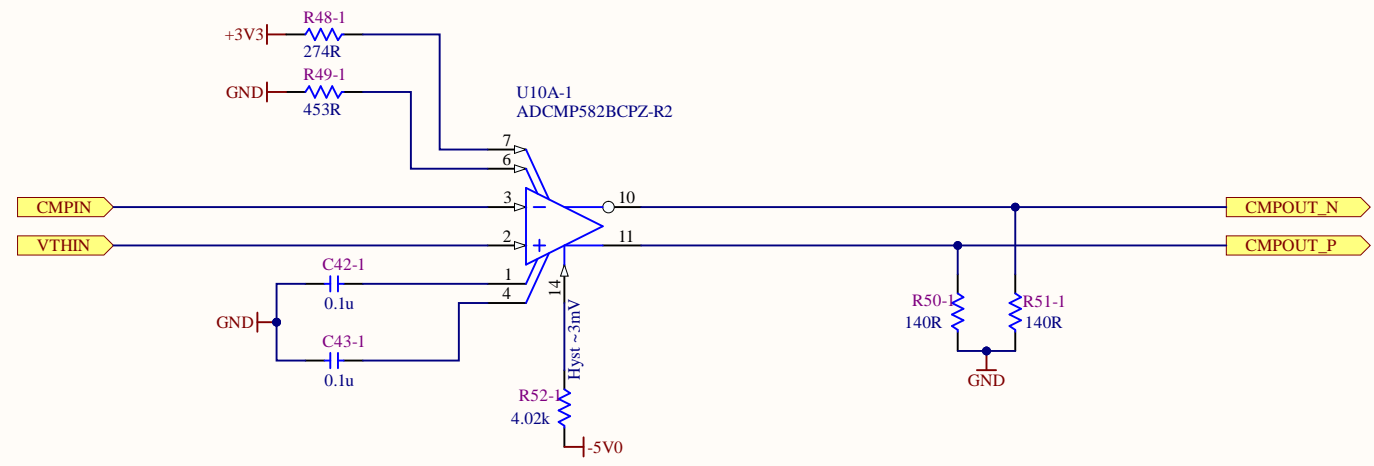


ADCMP582 (PECL)

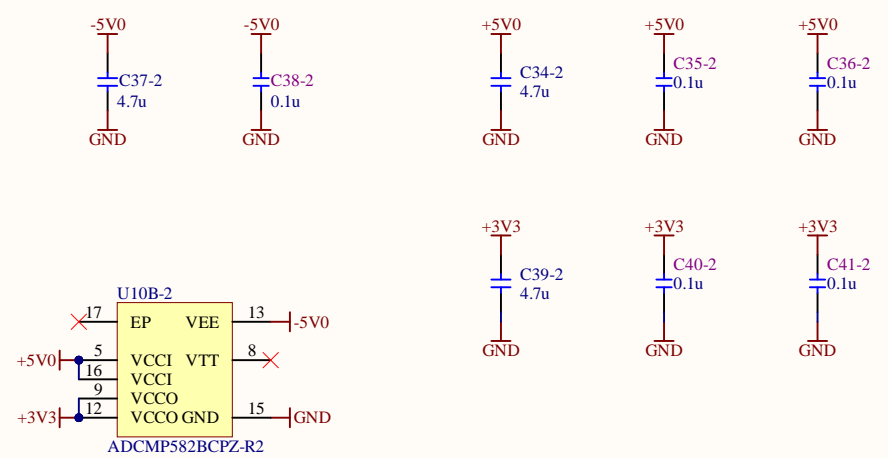
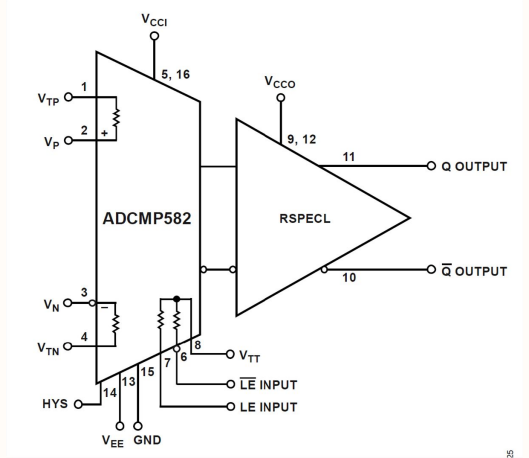
| | | | | |
|---------------------------------|------------------------|-----|------------------------|---|
| Latch Enable Input Range | | | | |
| Latch Enable Input Differential | | | | |
| | V _{CC0} - 1.8 | | V _{CC0} - 0.8 | V |
| | 0.2 | 0.4 | 0.5 | V |

Latch disabled = $\text{Log I} = \text{LE}_P - \text{LE}_N = 0.4\text{V}$
 LEpins are terminated 50R to Vtt pin

$0.4\text{V}/100\text{R} = 4\text{mA}$
 $3.3\text{V}/4\text{mA} = 825\text{R}$



| | | | | | |
|--------|--|--|--------------------------------|--|---------|
| Title | | | DarkLight - Scint - Comparator | | |
| Size | Number | | Revision | | Rev 0-B |
| Letter | | | | | |
| Date: | 6-20-2023 | | Sheet of | | |
| File: | C:\Work\...\DL-Scint-Comparator.SchDoc | | Drawn By: | | |

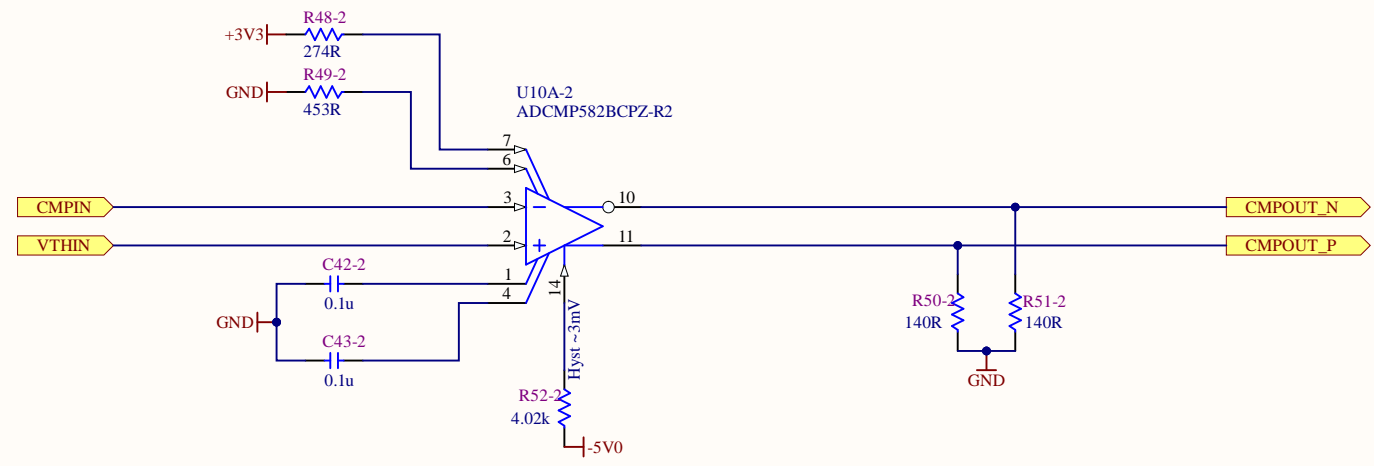


ADCMP582 (PECL)

| | | | | |
|---------------------------------|------------------------|-----|------------------------|---|
| Latch Enable Input Range | | | | |
| Latch Enable Input Differential | | | | |
| | V _{CC0} - 1.8 | | V _{CC0} - 0.8 | V |
| | 0.2 | 0.4 | 0.5 | V |

Latch disabled = $\text{Log I} = \text{LE}_P - \text{LE}_N = 0.4\text{V}$
 LEpins are terminated 50R to Vtt pin

$0.4\text{V}/100\text{R} = 4\text{mA}$
 $3.3\text{V}/4\text{mA} = 825\text{R}$



| | | | | | |
|--------|--|--|--------------------------------|--|---------|
| Title | | | DarkLight - Scint - Comparator | | |
| Size | Number | | Revision | | Rev 0-B |
| Letter | | | | | |
| Date: | 6-20-2023 | | Sheet of | | |
| File: | C:\Work\...\DL-Scint-Comparator.SchDoc | | Drawn By: | | |