

A

B

C

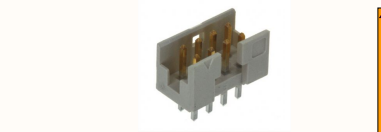
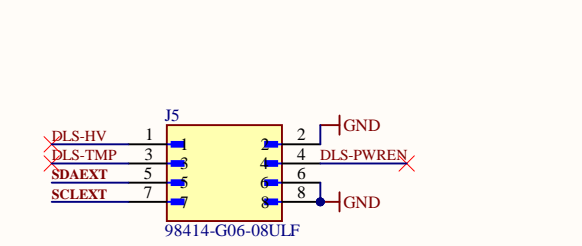
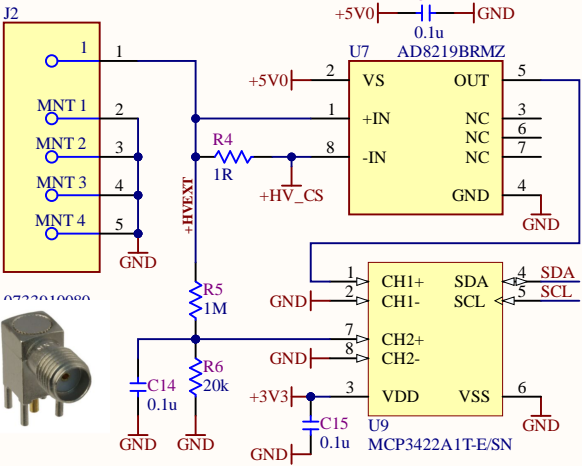
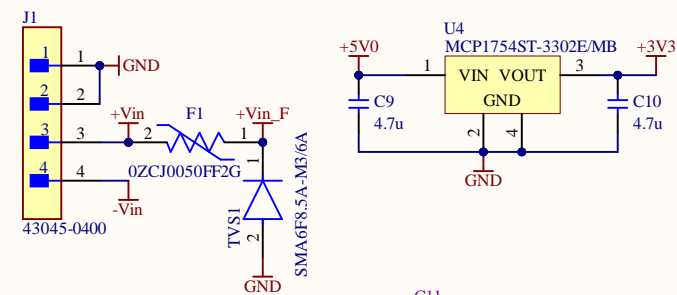
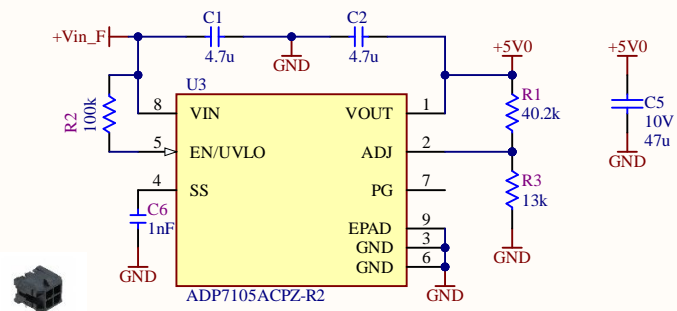
D

A

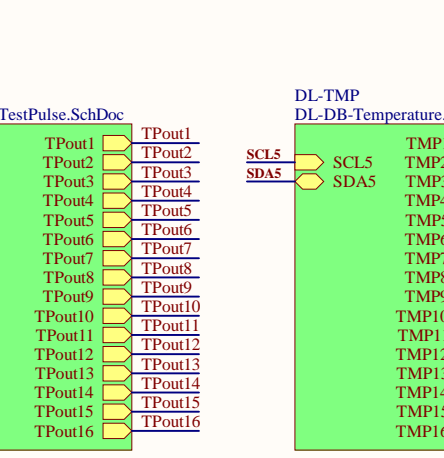
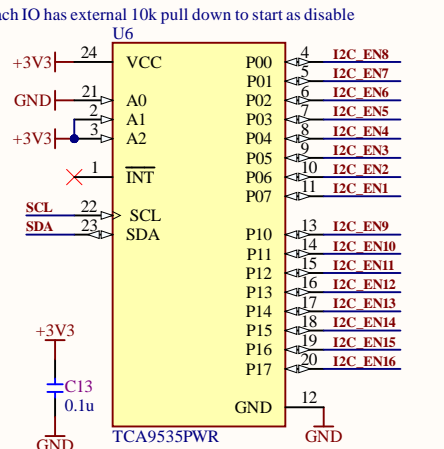
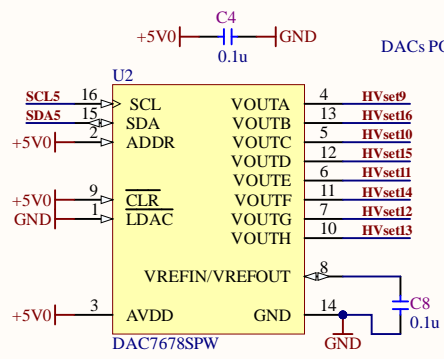
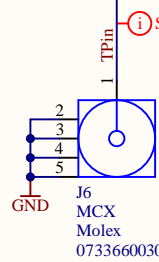
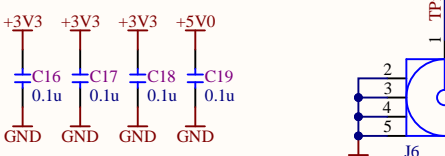
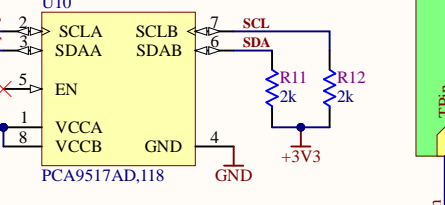
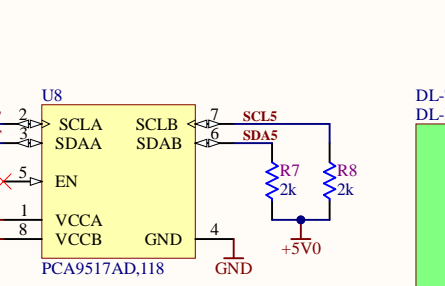
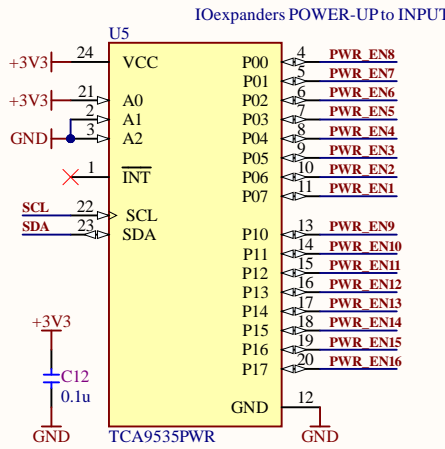
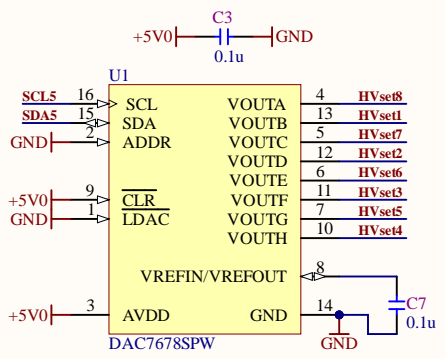
B

C

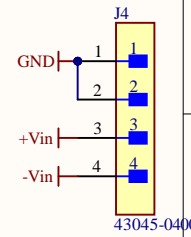
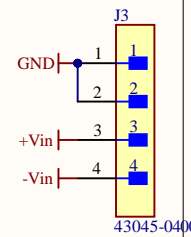
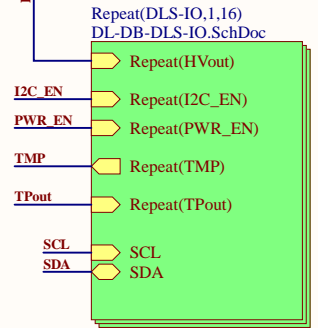
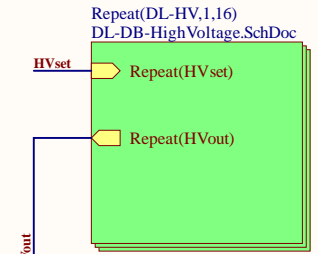
D

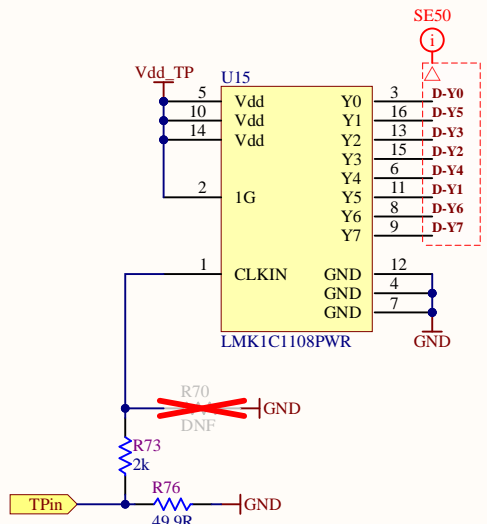
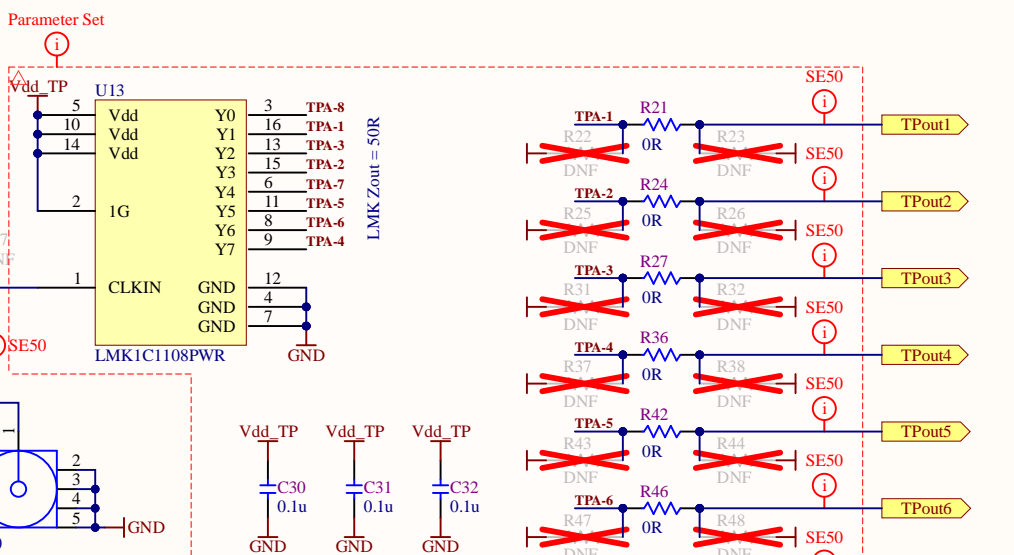
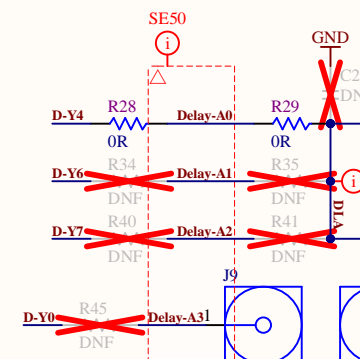
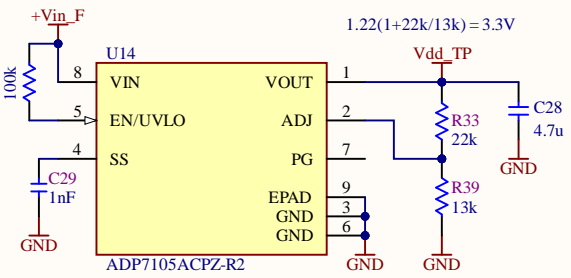
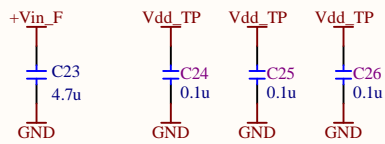


HW modifications for Rev0-A
 R4 = 2x parallel 1R 0.1% 25ppm (FSR 70mA)
 R11, R12 = 1k

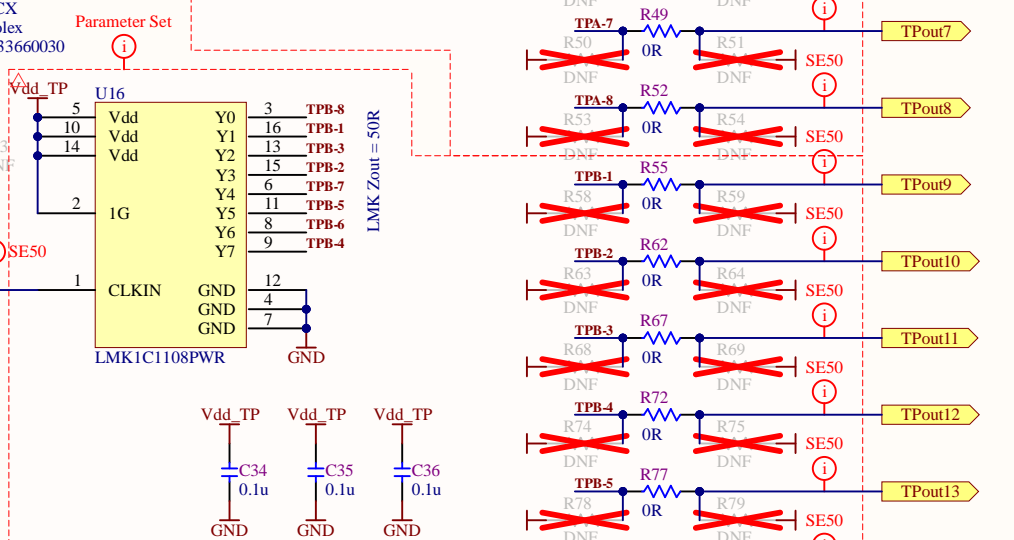
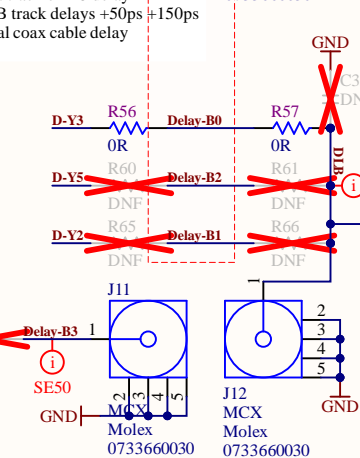


| | | | | | |
|--------|--------------------------|--|---------------------------------|--|--|
| Title | | | DarkLight DistributionBoard Top | | |
| Size | Number | | Revision | | |
| Letter | | | Rev 0-A | | |
| Date: | 12-07-2023 | | Sheet of | | |
| File: | C:\Work\DL-DB-Top.SchDoc | | Drawn By: | | |

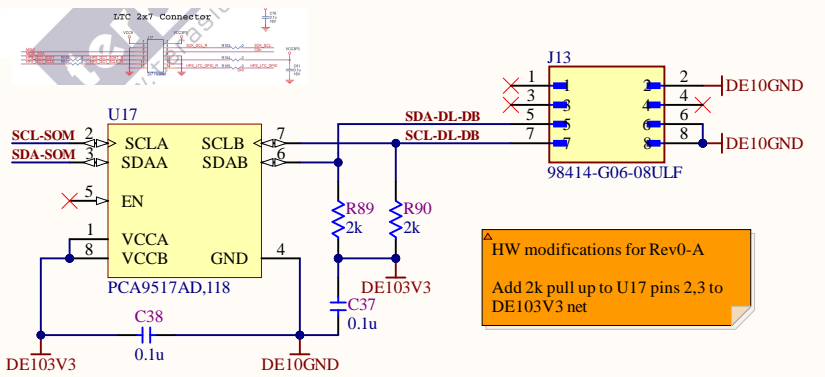




To match LMKs propagation delays one of the Delay-Ax or Bx will be used.
 A/B0 default track or RC delay
 A/B1 (2) PCB track delays +50ps +150ps
 A/B3 External coax cable delay

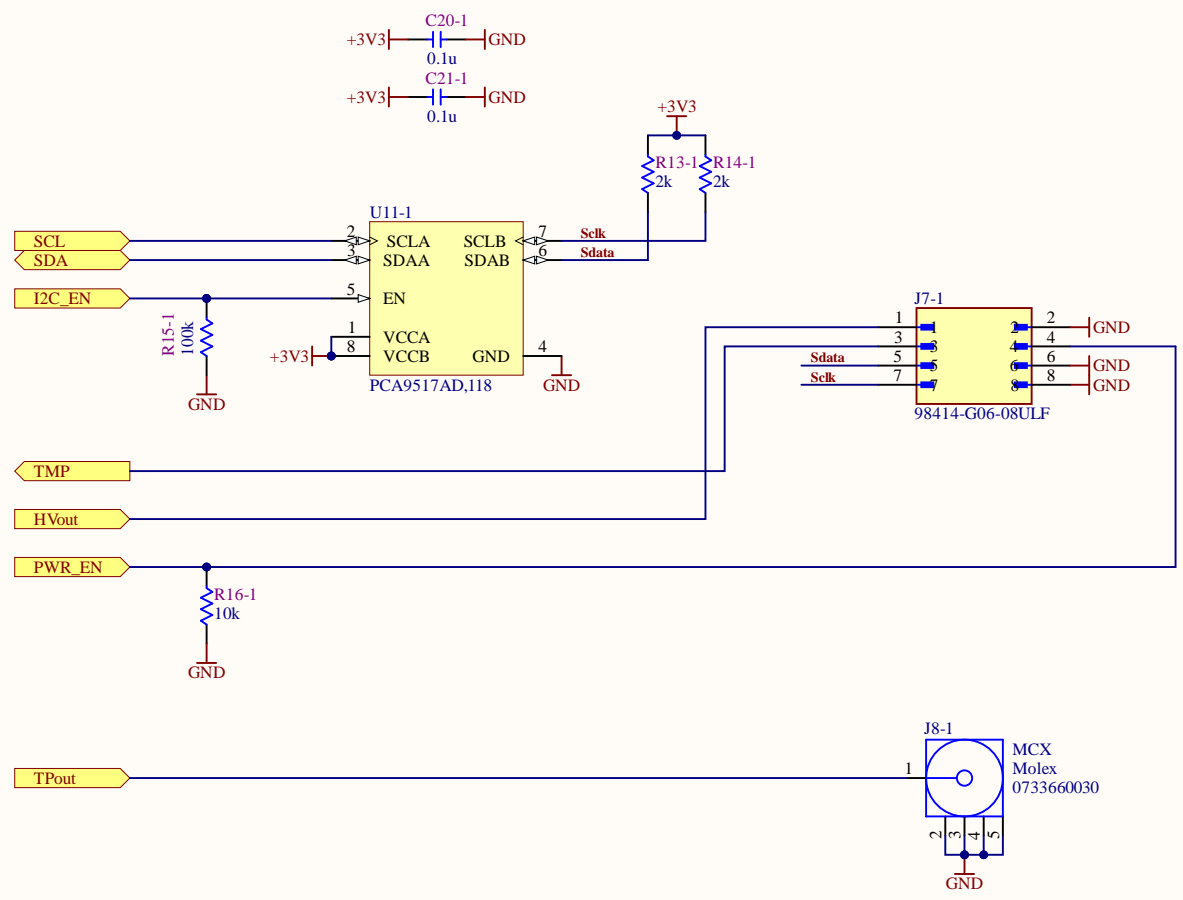


Circuit to drive I2C from DE10
 Break out adapter board - LTC DE10 connector to DL-xx

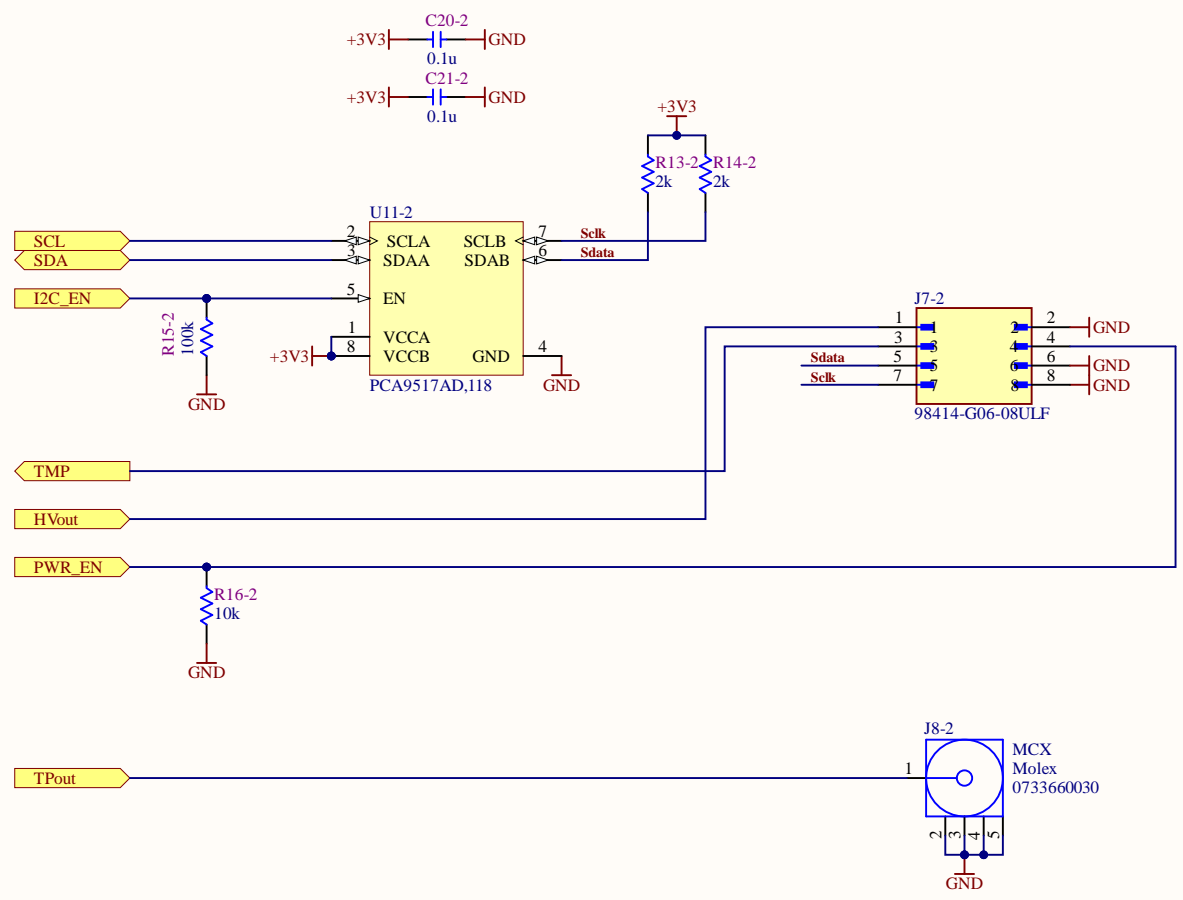


HW modifications for Rev-0-A
 Add 2k pull up to U17 pins 2,3 to DE103V3 net

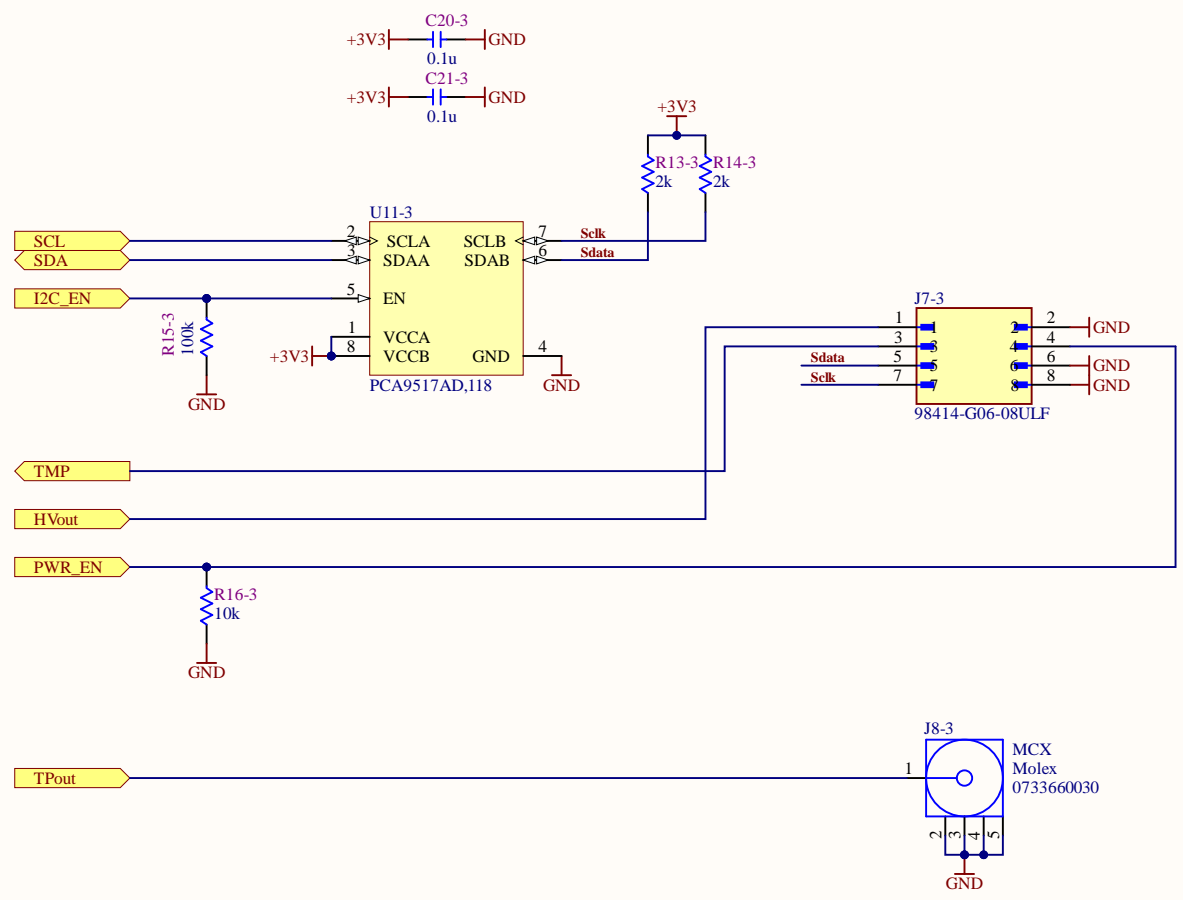
| | | |
|--|--------------------------------|---------------|
| Title | | |
| DarkLight DistributionBoard TestPulse | | |
| Size | Number | Revision |
| Letter | | Rev0-A |
| Date: | 12-07-2023 | Sheet of |
| File: | C:\Work\DL-DB-TestPulse.SchDoc | Drawn By: |



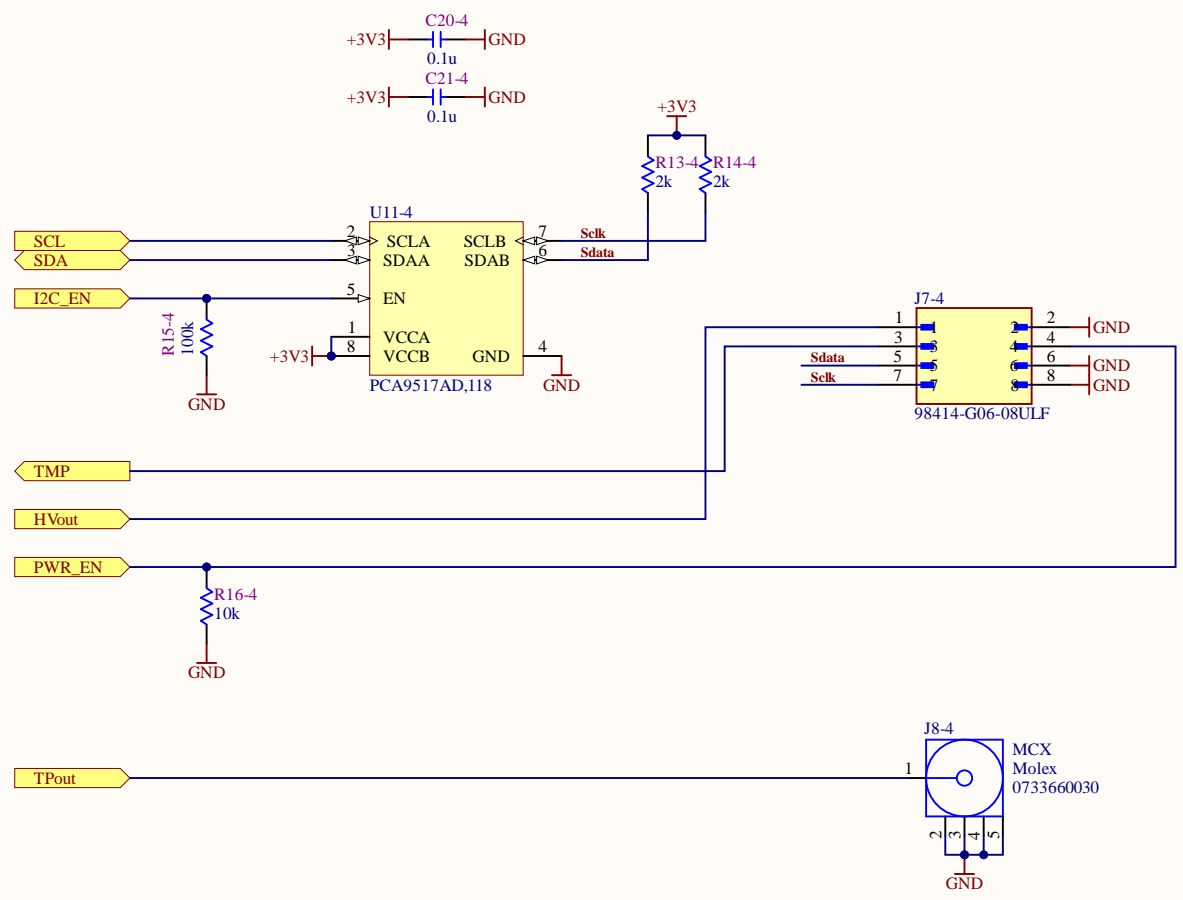
| | | |
|---|---------------------------------|---------------|
| Title | | |
| DarkLight DistributionBoard Scint IO | | |
| Size | Number | Revision |
| Letter | | Rev0-A |
| Date: | 12-07-2023 | Sheet of |
| File: | C:\Work\...\DL-DB-DLS-IO.SchDoc | Drawn By: |



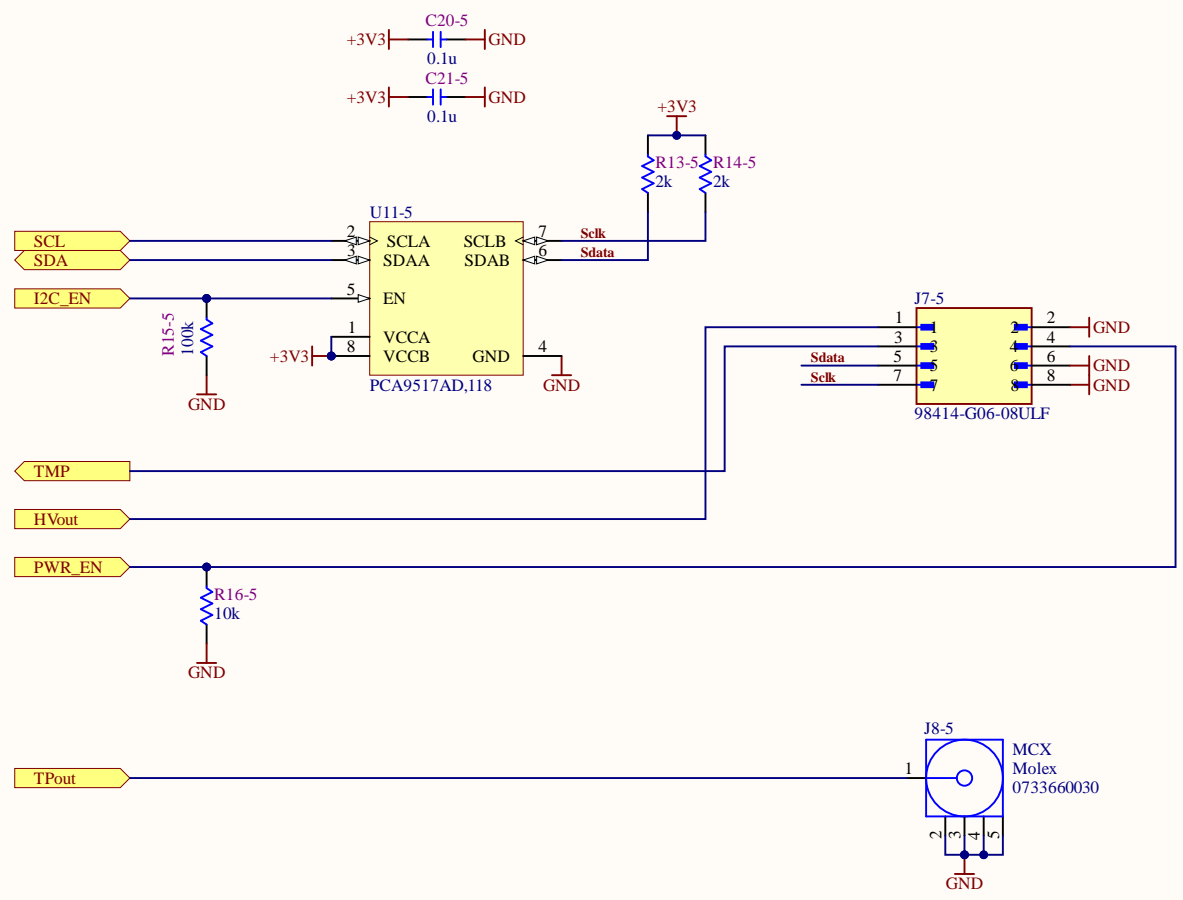
| | | | | | |
|--------|---------------------------------|--|---|--|--|
| Title | | | DarkLight DistributionBoard Scint IO | | |
| Size | Number | | Revision | | |
| Letter | | | Rev0-A | | |
| Date: | 12-07-2023 | | Sheet of | | |
| File: | C:\Work\...\DL-DB-DLS-IO.SchDoc | | Drawn By: | | |



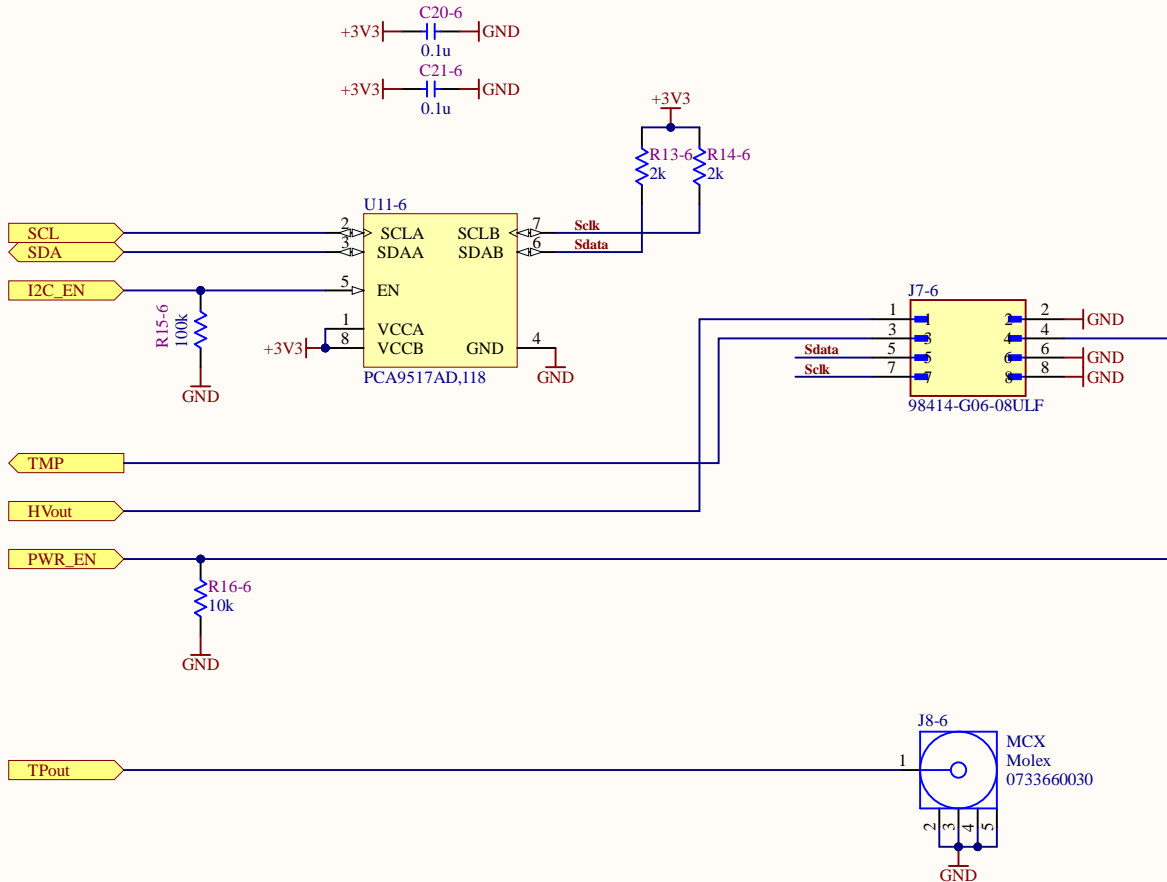
| | | |
|---|---------------------------------|---------------|
| Title | | |
| DarkLight DistributionBoard Scint IO | | |
| Size | Number | Revision |
| Letter | | Rev0-A |
| Date: | 12-07-2023 | Sheet of |
| File: | C:\Work\...\DL-DB-DLS-IO.SchDoc | Drawn By: |



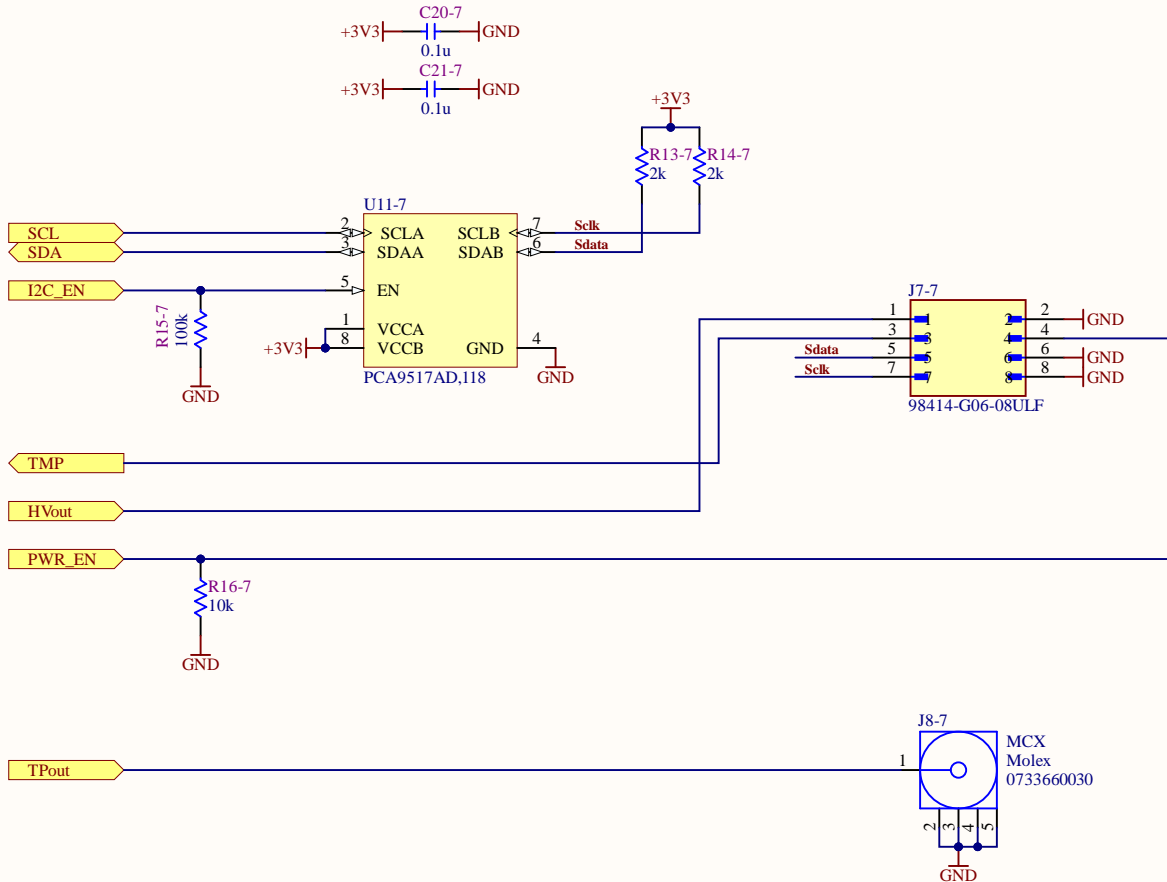
| | | |
|---|---------------------------------|---------------|
| Title | | |
| DarkLight DistributionBoard Scint IO | | |
| Size | Number | Revision |
| Letter | | Rev0-A |
| Date: | 12-07-2023 | Sheet of |
| File: | C:\Work\...\DL-DB-DLS-IO.SchDoc | Drawn By: |



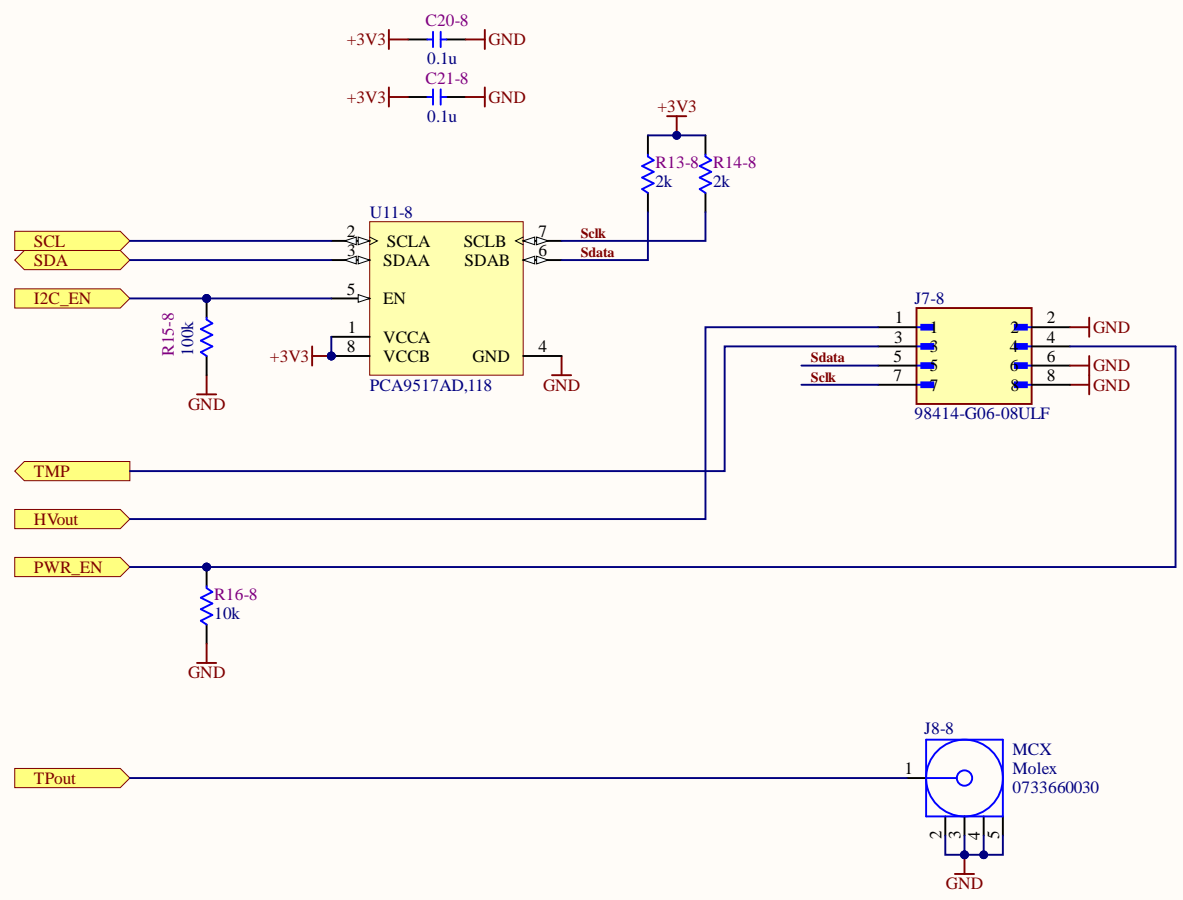
| | | | | | |
|--------|---------------------------------|--|---|--|---------------|
| Title | | | DarkLight DistributionBoard Scint IO | | |
| Size | Number | | Revision | | Rev0-A |
| Letter | | | | | |
| Date: | 12-07-2023 | | Sheet of | | |
| File: | C:\Work\...\DL-DB-DLS-IO.SchDoc | | Drawn By: | | |



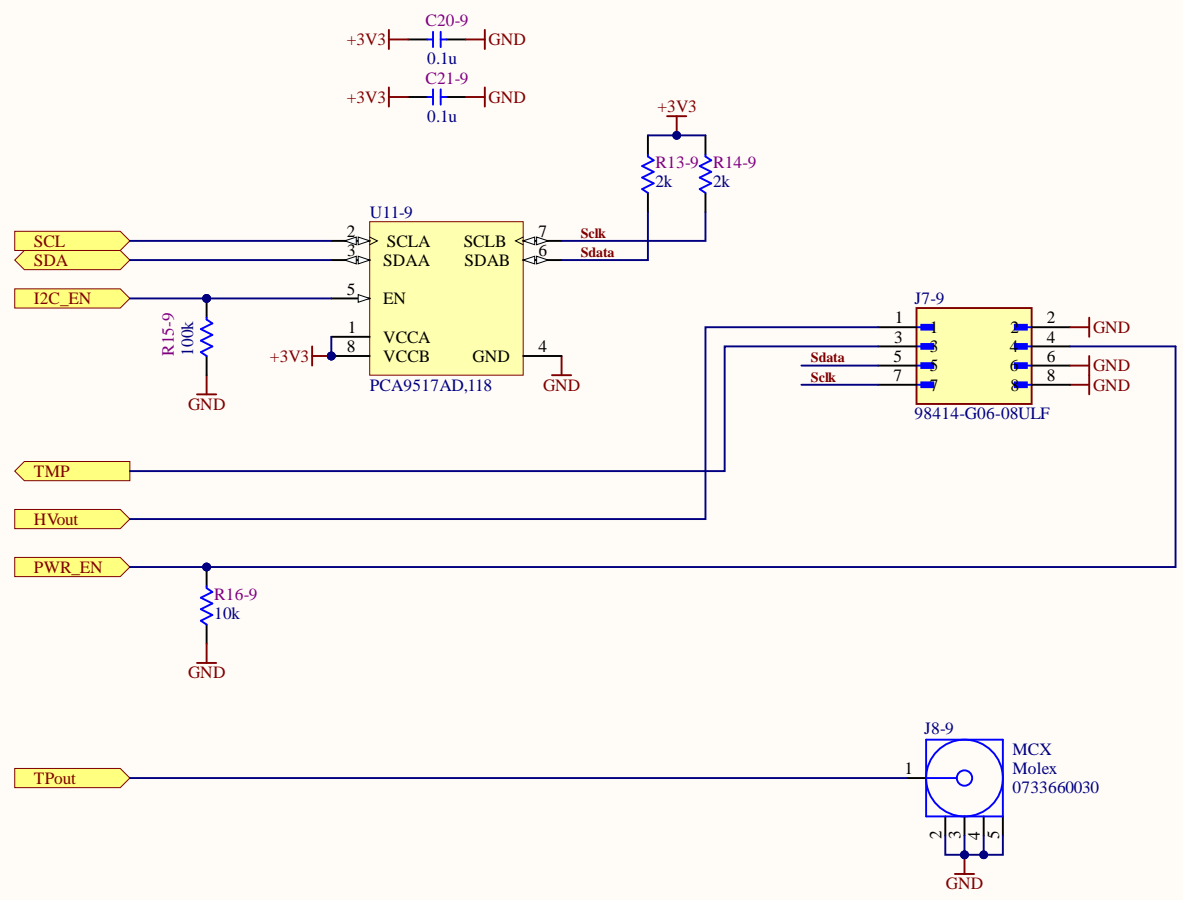
| | | | | | |
|--------|---------------------------------|--|---|--|---------------|
| Title | | | DarkLight DistributionBoard Scint IO | | |
| Size | Number | | Revision | | Rev0-A |
| Letter | | | | | |
| Date: | 12-07-2023 | | Sheet of | | |
| File: | C:\Work\...\DL-DB-DLS-IO.SchDoc | | Drawn By: | | |



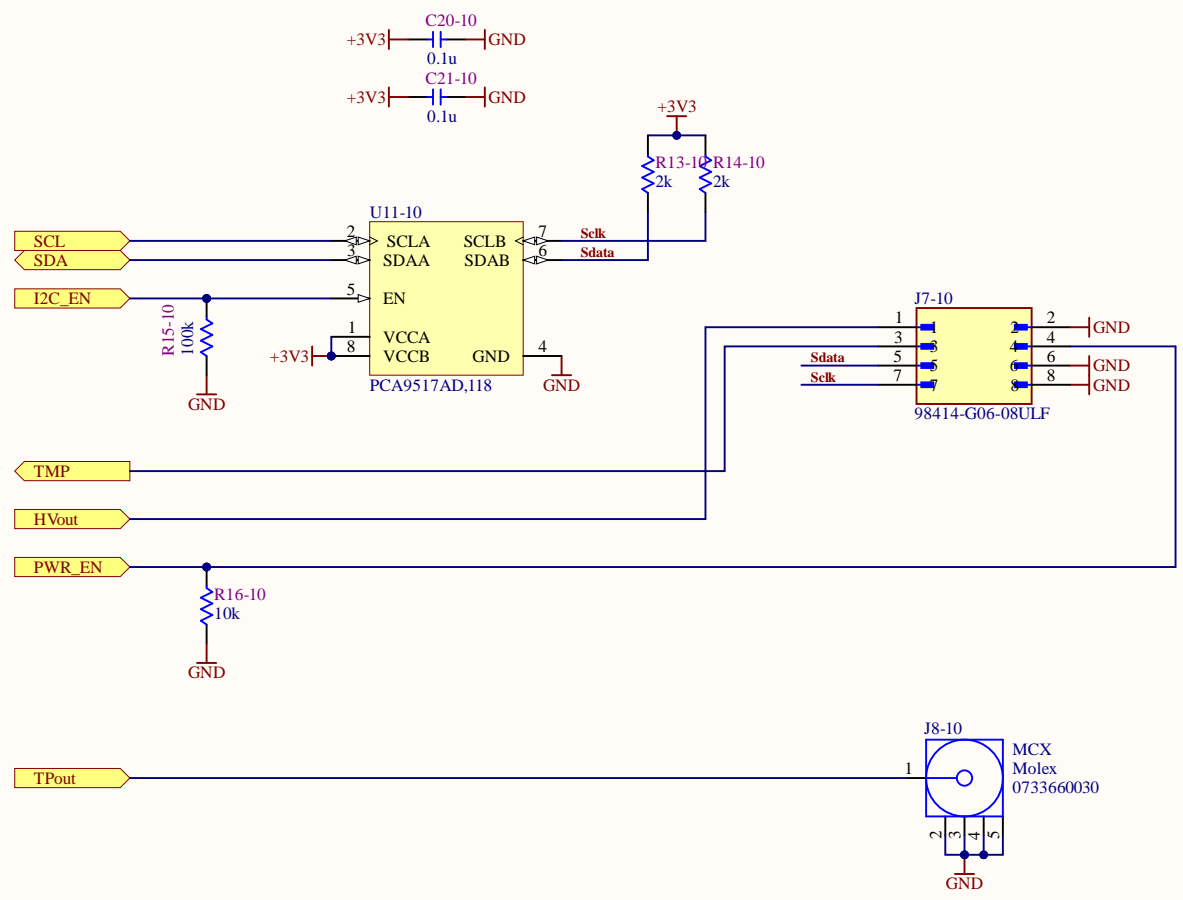
| | | | | | |
|--------|---------------------------------|--|---|--|---------------|
| Title | | | DarkLight DistributionBoard Scint IO | | |
| Size | Number | | Revision | | Rev0-A |
| Letter | | | | | |
| Date: | 12-07-2023 | | Sheet of | | |
| File: | C:\Work\...\DL-DB-DLS-IO.SchDoc | | Drawn By: | | |



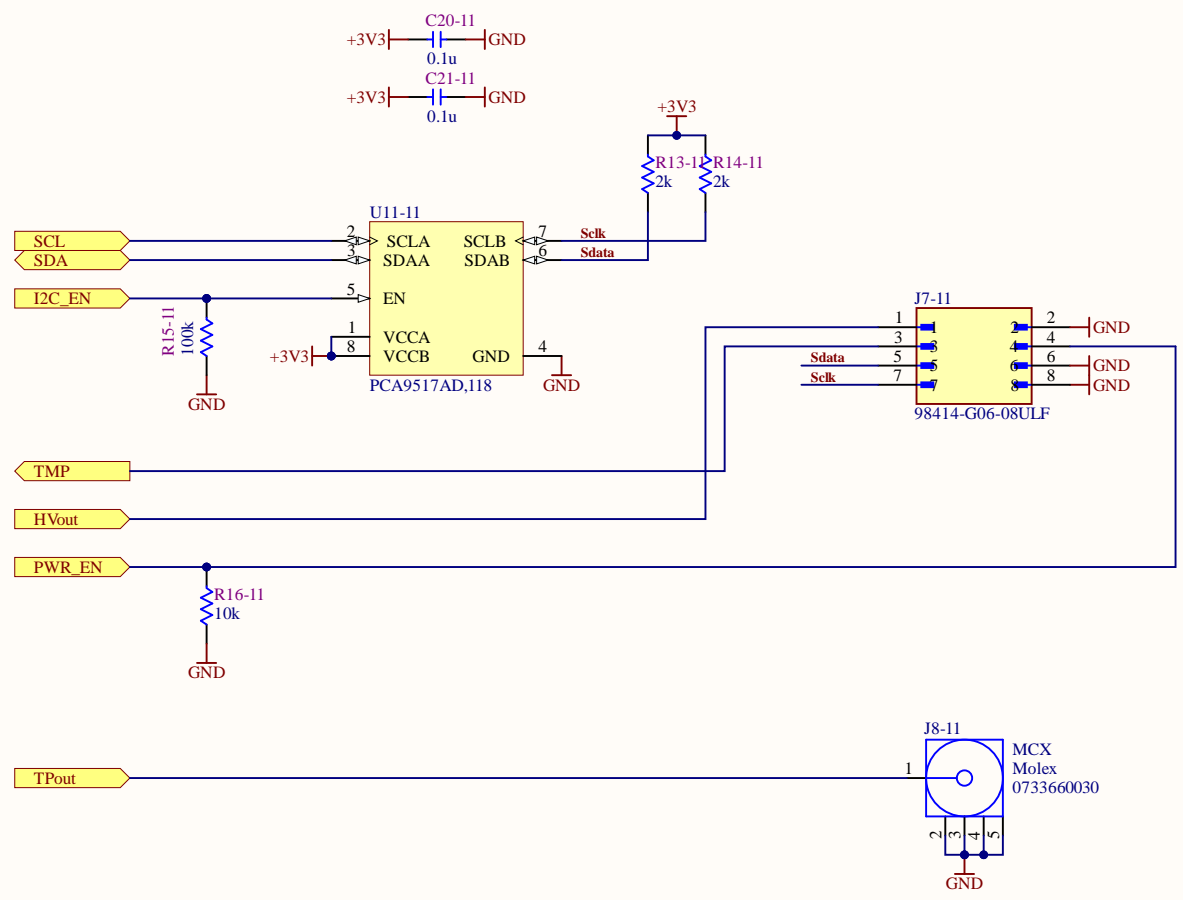
| | | | | | |
|--------|---------------------------------|--|---|--|--|
| Title | | | DarkLight DistributionBoard Scint IO | | |
| Size | Number | | Revision | | |
| Letter | | | Rev0-A | | |
| Date: | 12-07-2023 | | Sheet of | | |
| File: | C:\Work\...\DL-DB-DLS-IO.SchDoc | | Drawn By: | | |



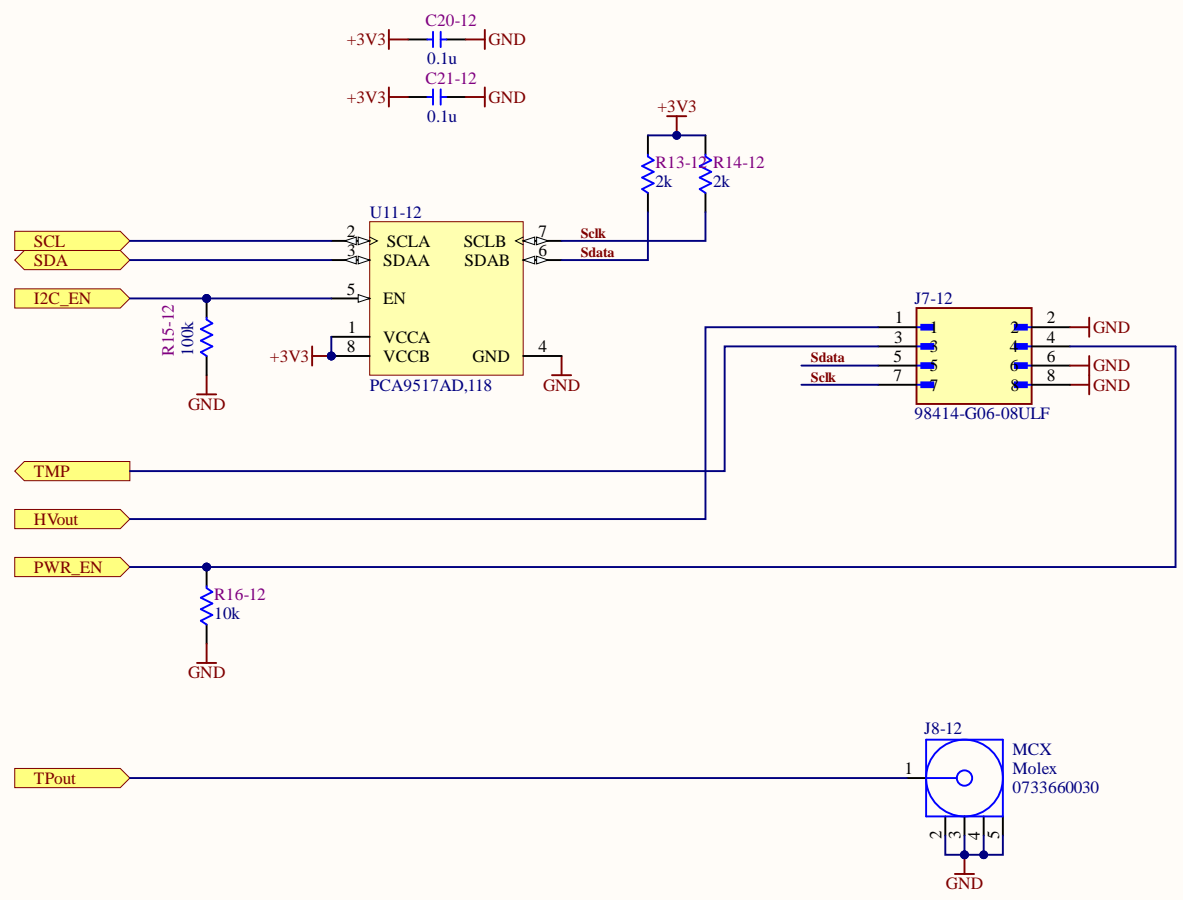
| | | |
|---|---------------------------------|---------------|
| Title | | |
| DarkLight DistributionBoard Scint IO | | |
| Size | Number | Revision |
| Letter | | Rev0-A |
| Date: | 12-07-2023 | Sheet of |
| File: | C:\Work\...\DL-DB-DLS-IO.SchDoc | Drawn By: |



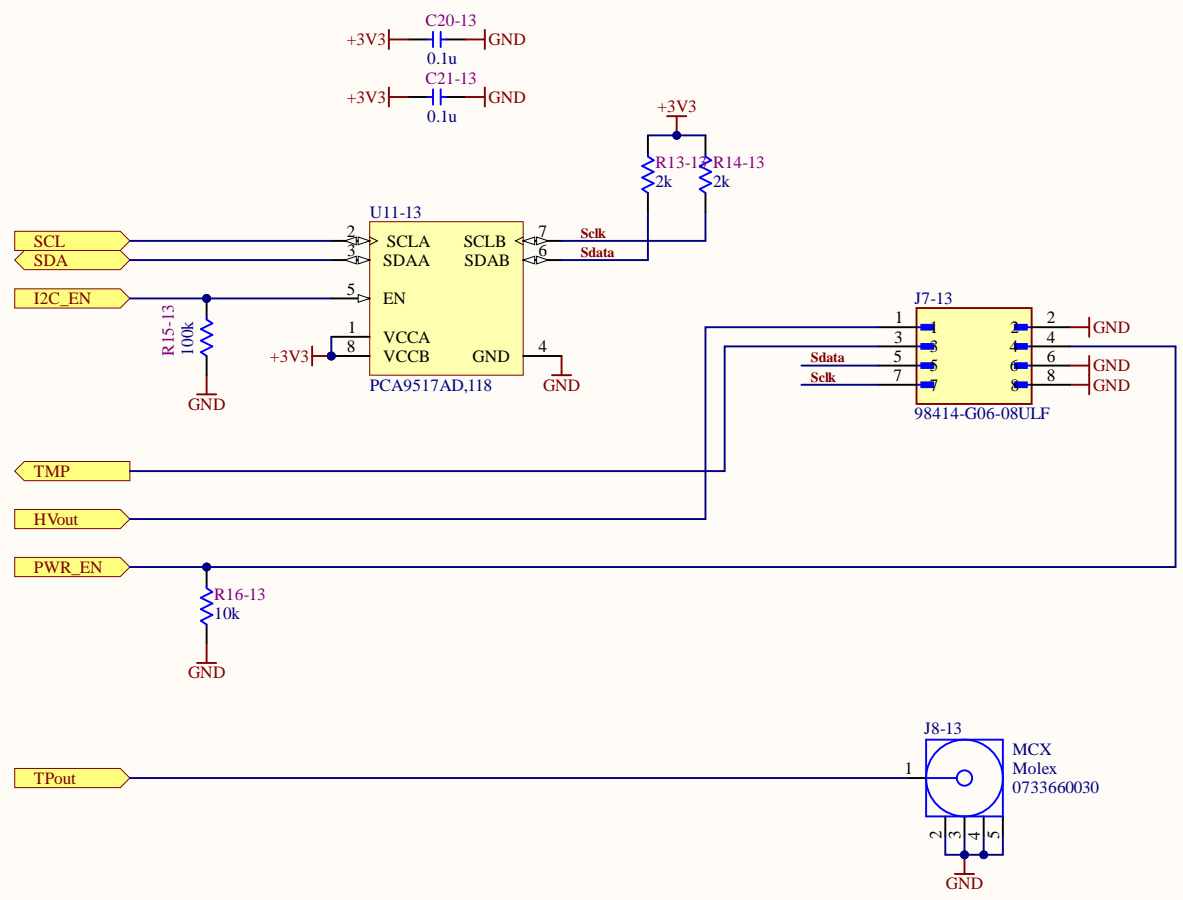
| | | | | | |
|--------|---------------------------------|--|---|--|---------------|
| Title | | | DarkLight DistributionBoard Scint IO | | |
| Size | Number | | Revision | | Rev0-A |
| Letter | | | | | |
| Date: | 12-07-2023 | | Sheet of | | |
| File: | C:\Work\...\DL-DB-DLS-IO.SchDoc | | Drawn By: | | |



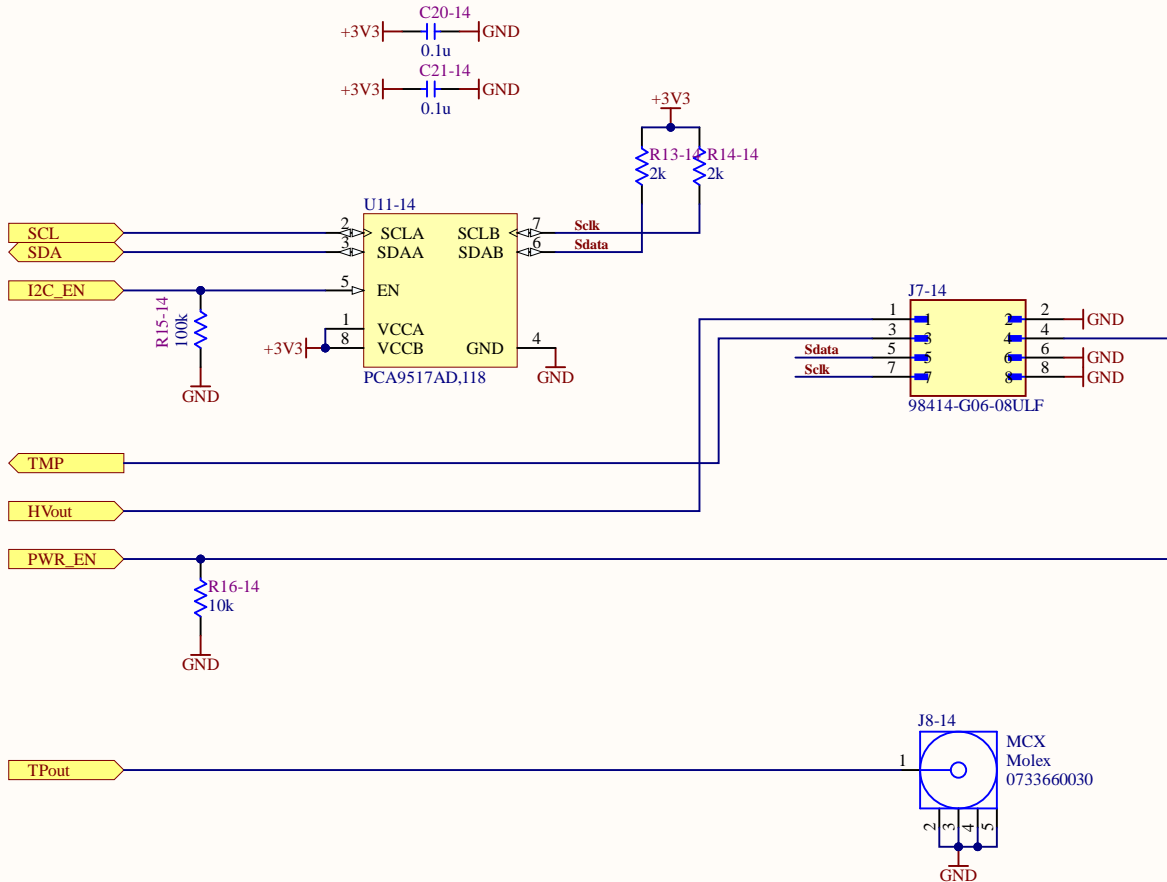
| | | |
|---|---------------------------------|---------------|
| Title | | |
| DarkLight DistributionBoard Scint IO | | |
| Size | Number | Revision |
| Letter | | Rev0-A |
| Date: | 12-07-2023 | Sheet of |
| File: | C:\Work\...\DL-DB-DLS-IO.SchDoc | Drawn By: |



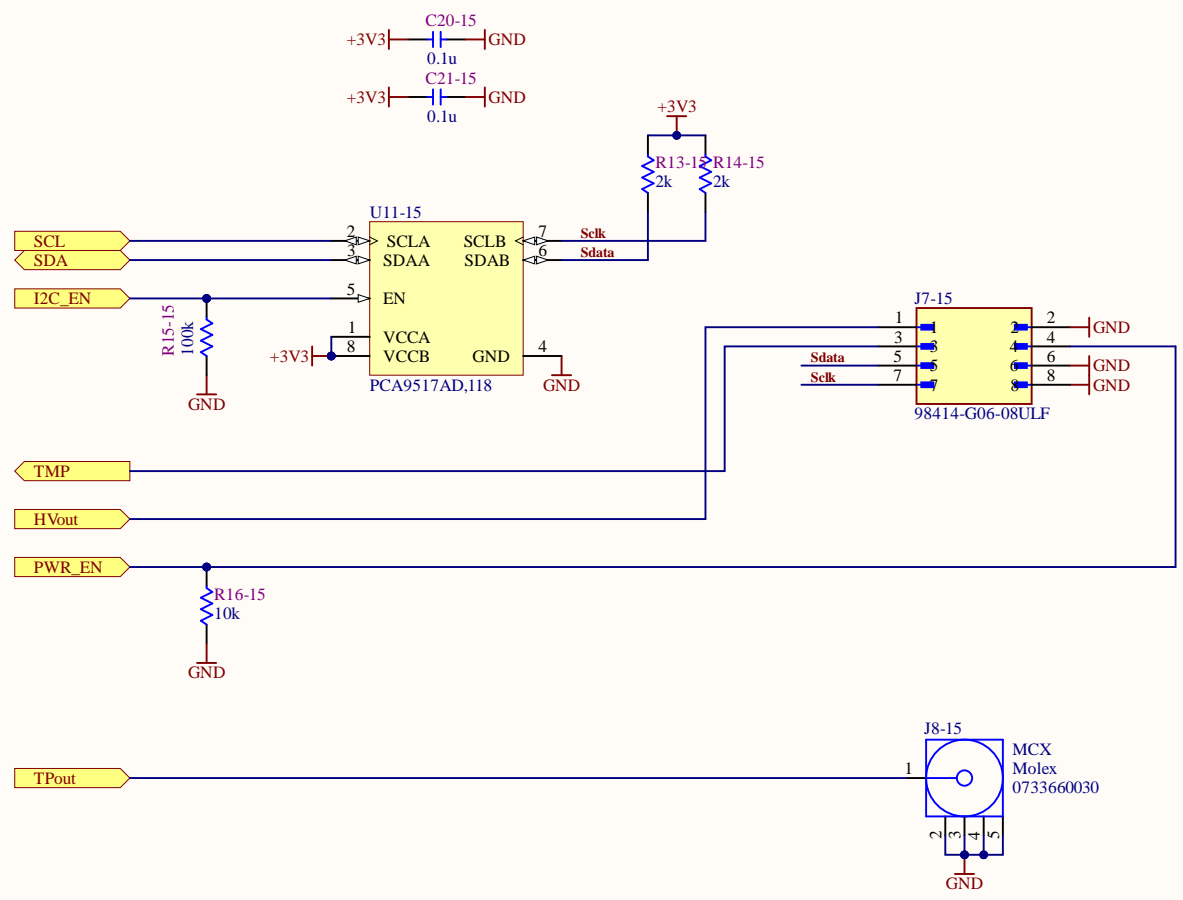
| | | | | | |
|--------|---------------------------------|--|---|--|--|
| Title | | | DarkLight DistributionBoard Scint IO | | |
| Size | Number | | Revision | | |
| Letter | | | Rev0-A | | |
| Date: | 12-07-2023 | | Sheet of | | |
| File: | C:\Work\...\DL-DB-DLS-IO.SchDoc | | Drawn By: | | |



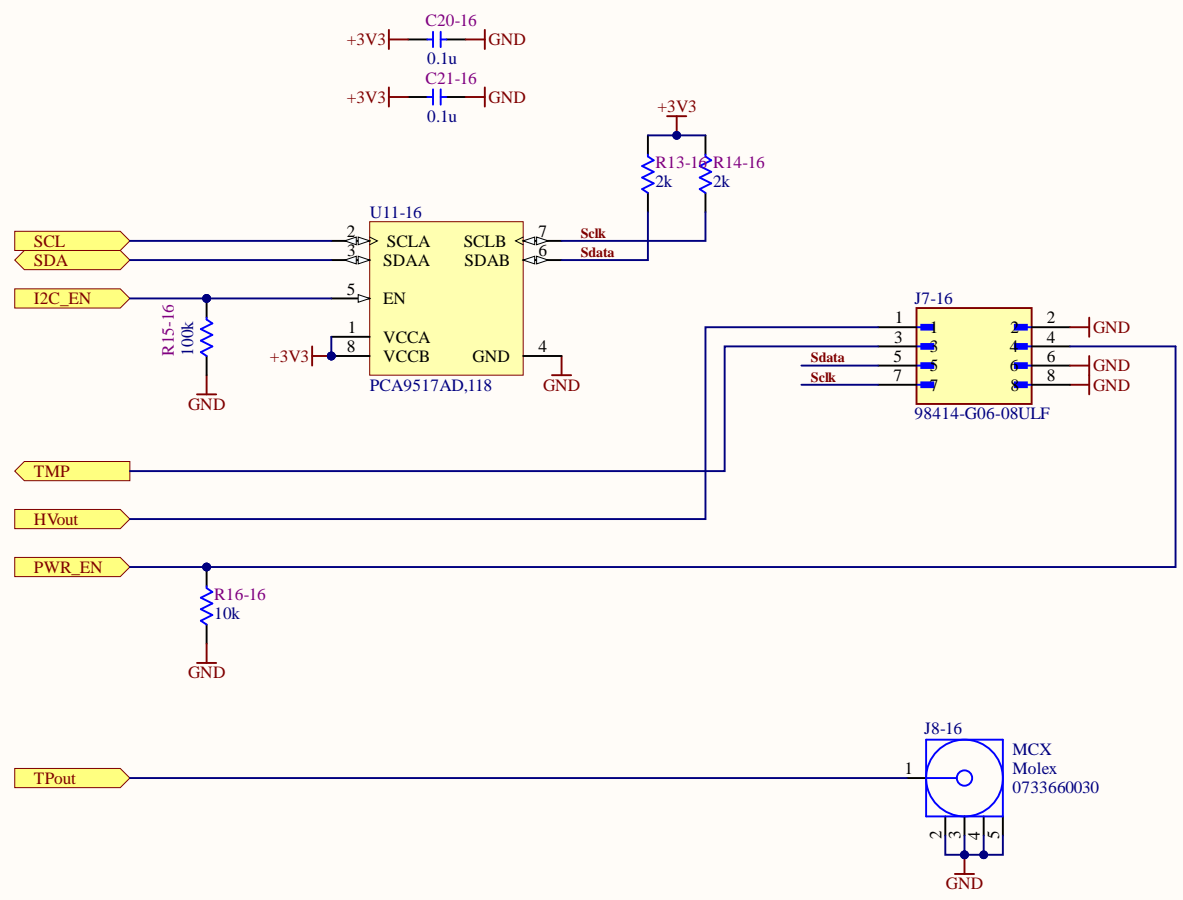
| | | |
|---|---------------------------------|---------------|
| Title | | |
| DarkLight DistributionBoard Scint IO | | |
| Size | Number | Revision |
| Letter | | Rev0-A |
| Date: | 12-07-2023 | Sheet of |
| File: | C:\Work\...\DL-DB-DLS-IO.SchDoc | Drawn By: |



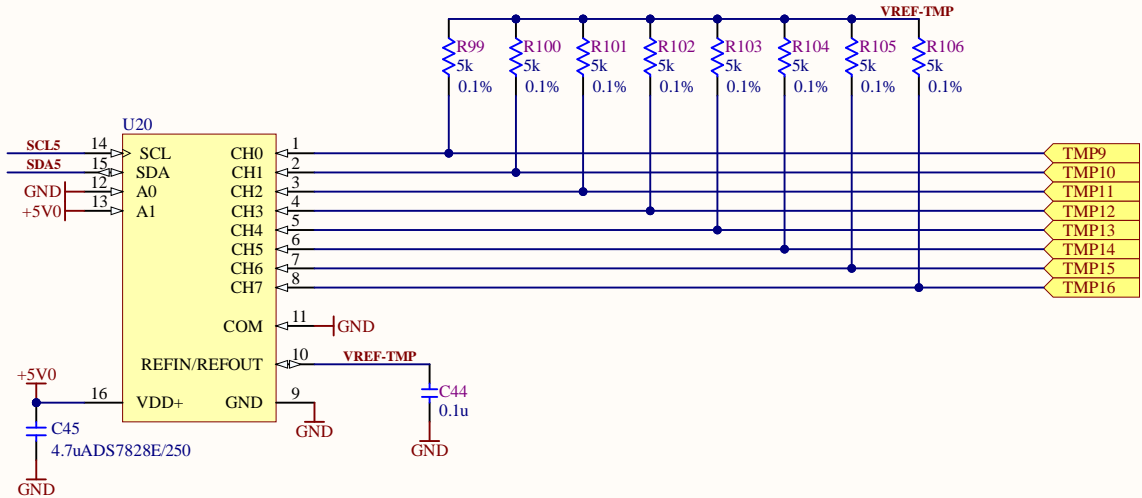
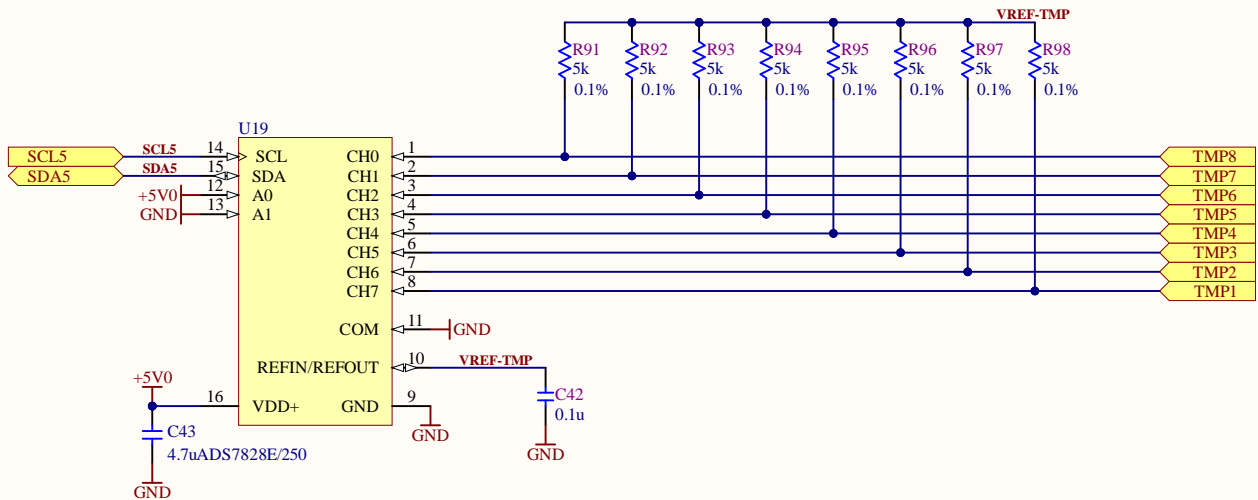
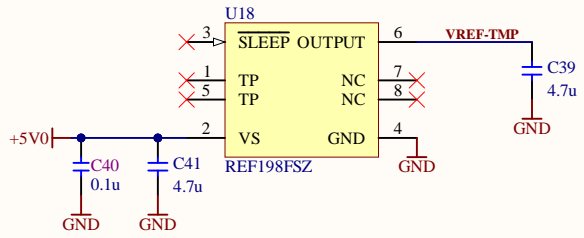
| | | | | | |
|--------|---------------------------------|--|---|--|---------------|
| Title | | | DarkLight DistributionBoard Scint IO | | |
| Size | Number | | Revision | | Rev0-A |
| Letter | | | | | |
| Date: | 12-07-2023 | | Sheet of | | |
| File: | C:\Work\...\DL-DB-DLS-IO.SchDoc | | Drawn By: | | |



| | | |
|---|---------------------------------|---------------|
| Title | | |
| DarkLight DistributionBoard Scint IO | | |
| Size | Number | Revision |
| Letter | | Rev0-A |
| Date: | 12-07-2023 | Sheet of |
| File: | C:\Work\...\DL-DB-DLS-IO.SchDoc | Drawn By: |

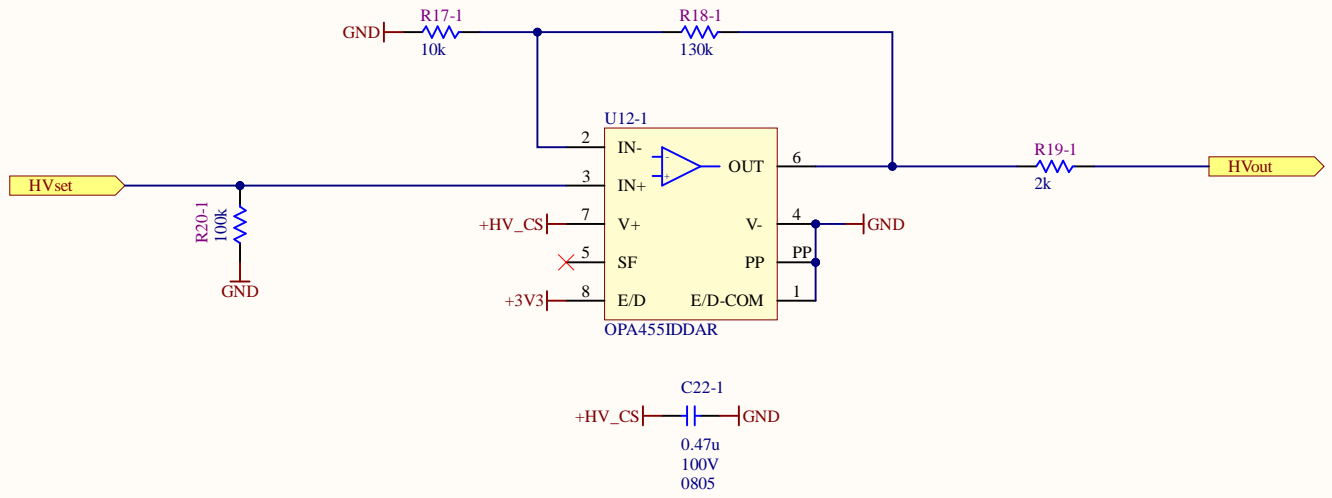


| | | | | | |
|--------|---------------------------------|--|---|--|---------------|
| Title | | | DarkLight DistributionBoard Scint IO | | |
| Size | Number | | Revision | | Rev0-A |
| Letter | | | | | |
| Date: | 12-07-2023 | | Sheet of | | |
| File: | C:\Work\...\DL-DB-DLS-IO.SchDoc | | Drawn By: | | |

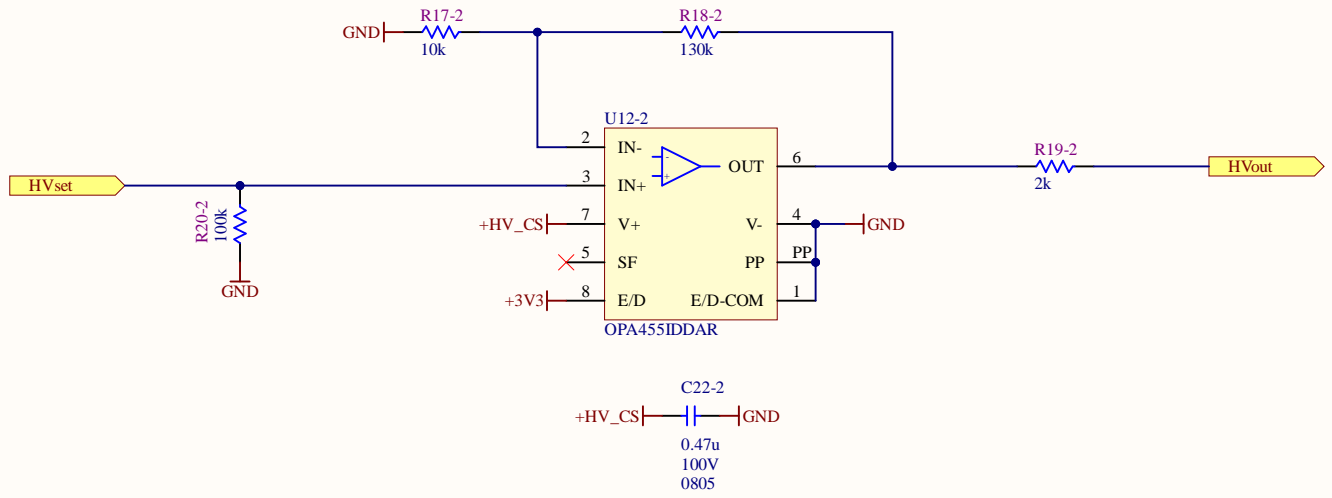


▲ HW modifications for Rev0-A
 U20-12 disconnect A0 from GND
 U20-12 connect A0 to +5V0

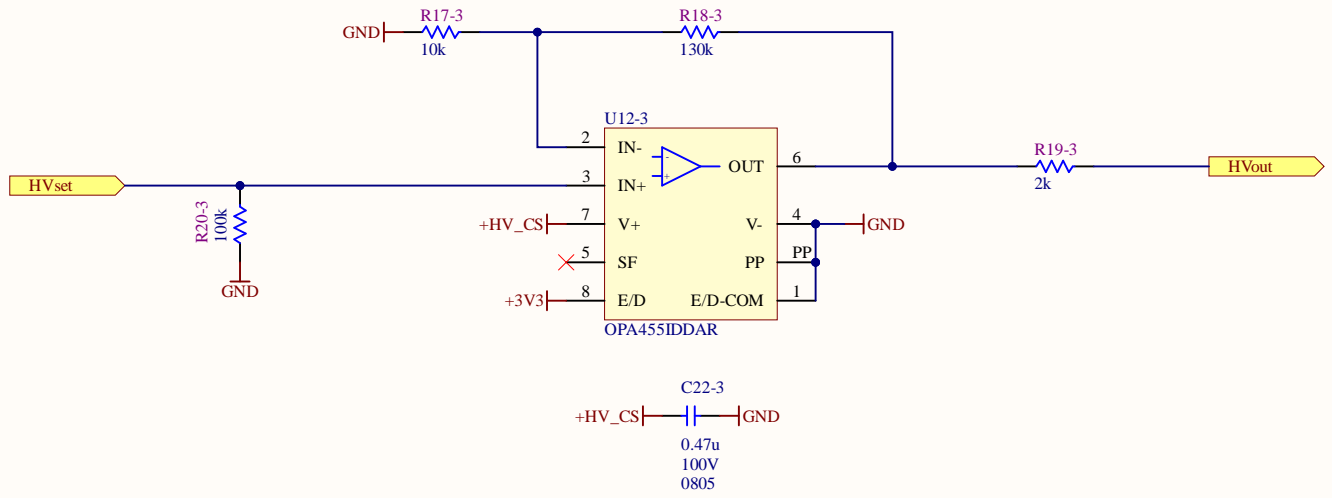
| | | |
|--|--------------------------------------|---------------|
| Title | | |
| DarkLight DistributionBoard Temperature | | |
| Size | Number | Revision |
| Letter | | Rev0-A |
| Date: | 12-07-2023 | Sheet of |
| File: | C:\Work\...\DL-DB-Temperature.SchDoc | Drawn By: |



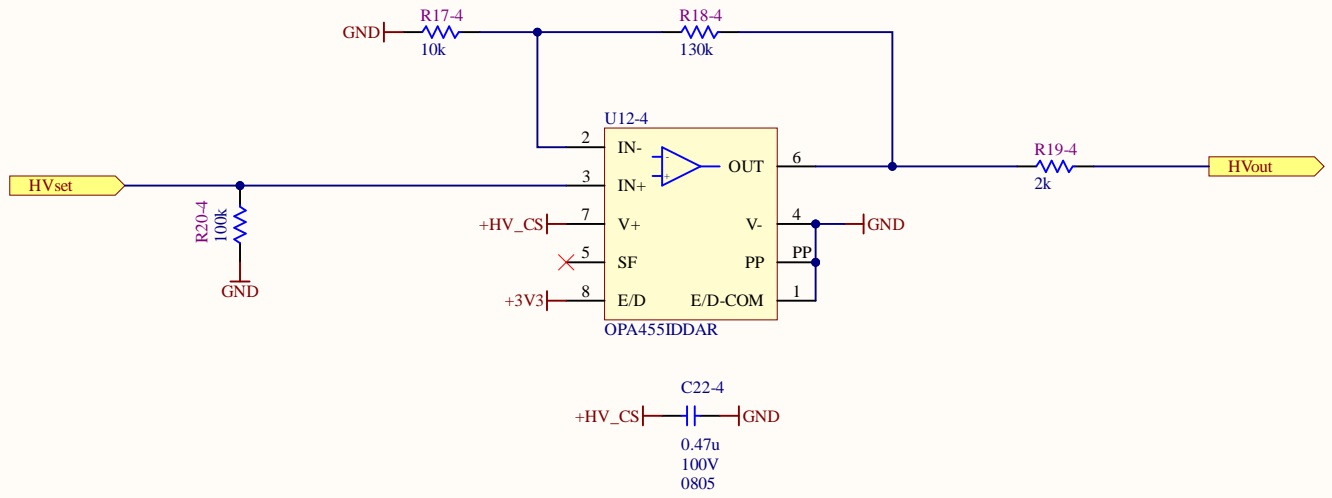
| | | |
|---|--------------------------------------|---------------|
| Title | | |
| DarkLight DistributionBoard High Voltage | | |
| Size | Number | Revision |
| Letter | | Rev0-A |
| Date: | 12-07-2023 | Sheet of |
| File: | C:\Work\...\DL-DB-HighVoltage.SchDoc | Drawn By: |



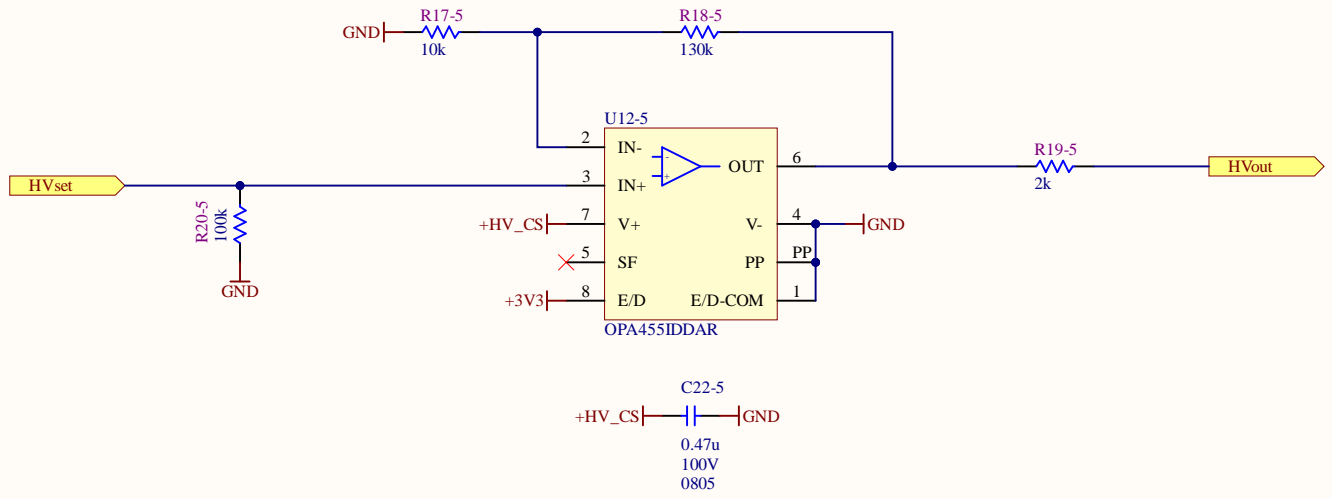
| | | |
|---|--------------------------------------|---------------|
| Title | | |
| DarkLight DistributionBoard High Voltage | | |
| Size | Number | Revision |
| Letter | | Rev0-A |
| Date: | 12-07-2023 | Sheet of |
| File: | C:\Work\...\DL-DB-HighVoltage.SchDoc | Drawn By: |



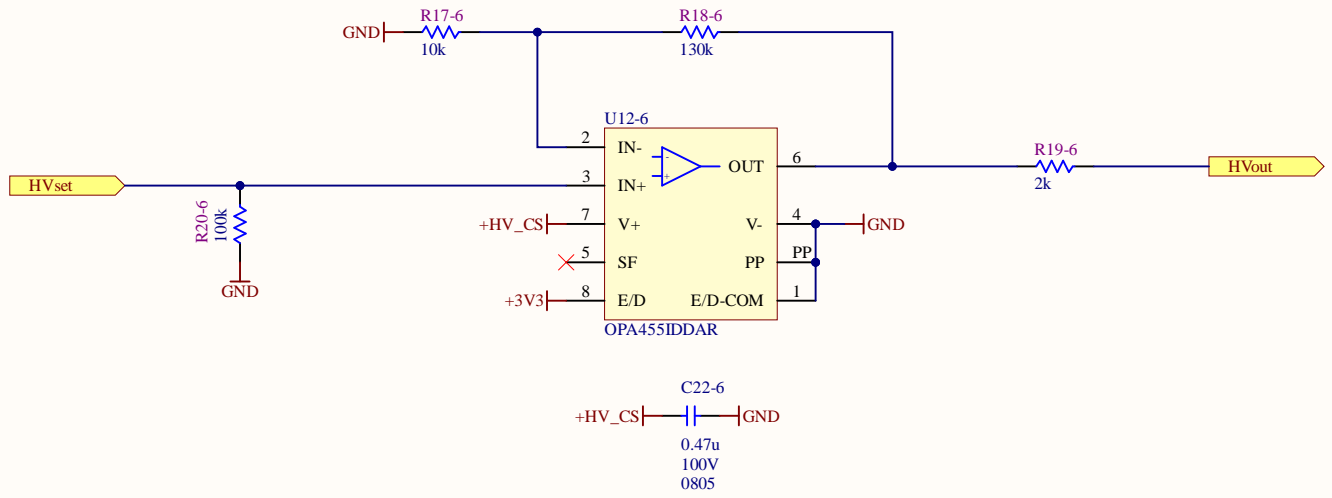
| | | | | | |
|--------|--------------------------------------|--|--|--|--------|
| Title | | | DarkLight DistributionBoard High Voltage | | |
| Size | Number | | Revision | | Rev0-A |
| Letter | | | | | |
| Date: | 12-07-2023 | | Sheet of | | |
| File: | C:\Work\...\DL-DB-HighVoltage.SchDoc | | Drawn By: | | |



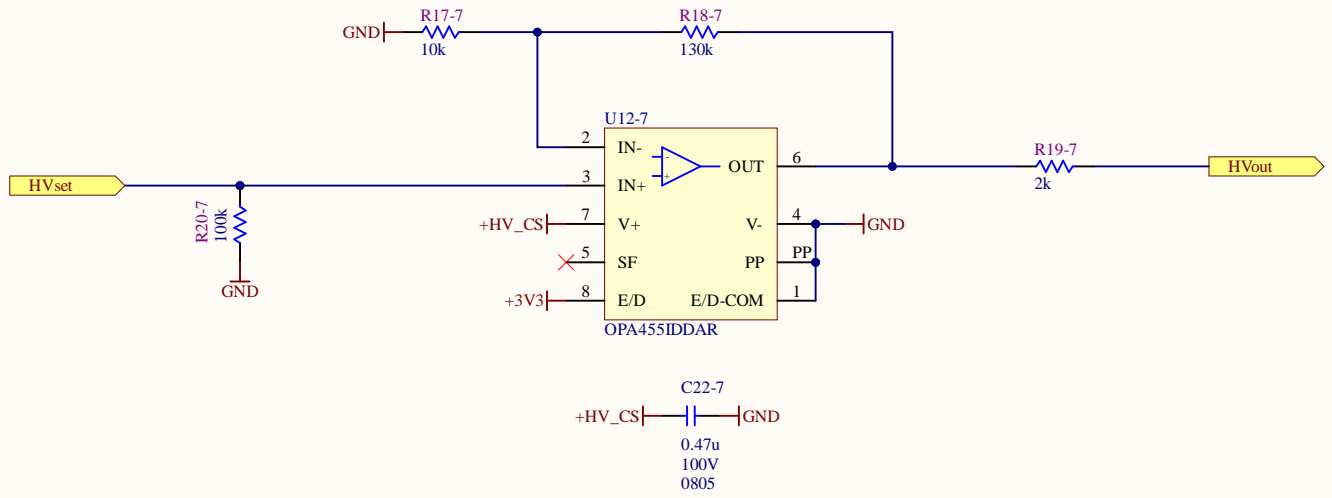
| | | | | | |
|--------|--------------------------------------|--|--|--|--------|
| Title | | | DarkLight DistributionBoard High Voltage | | |
| Size | Number | | Revision | | Rev0-A |
| Letter | | | | | |
| Date: | 12-07-2023 | | Sheet of | | |
| File: | C:\Work\...\DL-DB-HighVoltage.SchDoc | | Drawn By: | | |



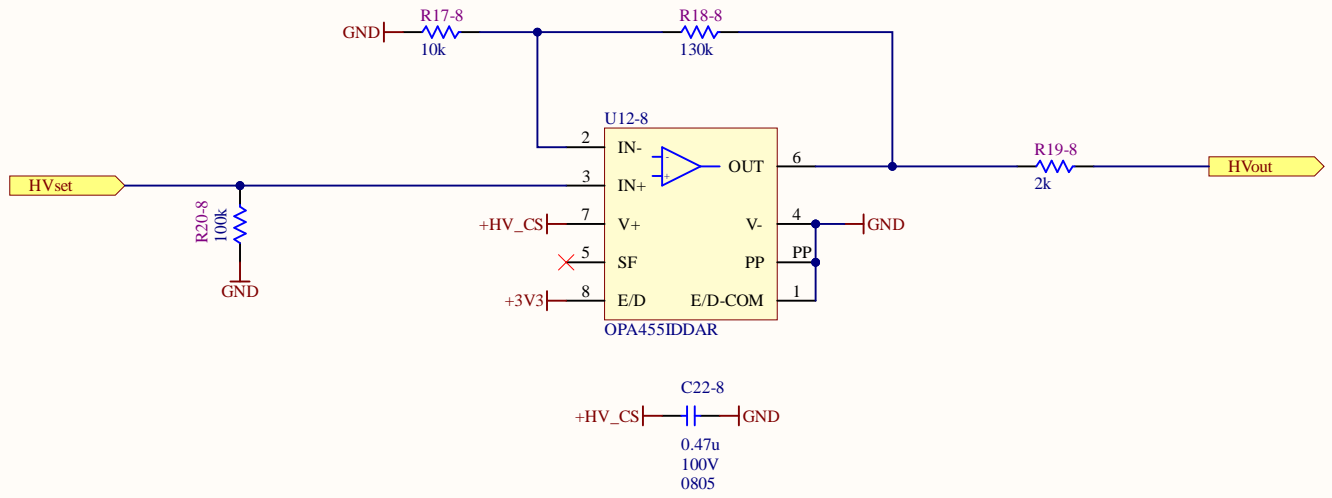
| | | | | | |
|--------|--------------------------------------|--|--|--|--------|
| Title | | | DarkLight DistributionBoard High Voltage | | |
| Size | Number | | Revision | | Rev0-A |
| Letter | | | | | |
| Date: | 12-07-2023 | | Sheet of | | |
| File: | C:\Work\...\DL-DB-HighVoltage.SchDoc | | Drawn By: | | |



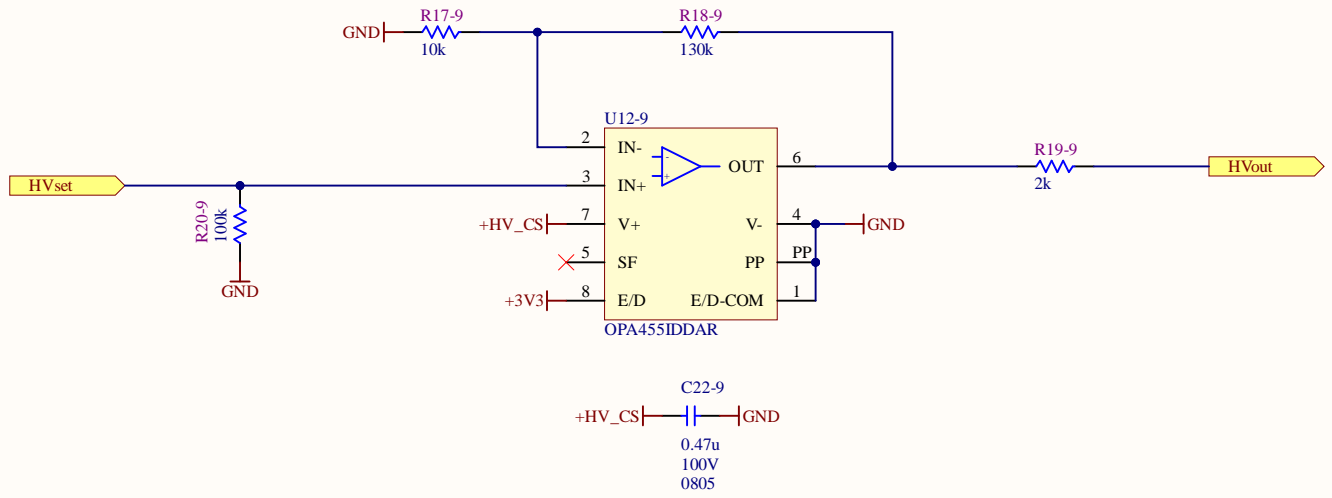
| | | | | | |
|--------|--------------------------------------|--|--|--|--------|
| Title | | | DarkLight DistributionBoard High Voltage | | |
| Size | Number | | Revision | | Rev0-A |
| Letter | | | | | |
| Date: | 12-07-2023 | | Sheet of | | |
| File: | C:\Work\...\DL-DB-HighVoltage.SchDoc | | Drawn By: | | |



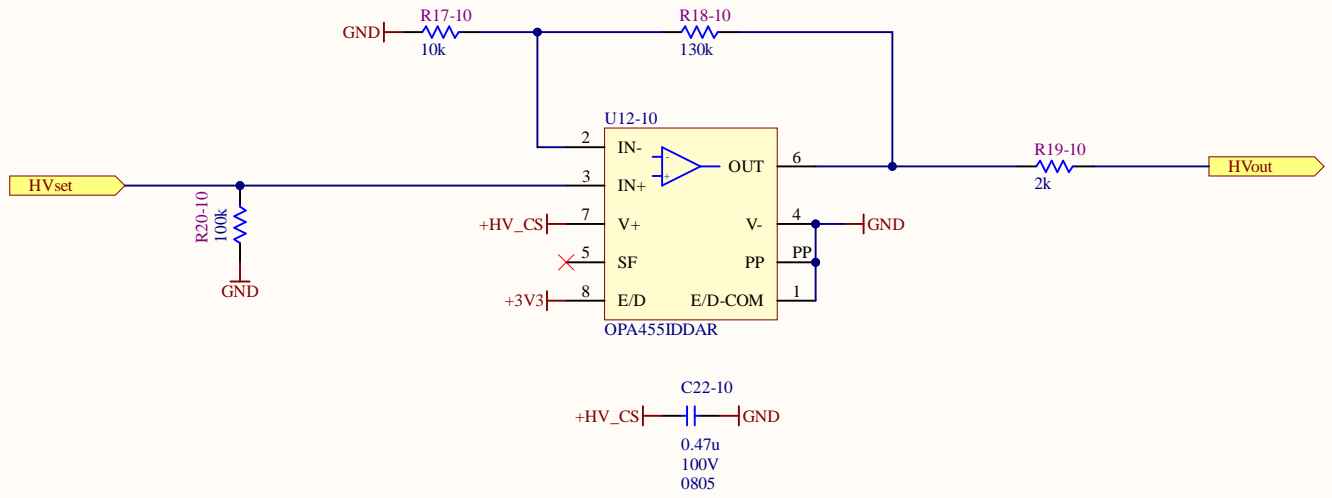
| | | |
|---|--------------------------------------|---------------|
| Title | | |
| DarkLight DistributionBoard High Voltage | | |
| Size | Number | Revision |
| Letter | | Rev0-A |
| Date: | 12-07-2023 | Sheet of |
| File: | C:\Work\...\DL-DB-HighVoltage.SchDoc | Drawn By: |



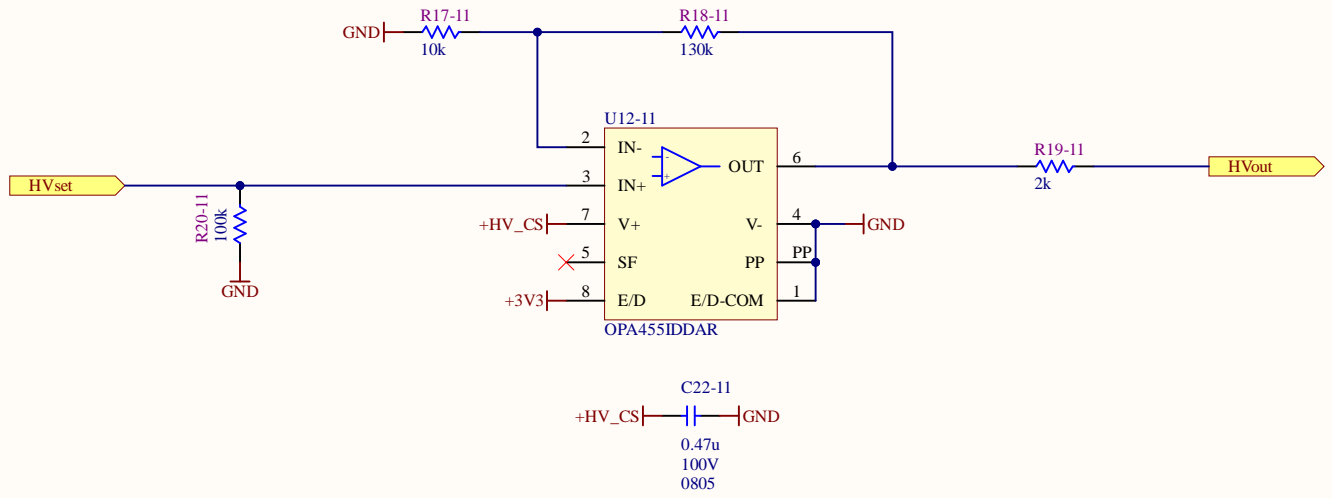
| | | | | | |
|--------|--------------------------------------|--|--|--|--------|
| Title | | | DarkLight DistributionBoard High Voltage | | |
| Size | Number | | Revision | | Rev0-A |
| Letter | | | | | |
| Date: | 12-07-2023 | | Sheet of | | |
| File: | C:\Work\...\DL-DB-HighVoltage.SchDoc | | Drawn By: | | |



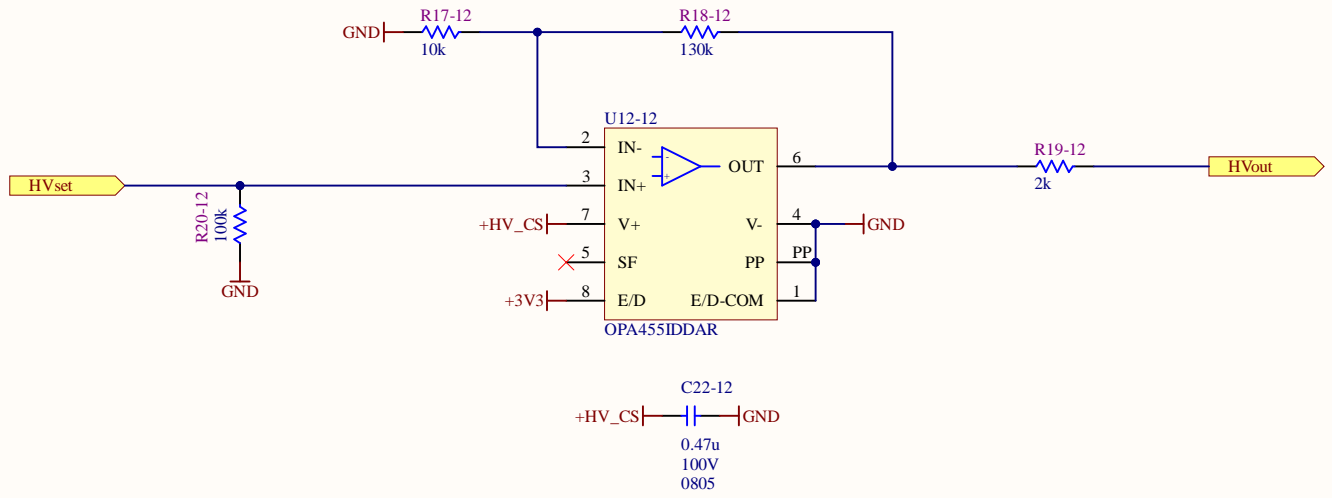
| | | |
|---|--------------------------------------|---------------|
| Title | | |
| DarkLight DistributionBoard High Voltage | | |
| Size | Number | Revision |
| Letter | | Rev0-A |
| Date: | 12-07-2023 | Sheet of |
| File: | C:\Work\...\DL-DB-HighVoltage.SchDoc | Drawn By: |



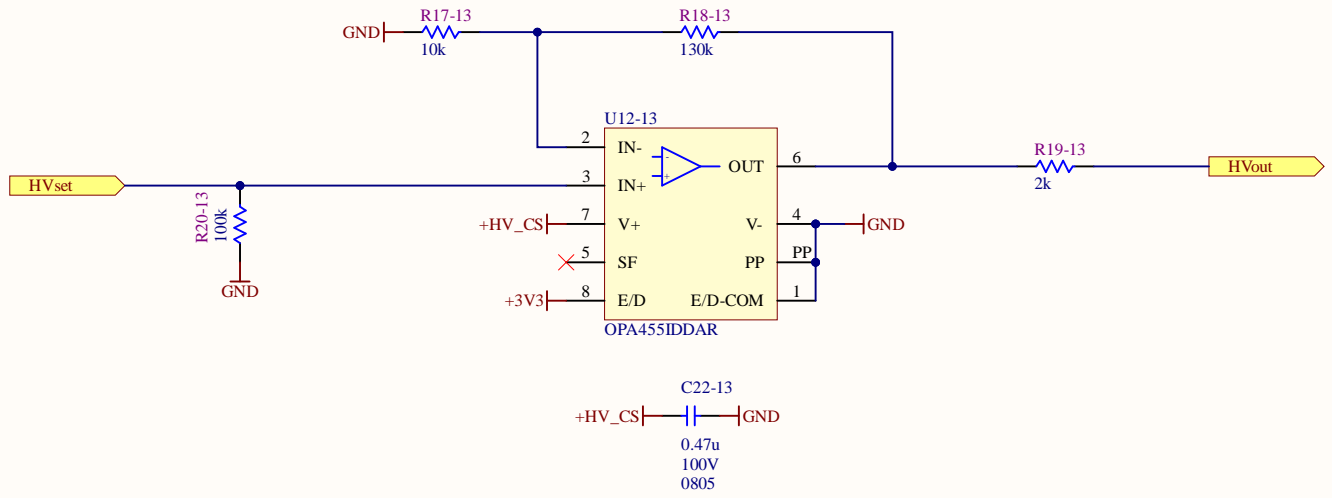
| | | | | | |
|--------|--------------------------------------|--|--|--|--|
| Title | | | DarkLight DistributionBoard High Voltage | | |
| Size | Number | | Revision | | |
| Letter | | | Rev0-A | | |
| Date: | 12-07-2023 | | Sheet of | | |
| File: | C:\Work\...\DL-DB-HighVoltage.SchDoc | | Drawn By: | | |



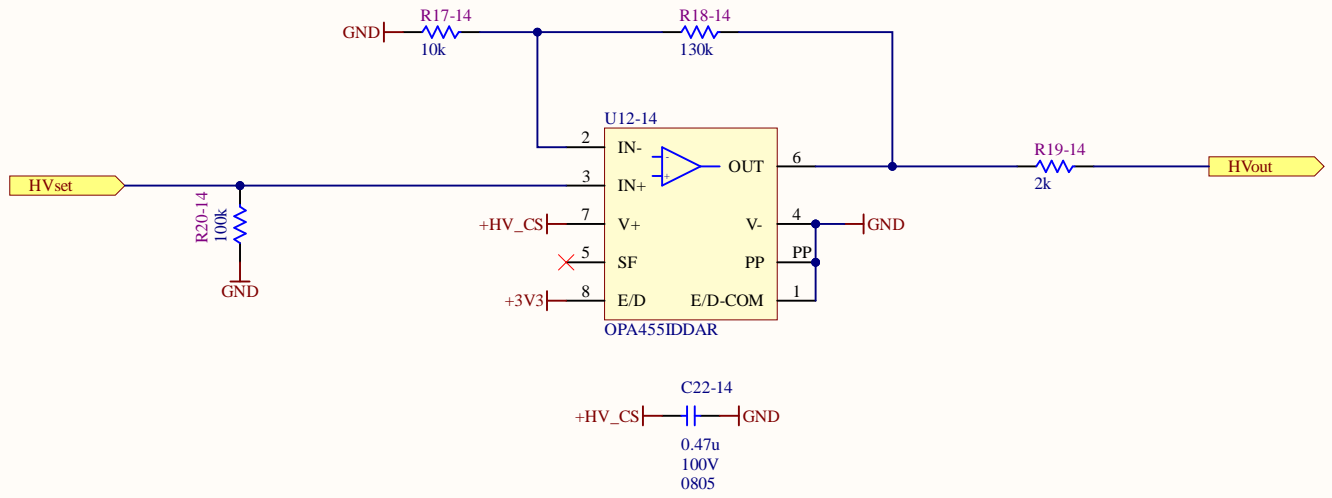
| | | |
|---|--------------------------------------|---------------|
| Title | | |
| DarkLight DistributionBoard High Voltage | | |
| Size | Number | Revision |
| Letter | | Rev0-A |
| Date: | 12-07-2023 | Sheet of |
| File: | C:\Work\...\DL-DB-HighVoltage.SchDoc | Drawn By: |



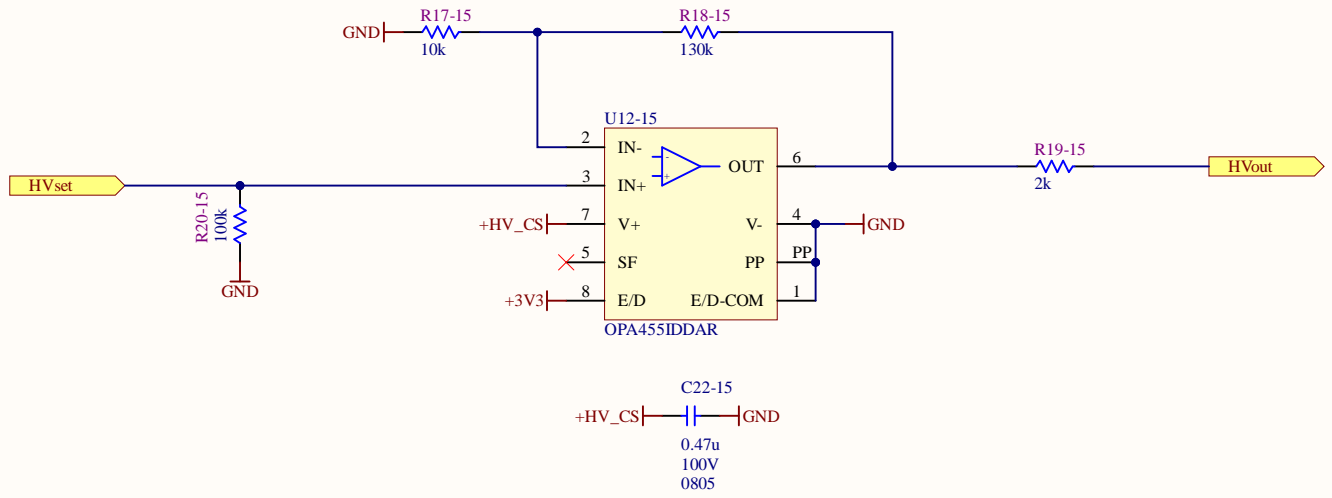
| | | | | | |
|--------|----------------------------------|--|--|--|--------|
| Title | | | DarkLight DistributionBoard High Voltage | | |
| Size | Number | | Revision | | Rev0-A |
| Letter | | | | | |
| Date: | 12-07-2023 | | Sheet of | | |
| File: | C:\Work\DL-DB-HighVoltage.SchDoc | | Drawn By: | | |



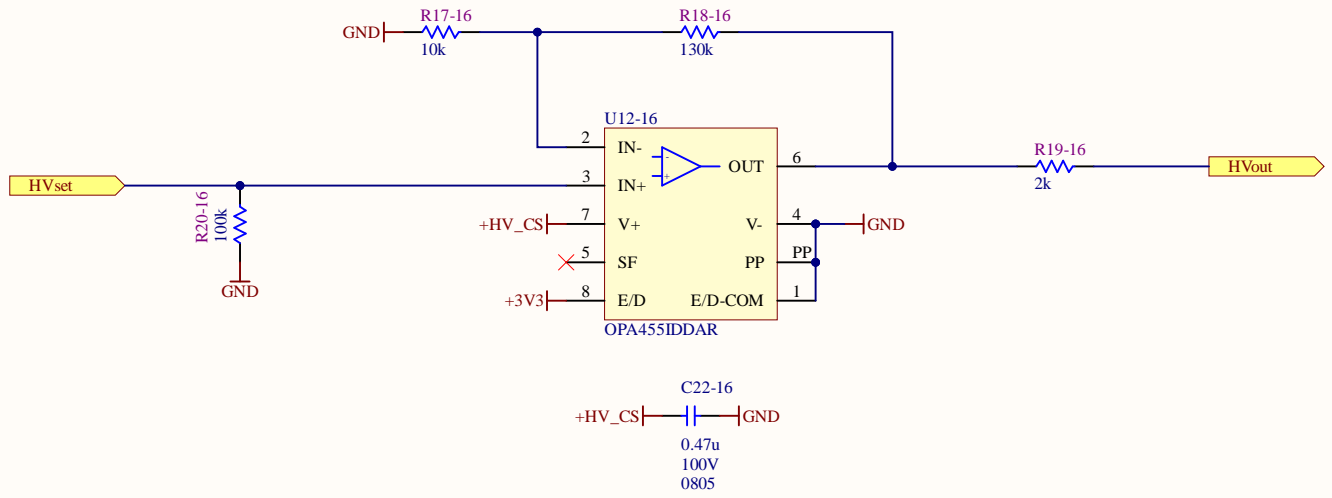
| | | | | | |
|--------|----------------------------------|--|--|--|--------|
| Title | | | DarkLight DistributionBoard High Voltage | | |
| Size | Number | | Revision | | Rev0-A |
| Letter | | | | | |
| Date: | 12-07-2023 | | Sheet of | | |
| File: | C:\Work\DL-DB-HighVoltage.SchDoc | | Drawn By: | | |



| | | | | | |
|--------|--------------------------------------|--|---|--|--|
| Title | | | DarkLight DistributionBoard High Voltage | | |
| Size | Number | | Revision | | |
| Letter | | | Rev0-A | | |
| Date: | 12-07-2023 | | Sheet of | | |
| File: | C:\Work\...\DL-DB-HighVoltage.SchDoc | | Drawn By: | | |



| | | | | | |
|--------|----------------------------------|--|--|--|--------|
| Title | | | DarkLight DistributionBoard High Voltage | | |
| Size | Number | | Revision | | Rev0-A |
| Letter | | | | | |
| Date: | 12-07-2023 | | Sheet of | | |
| File: | C:\Work\DL-DB-HighVoltage.SchDoc | | Drawn By: | | |



| | | |
|---|----------------------------------|---------------|
| Title | | |
| DarkLight DistributionBoard High Voltage | | |
| Size | Number | Revision |
| Letter | | Rev0-A |
| Date: | 12-07-2023 | Sheet of |
| File: | C:\Work\DL-DB-HighVoltage.SchDoc | Drawn By: |