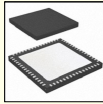


VCXO 100MHz LVDS Oscillator
ASG-D-V-A-100.000MHZ
Abracon Corporation
6-SMD (7x5mm)



LMK04821

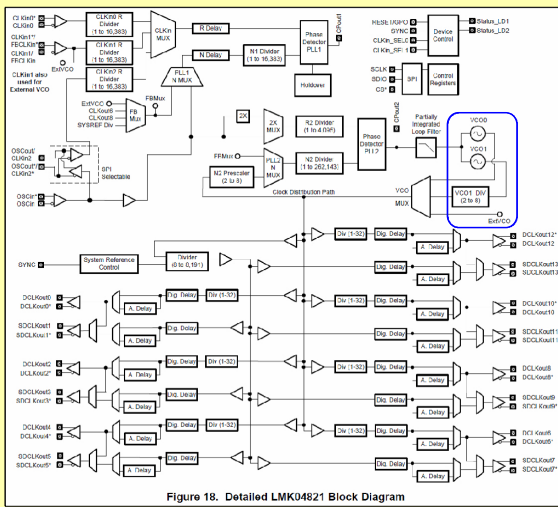
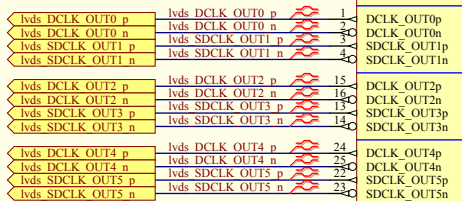
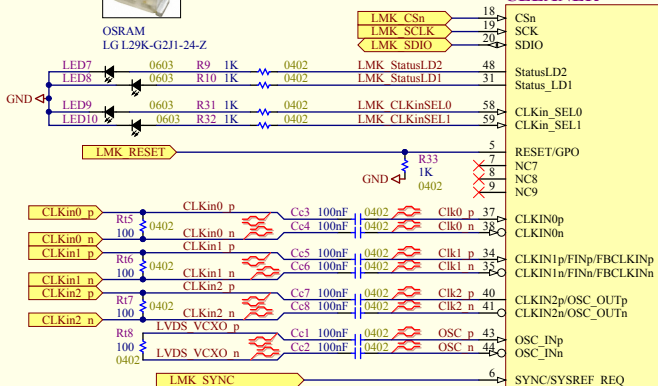
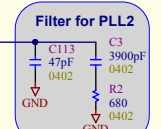
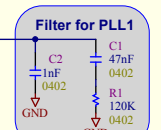
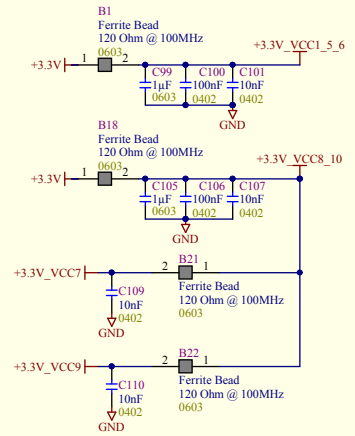
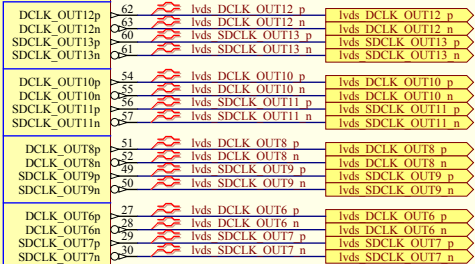
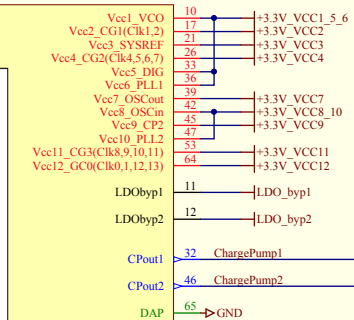
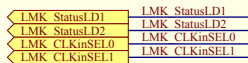


Figure 18. Detailed LMK04821 Block Diagram

CLEANER



Clock distribution fanout - 15 channel
LMK04821NKDIT
Texas Instruments
64-WQFN (9x9)



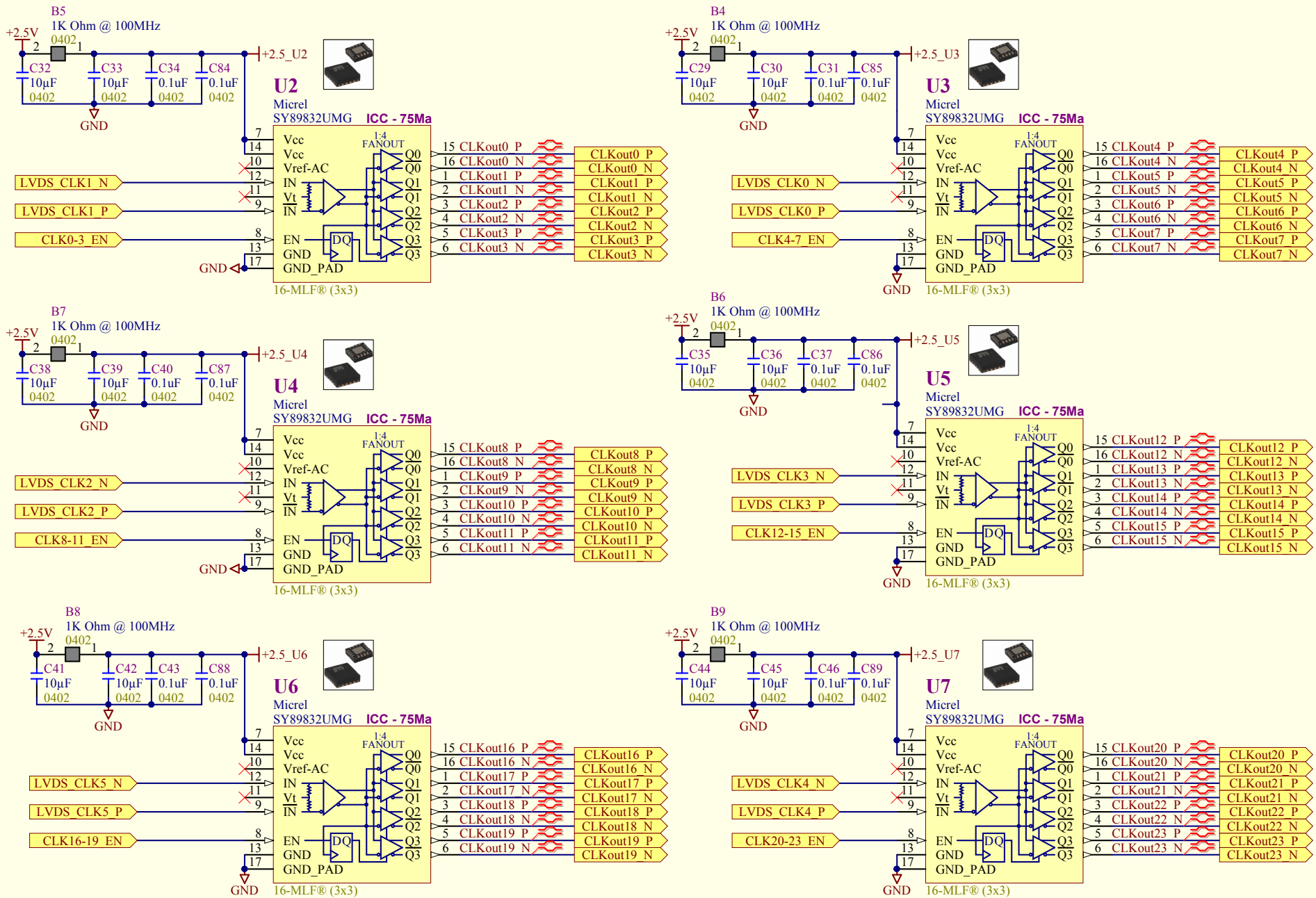
Clock Distribution Module - Clock Cleaner - LMK04821

Revision	Drawing #: 2	TRU/MF
2	Sheet #: 2 of 11	4004 Westbrook Mall
	Size: B	Vancouver, B.C.
	Drawn by: D.Bishop	Canada
	Date: 2/10/2015	LMT 2A3

File: C:\Repositories\GRIF-VME CLKA\AltiumVME - Clock Distribution Module - Clock Cleaner - LMK04821.SchDoc



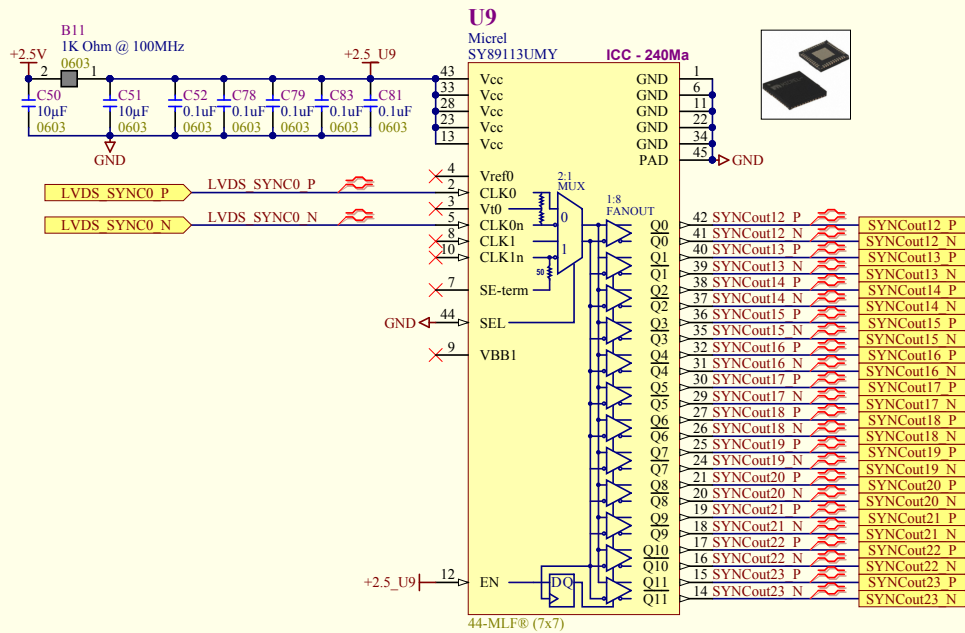
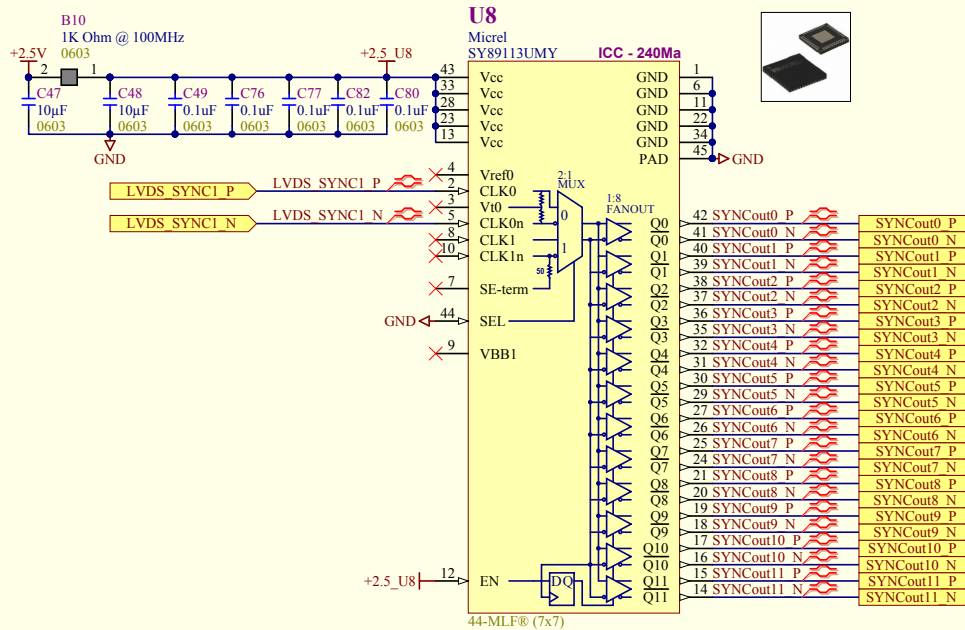
6:42:26 PM



ICC Total - 450Ma @ 2.5V

Clock Distribution Module - 24 Chan LVDS Clock Fanout

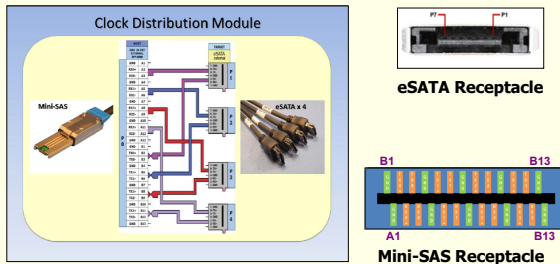
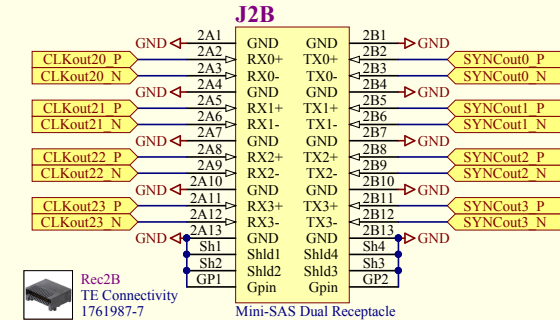
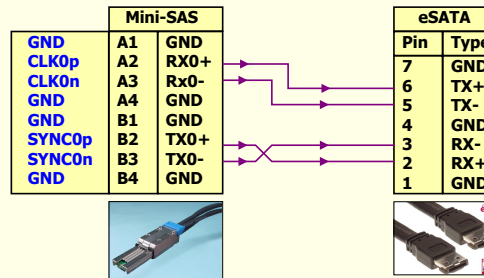
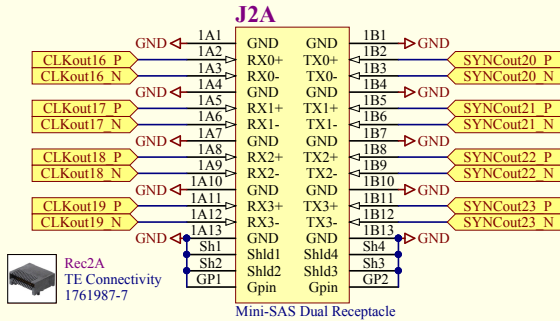
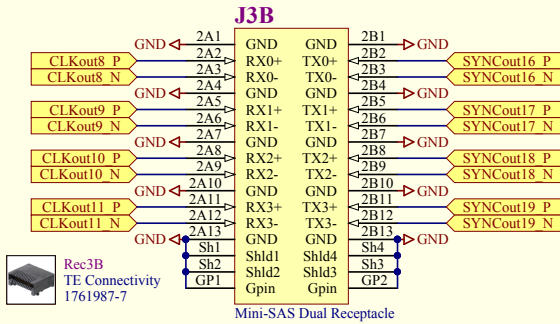
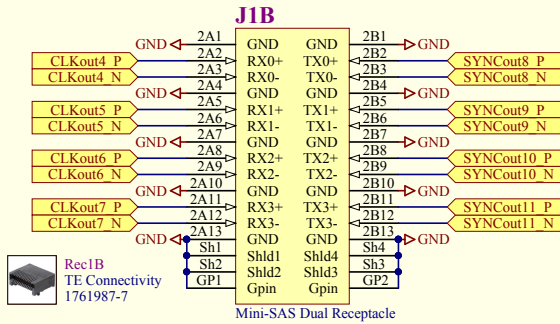
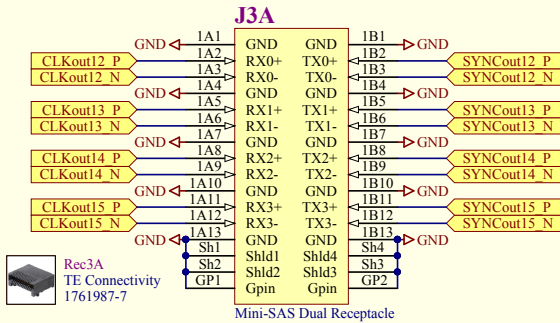
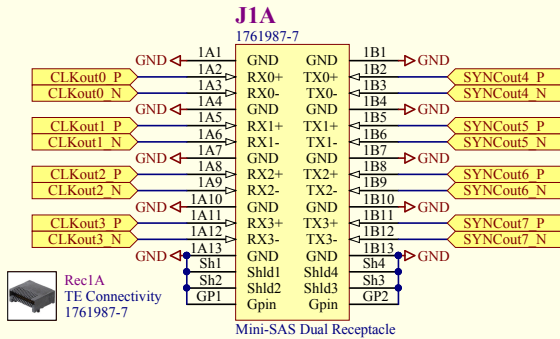
Revision	Drawing #: 3	TRIUMF 4004 Wesbrook Mall Vancouver, B.C. Canada V6T 2A3		
2	Sheet #: 3 of 11			Size: A
	Drawn by: D.Bishop			Date: 2/10/2015



ICC Total - 480Ma @ 2.5V

Clock Distribution Module - Sync Pulse LVDS Fanout

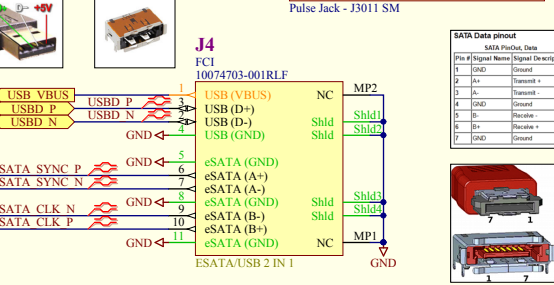
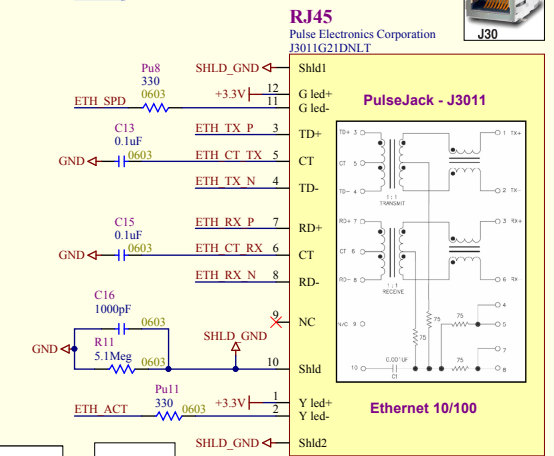
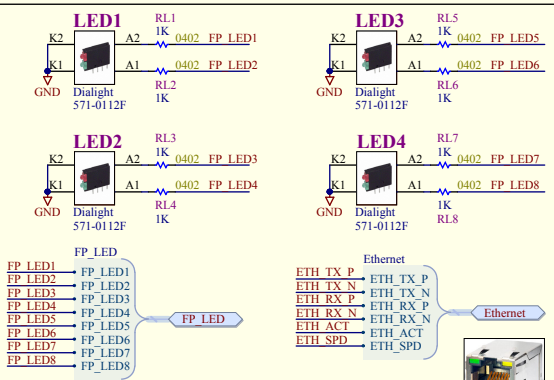
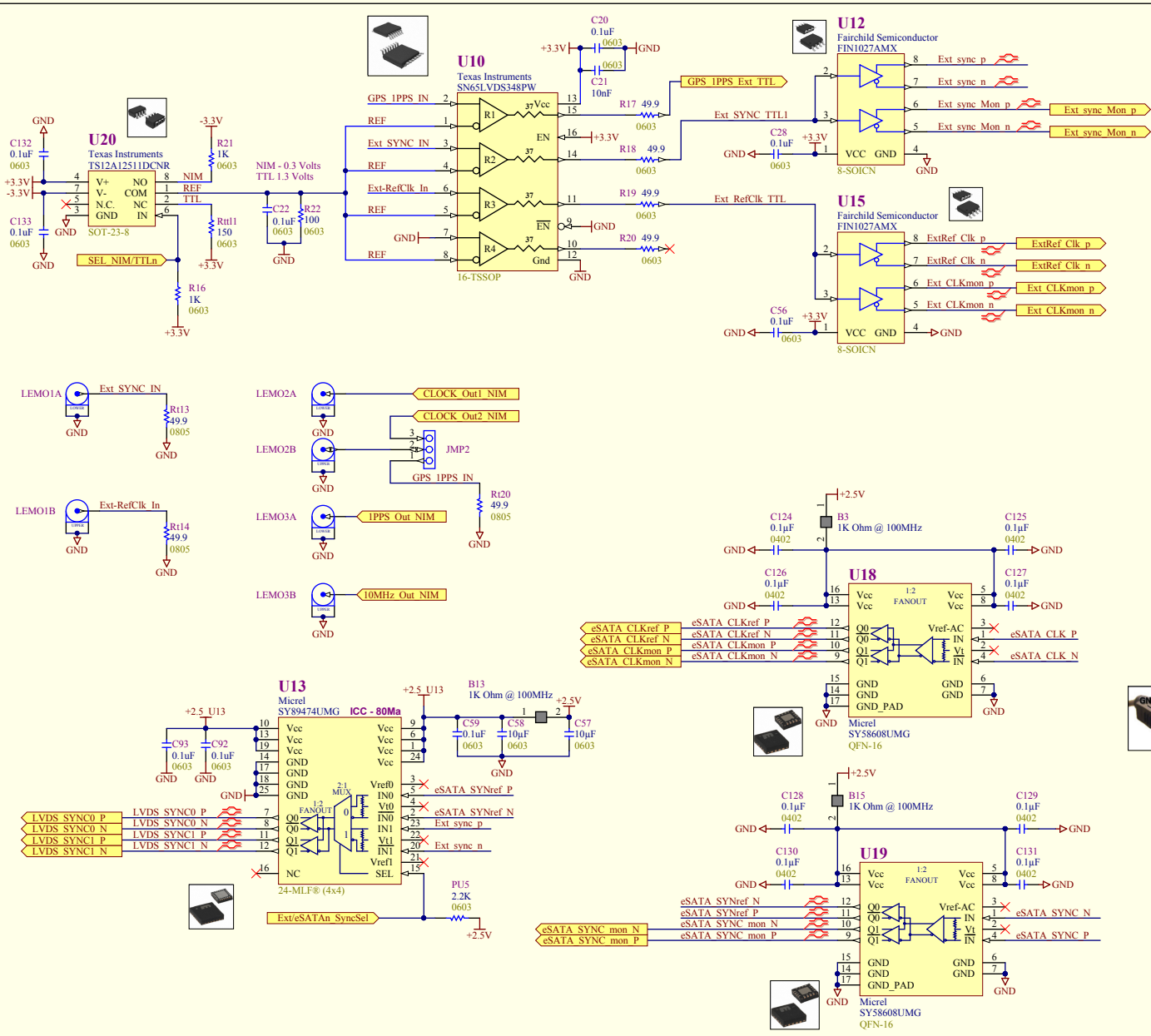
Revision	Drawing #: 4	TRUMF	
2	Sheet #: 4 of 11	Size: A	
Drawn by: D.Bishop	Date: 2/10/2015	4004 Wesbrook Mall Vancouver, B.C. Canada V6T 2A3	
File: C:\Repositories\GRIF-VME CLK\Altium\VME - Clock Distribution Module - Sync Fanout.SchDoc			



Clock Distribution Module - Mini-SAS Connectors

Revision	Drawing #: 5		TRUMF 4004 Westbrook Mall Vancouver, B.C. Canada V6T 2A3
2	Sheet #: 5 of 11	Size: A	
	Drawn by: D.Bishop	Date: 2/10/2015	

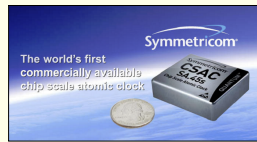
File: C:\Repositories\GRIF-VME CLK\Altium\VME - Clock Distribution Module - Mini-SAS Connectors.SchDoc 6:42:28 PM



Clock Distribution Module - Front Panel

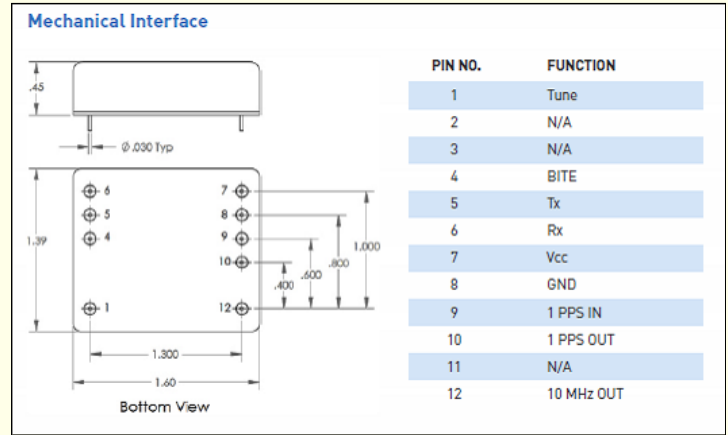
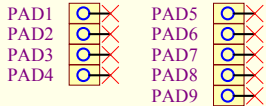
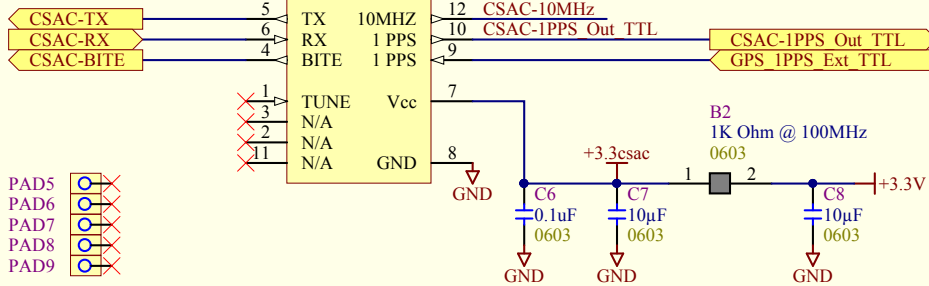
Revision	Drawing #: 6	TRUMF
2	Sheet #: 6 of 11	4004 Westbrook Mall
	Drawn by: D.Bishop	Vancouver, B.C.
	Date: 2/10/2015	Canada
		V6T 2A3

ICC ~ 37mA @3.3V

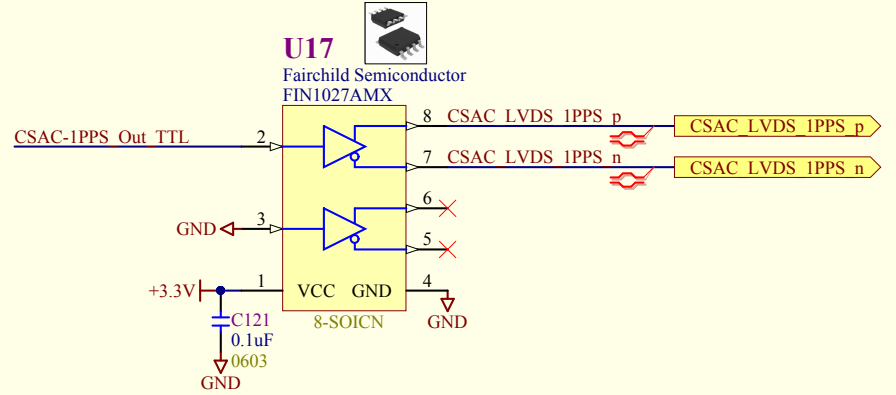
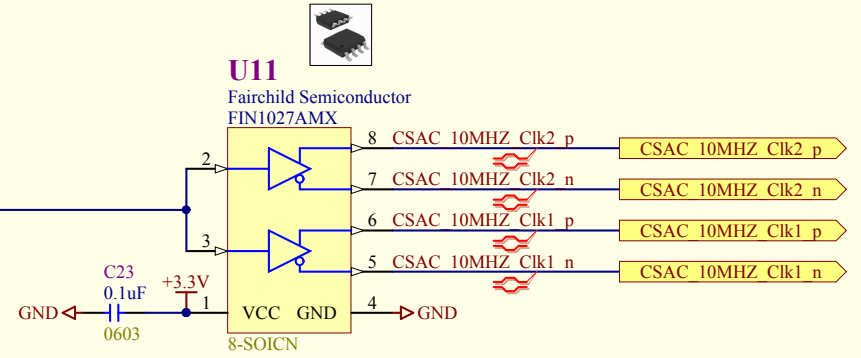
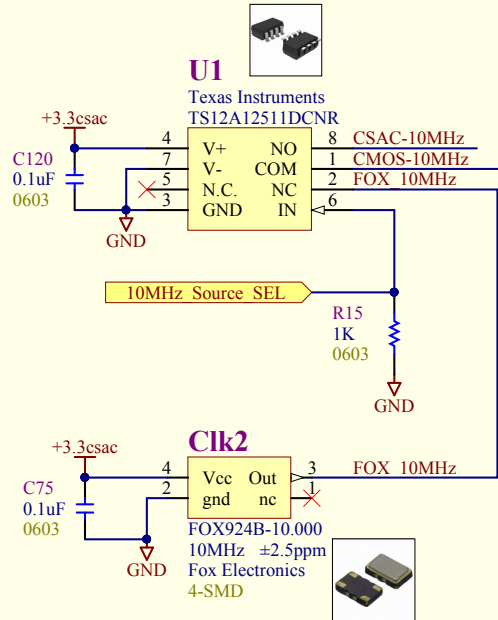


CSAC
Atomic Clock
Symmetricom
CSAC - SA.45s

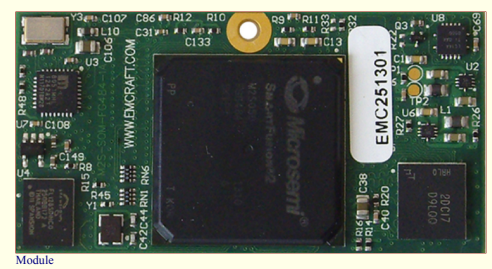
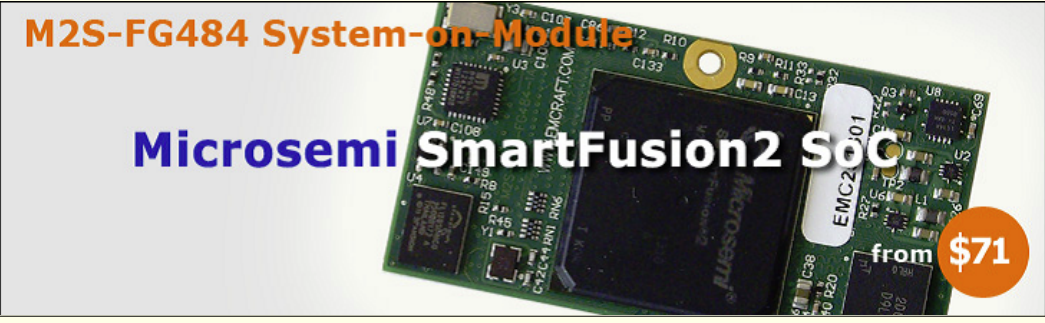
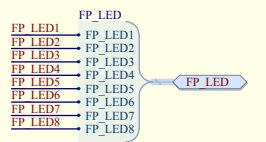
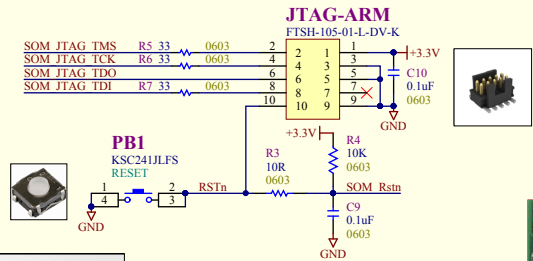
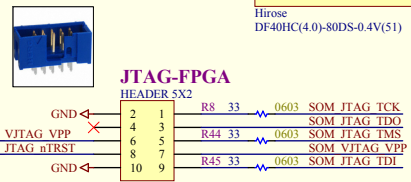
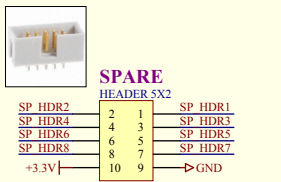
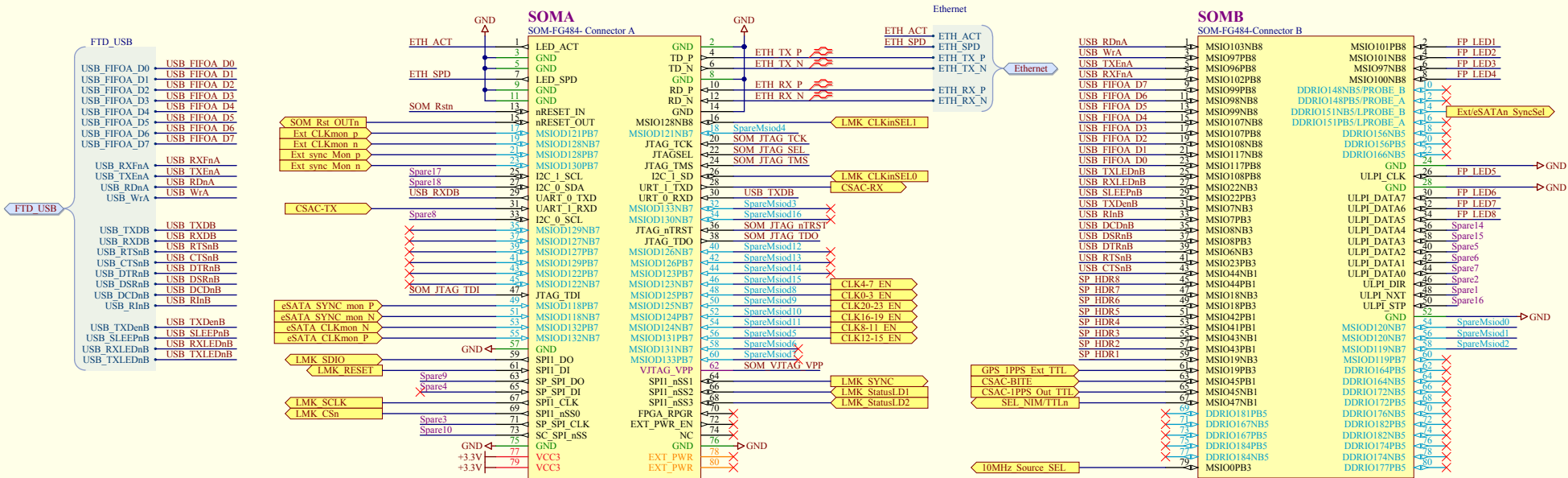
RS232 BAUDRATE - 57600



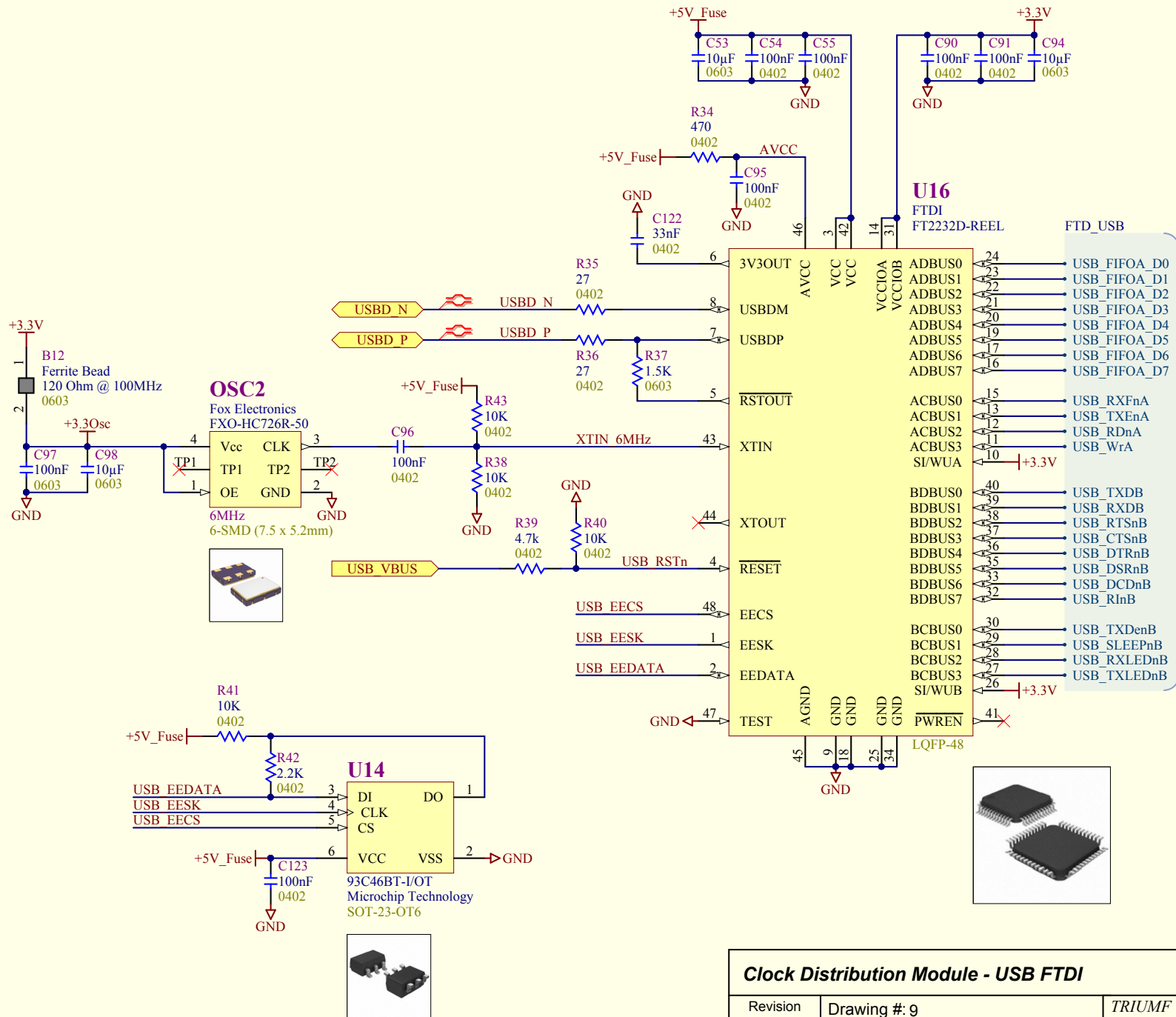
Mill-Max Manufacturing Corp.
Manufacturer Part Number
6021-0-15-80-16-27-10-0




Clock Distribution Module - Atomic Clock		
Revision	Drawing #: 7	
2	Sheet #: 7 of 11	Size: A
	Drawn by: D.Bishop	Date: 2/10/2015
		TRIUMF 4004 Wesbrook Mall Vancouver, B.C. Canada V6T 2A3
File: C:\Repositories\GRIF-VME CLK\AtomiumVME - Clock Distribution Module - Atomic Clock.SchDoc		
		6:42:27 PM



Clock Distribution Module - ARM CPU		
Revision	Drawing #: 8	TRIUMF
2	Sheet #: 8 of 11	4004 Westbrook Mall
	Size: B	Vancouver, B.C.
	Drawn by: D.Bishop	Canada
	Date: 2/10/2015	V6T 2A3



Clock Distribution Module - USB FTDI

Revision	Drawing #: 9		TRIUMF 4004 Wesbrook Mall Vancouver, B.C. Canada V6T 2A3	
2	Sheet #: 9 of 11	Size: A		
	Drawn by: D.Bishop	Date: 2/10/2015		

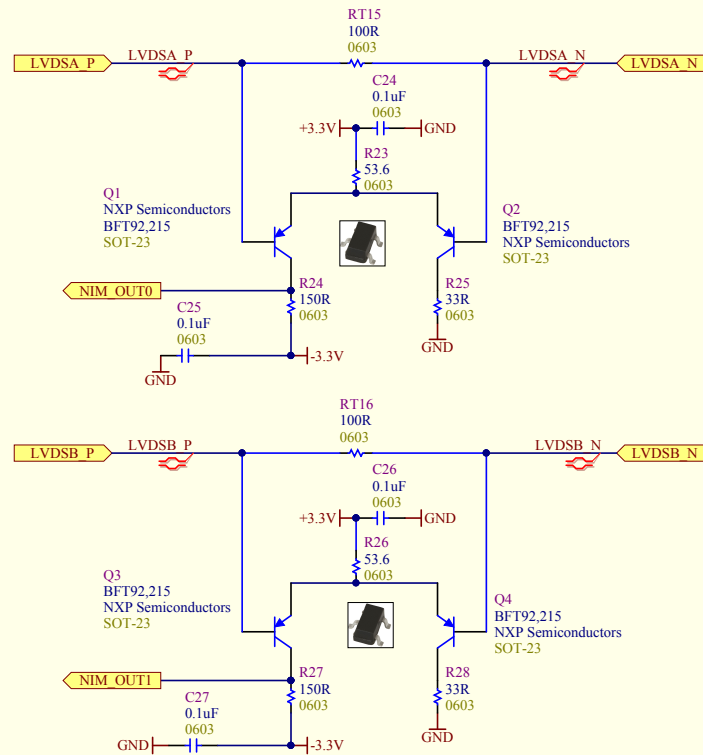
Cyclone - LVDS

Output Offset Voltage


Vos Max: 1.375
 Vos Typ: 1.25
 Vos Min: 1.125

Diff Output Voltage

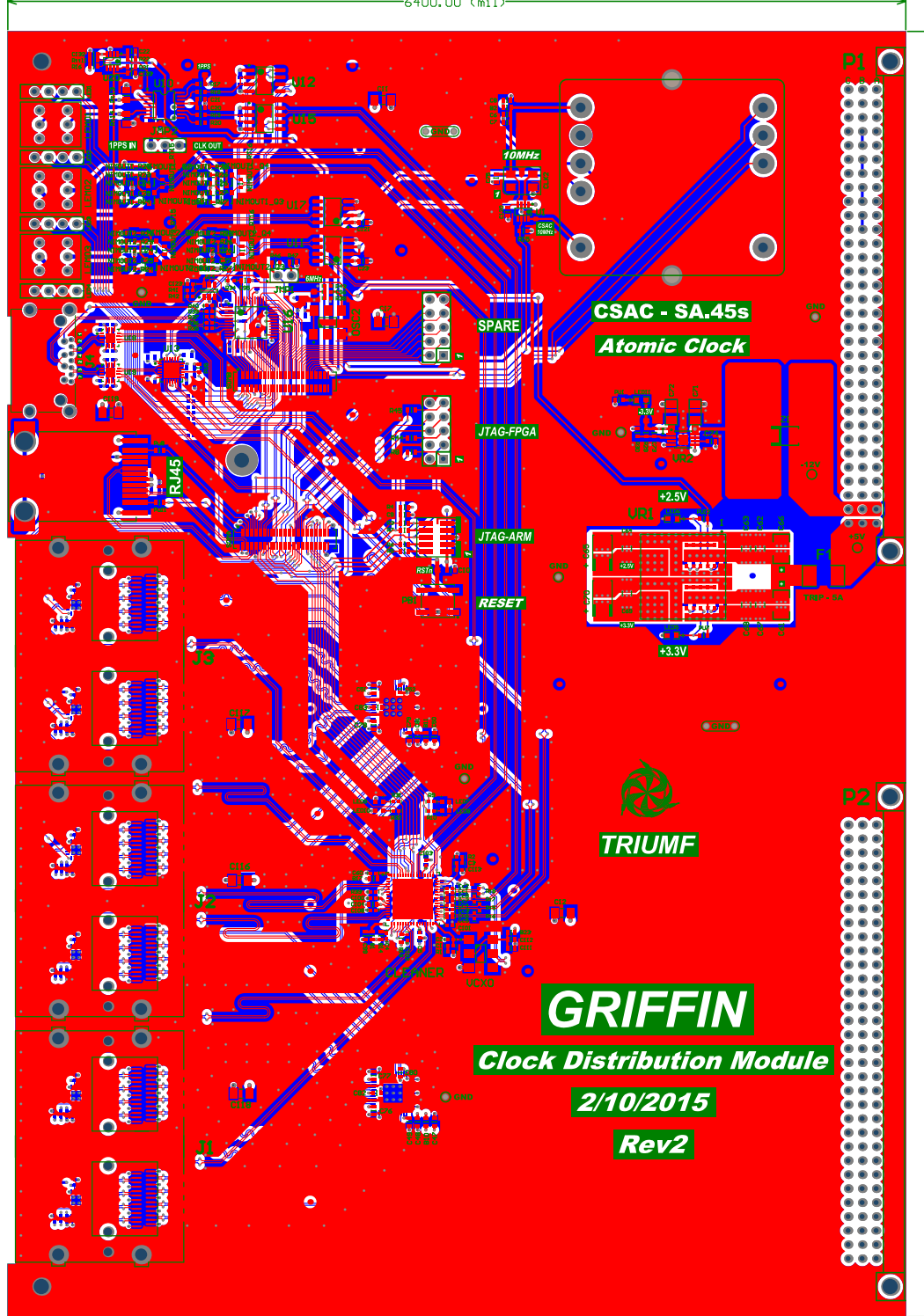
Vod Min: 250mv
 Vod Max: 600mv



Clock Distribution Module - LVDS to NIM/TTL Converter

Revision	Drawing #: 11	TRIUMF 4004 Wesbrook Mall Vancouver, B.C. Canada V6T 2A3		
2	Sheet #: 11 of 11	Size: A		
	Drawn by: D.Bishop	Date: 2/10/2015		
File: C:\Repositories\GRIF-VME CLK\Altium\VME - Clock Distribution Module - LVDS to NIM.SchDoc				

6400.00 (mil)



9185.00 (mil)

GRIFFIN

Clock Distribution Module

2/10/2015

Rev2

Top Layer
Bottom Layer

Top Overlay