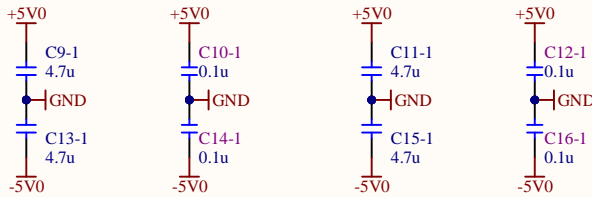
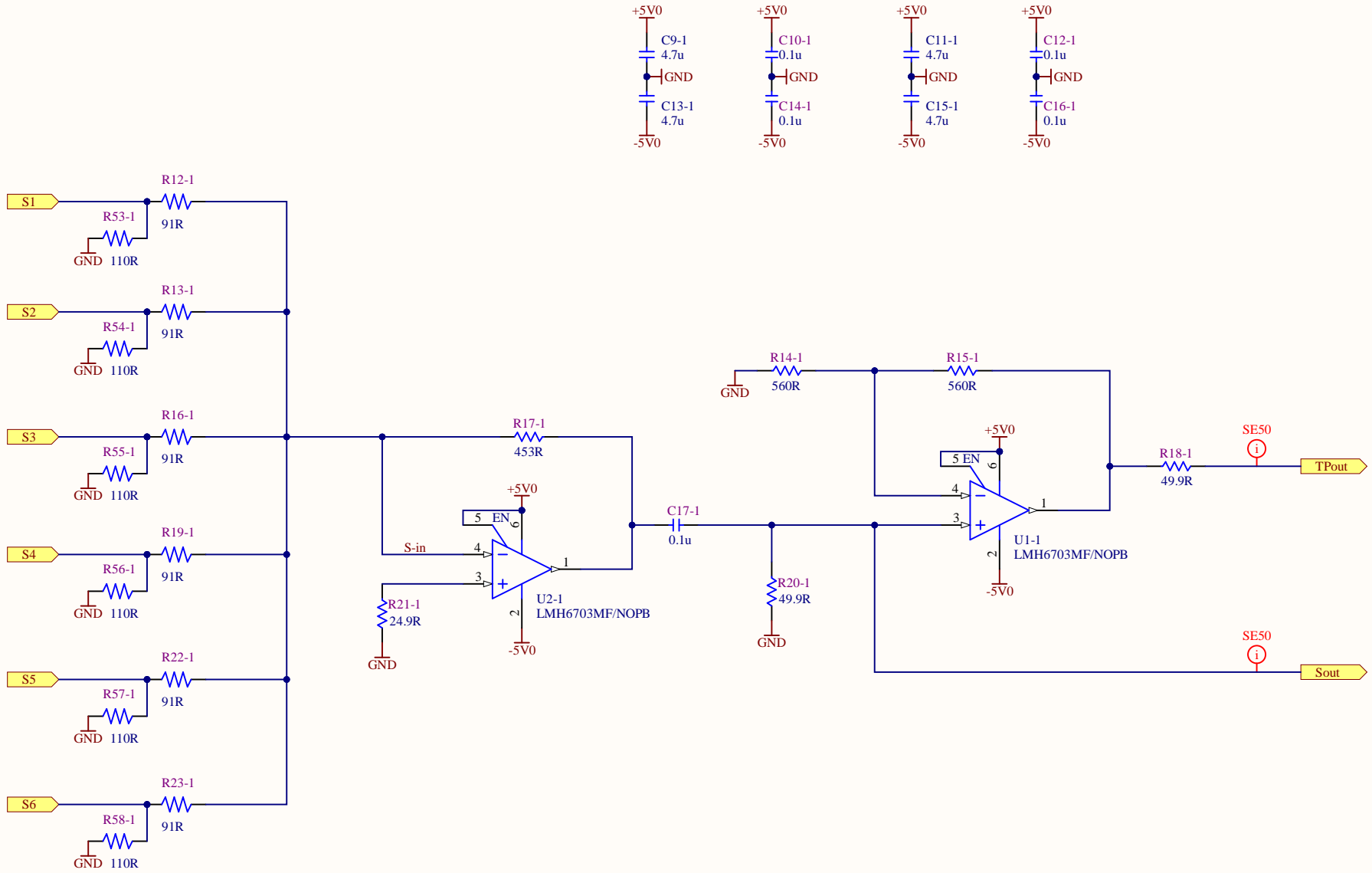
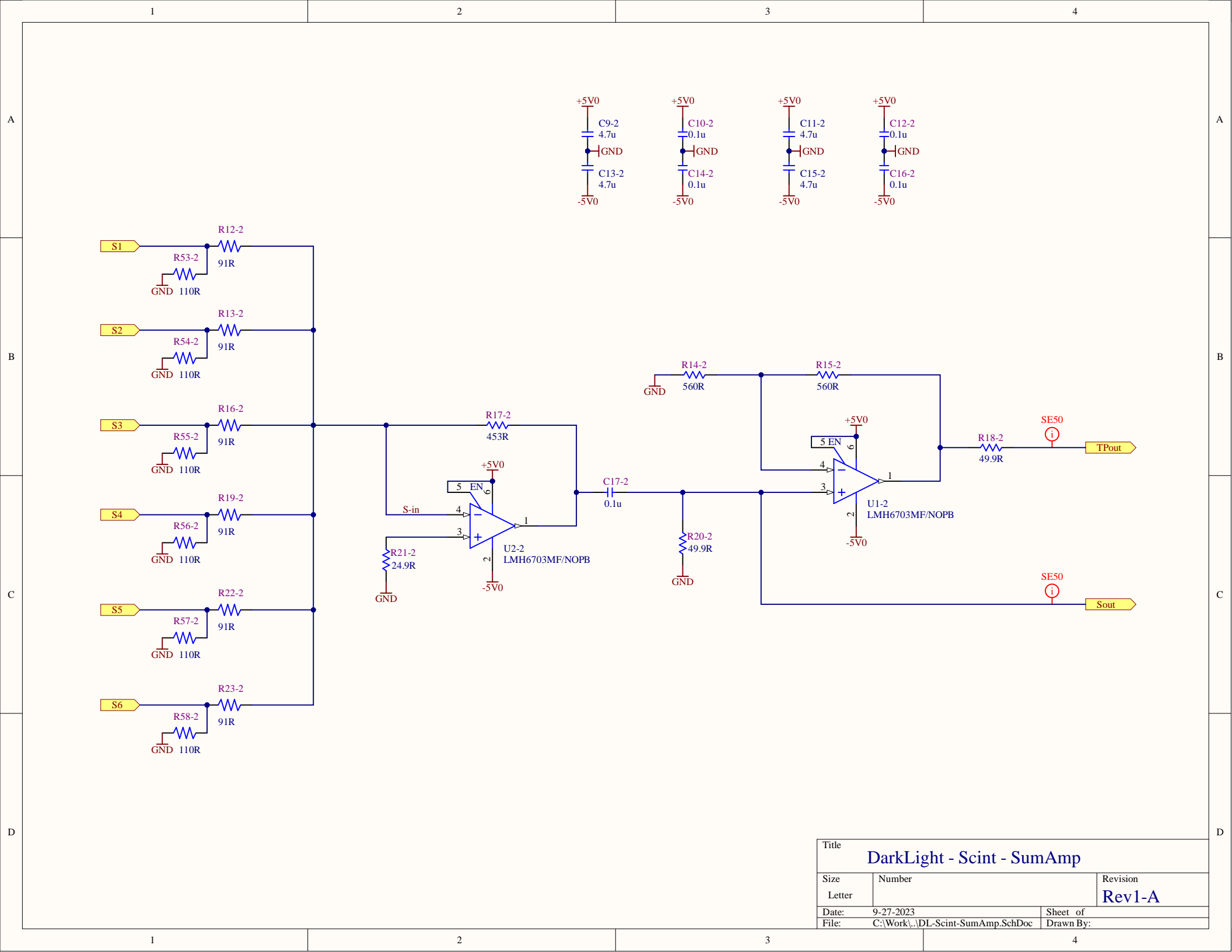


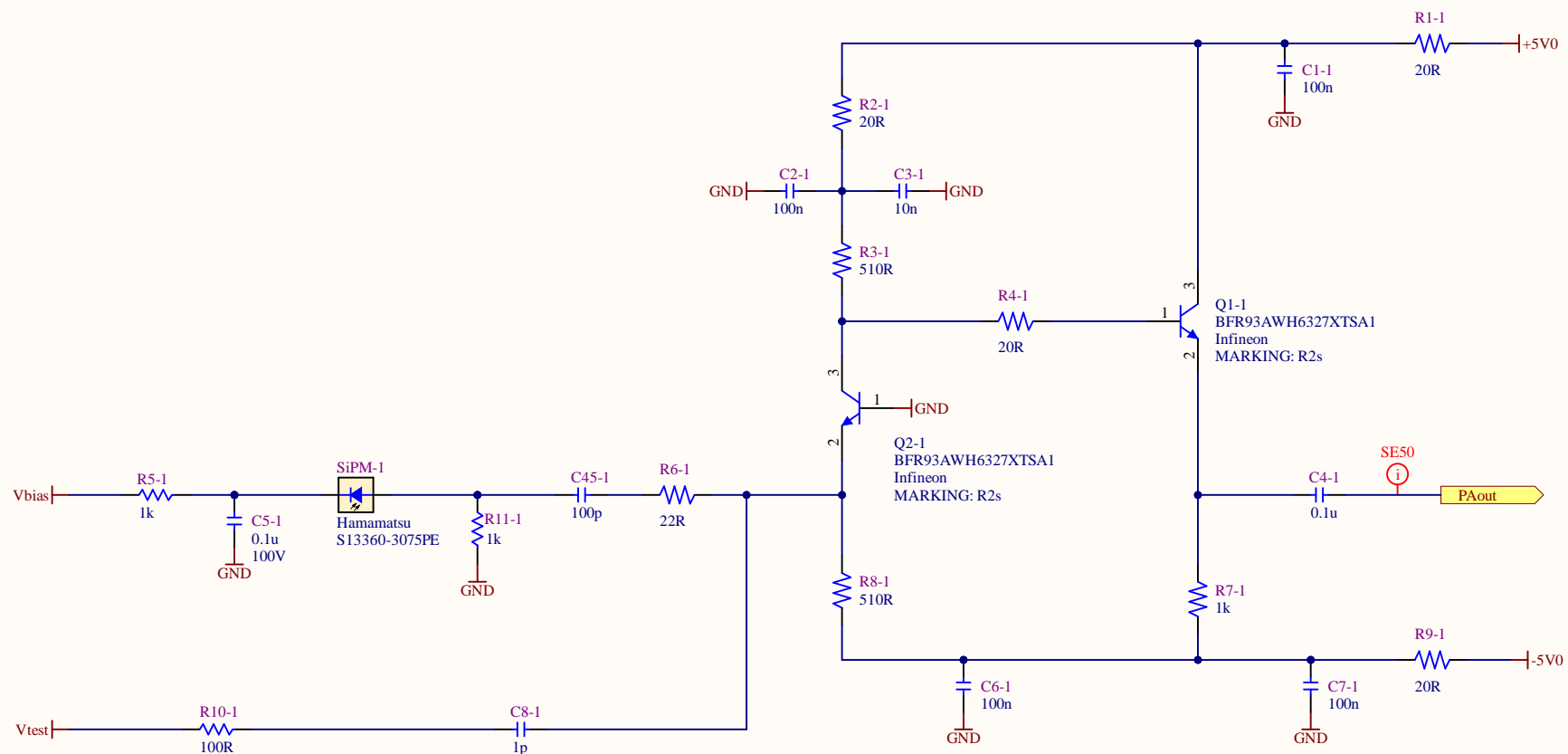
Title		
DarkLight - Scint - Top		
Size Letter	Number	Revision
		Rev1-A
Date:	9-27-2023	Sheet of
File:	C:\Work\DL-Scint-Top.SchDoc	Drawn By:



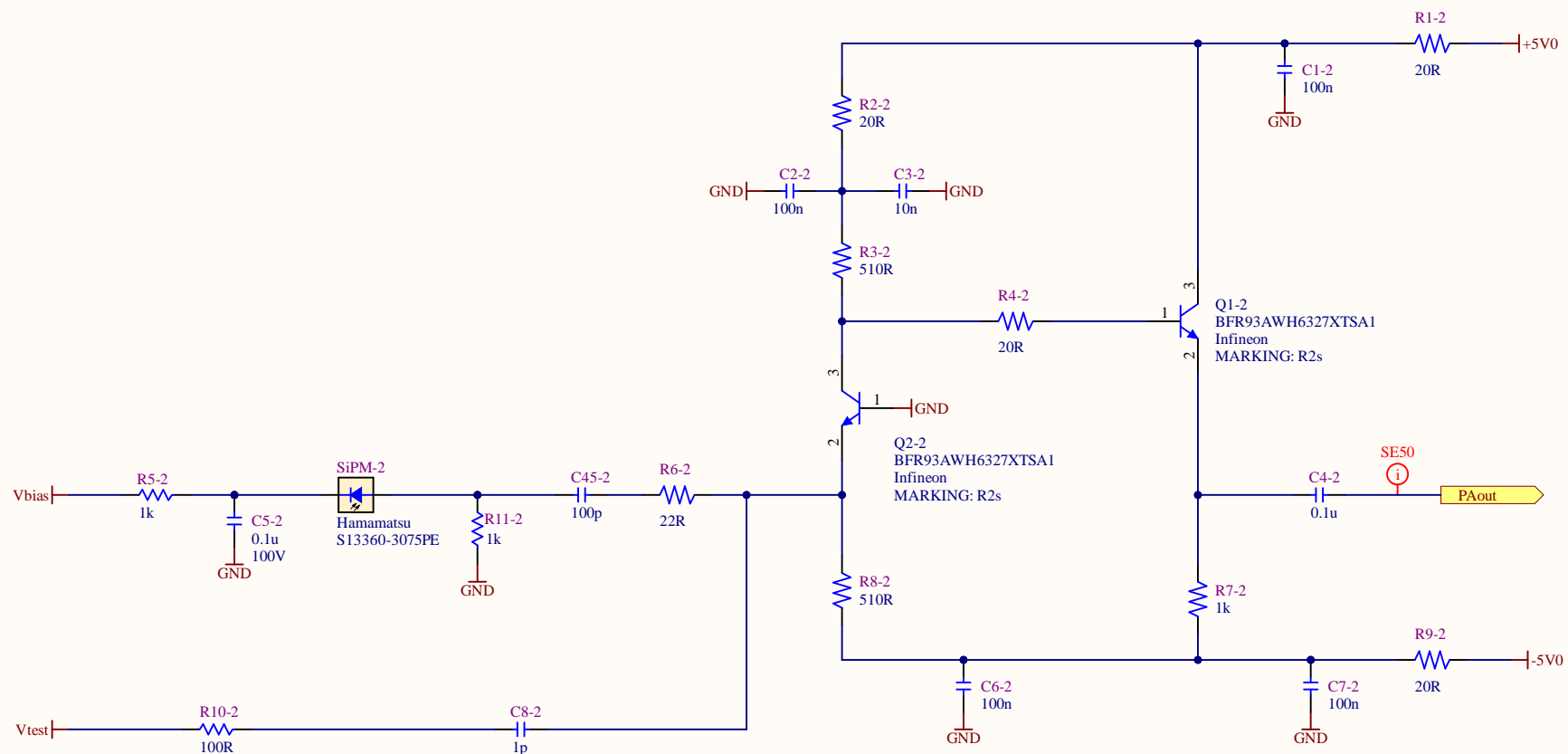
Title		
DarkLight - Scint - SumAmp		
Size	Number	Revision
Letter		Rev1-A
Date:	9-27-2023	Sheet of
File:	C:\Work\...\DL-Scint-SumAmp.SchDoc	Drawn By:



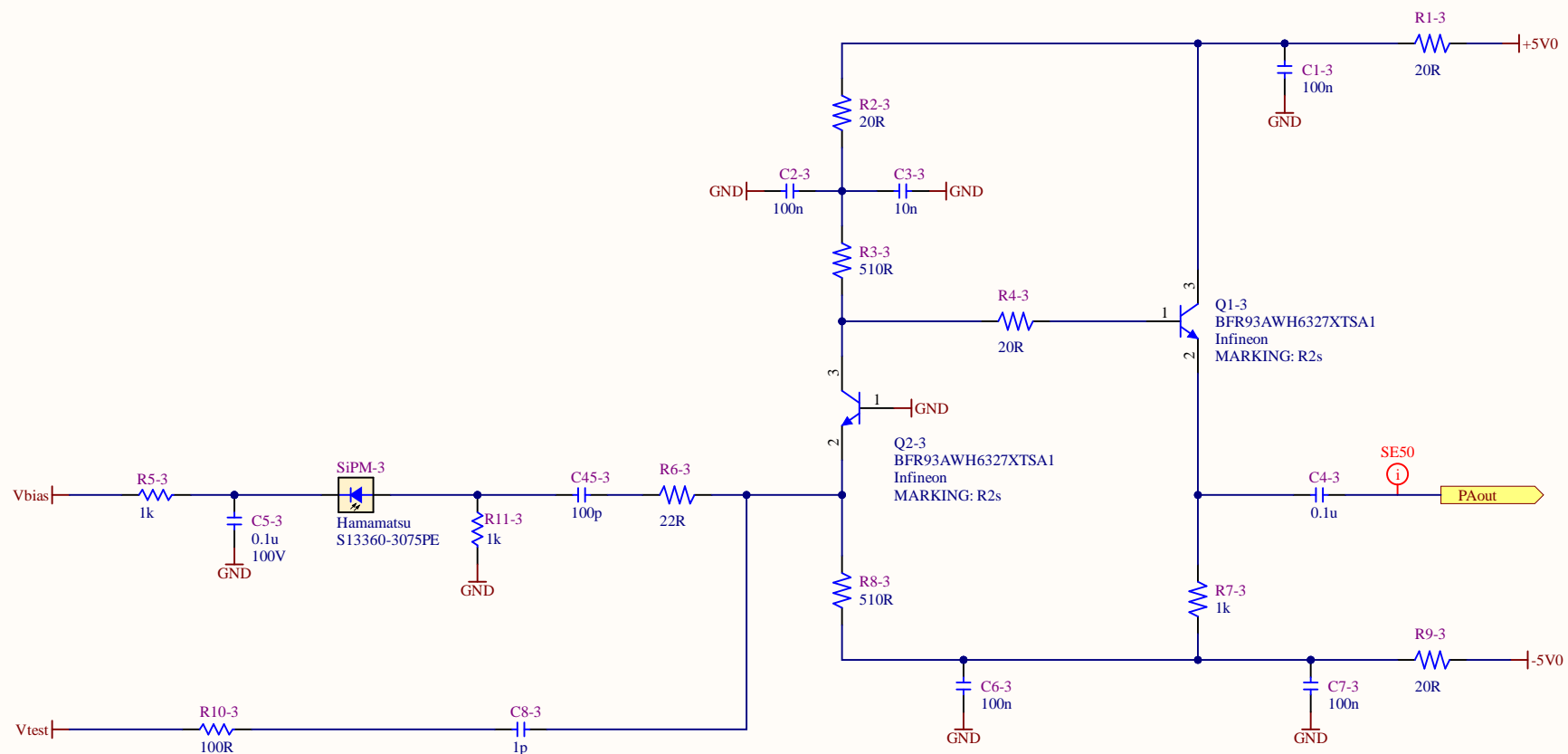
Title		
DarkLight - Scint - SumAmp		
Size	Number	Revision
Letter		Rev1-A
Date:	9-27-2023	Sheet of
File:	C:\Work\...\DL-Scint-SumAmp.SchDoc	Drawn By:



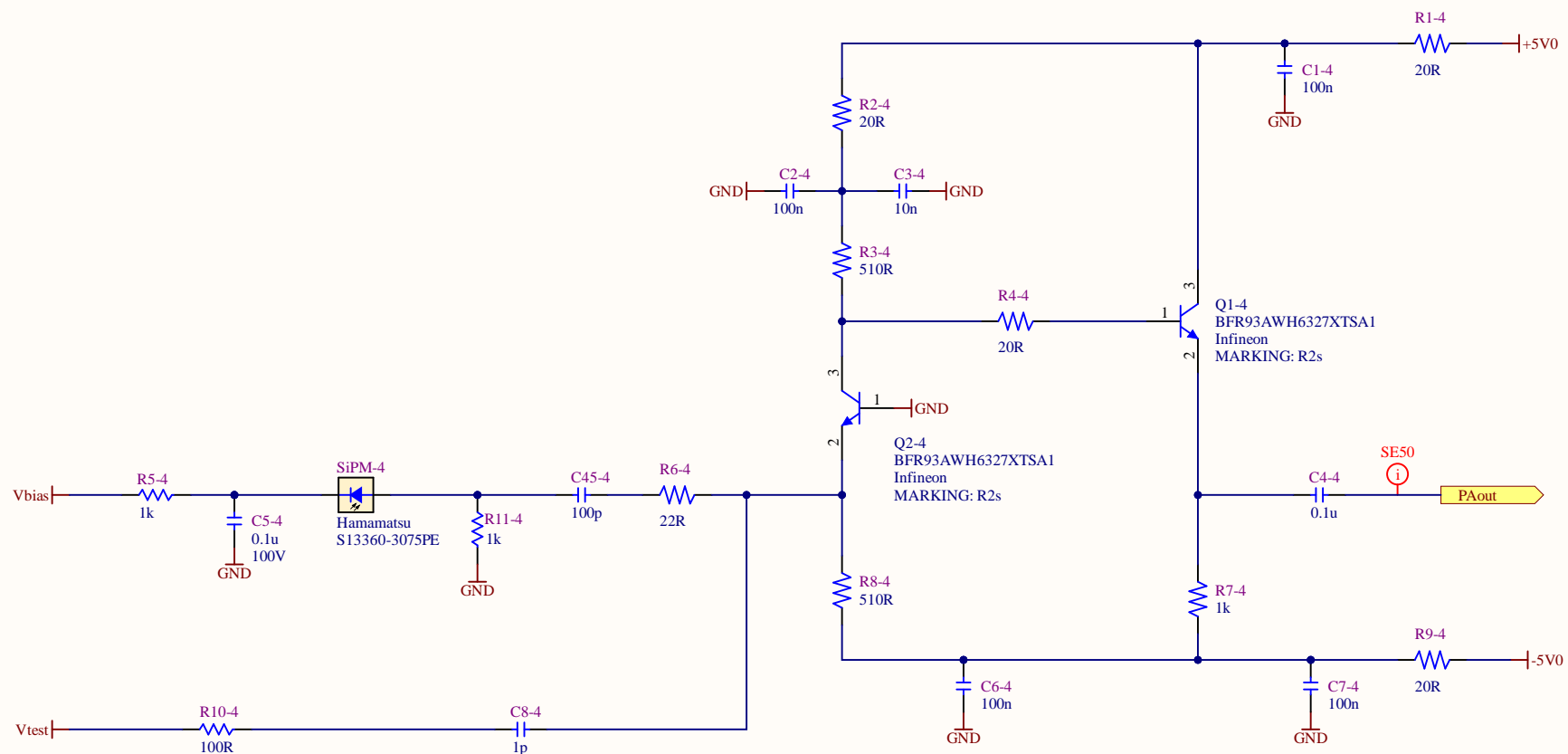
Title		
DarkLight - Scint - PreAmp		
Size	Number	Revision
Letter		Rev1-A
Date:	9-27-2023	Sheet of
File:	C:\Work\...DL-Scint-PreAmp.SchDoc	Drawn By:



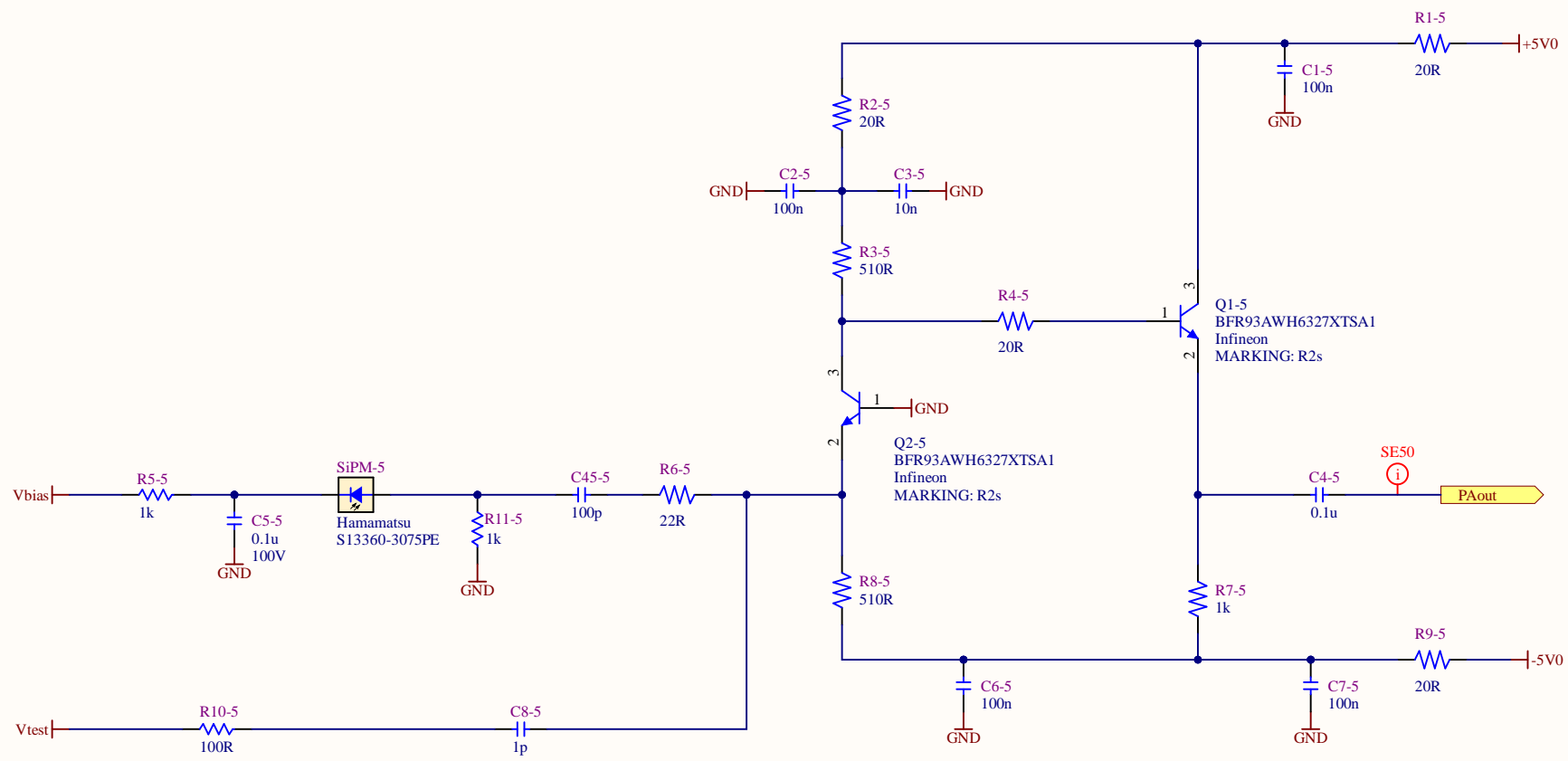
Title		
DarkLight - Scint - PreAmp		
Size	Number	Revision
Letter		Rev1-A
Date:	9-27-2023	Sheet of
File:	C:\Work\...\DL-Scint-PreAmp.SchDoc	Drawn By:



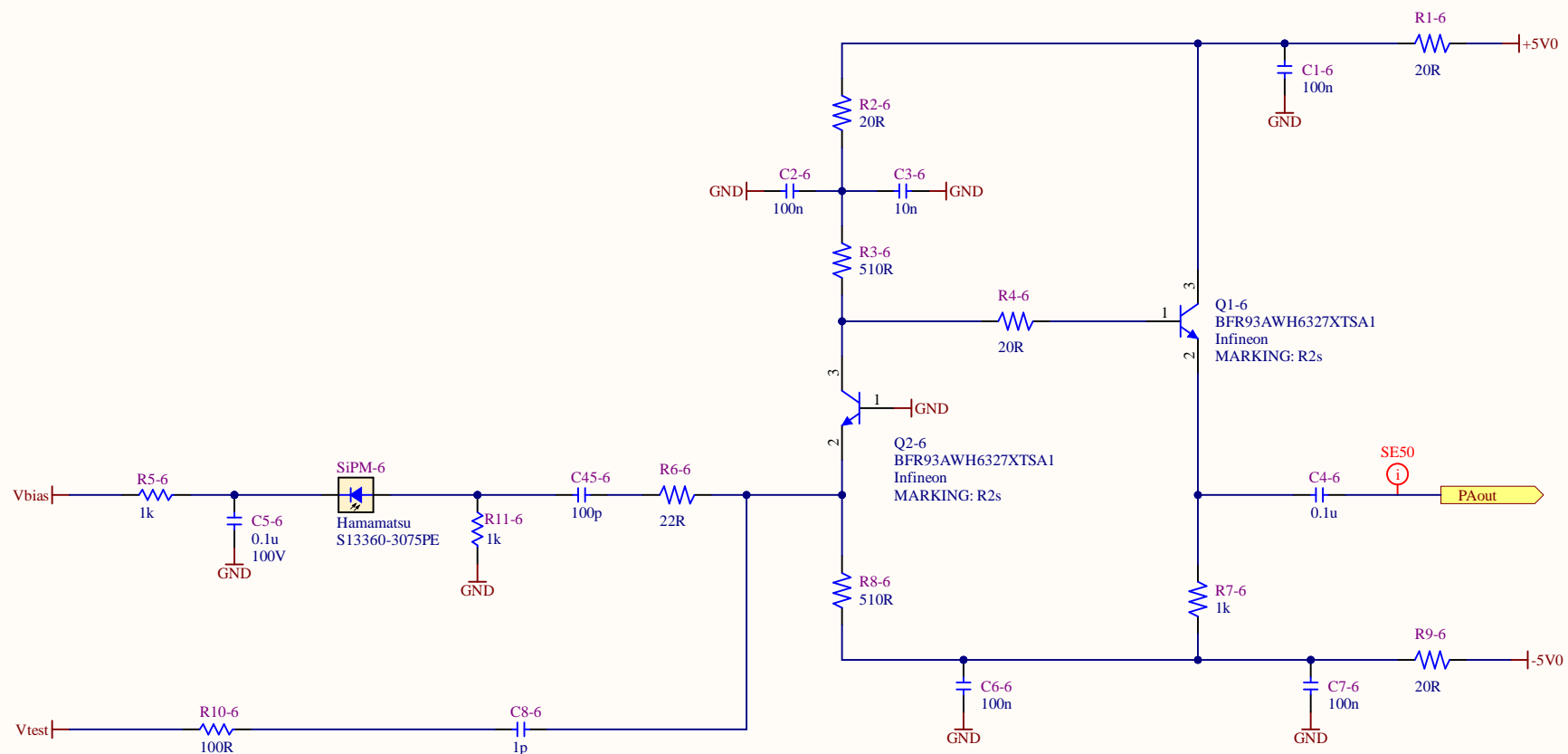
Title		
DarkLight - Scint - PreAmp		
Size	Number	Revision
Letter		Rev1-A
Date:	9-27-2023	Sheet of
File:	C:\Work\...\DL-Scint-PreAmp.SchDoc	Drawn By:



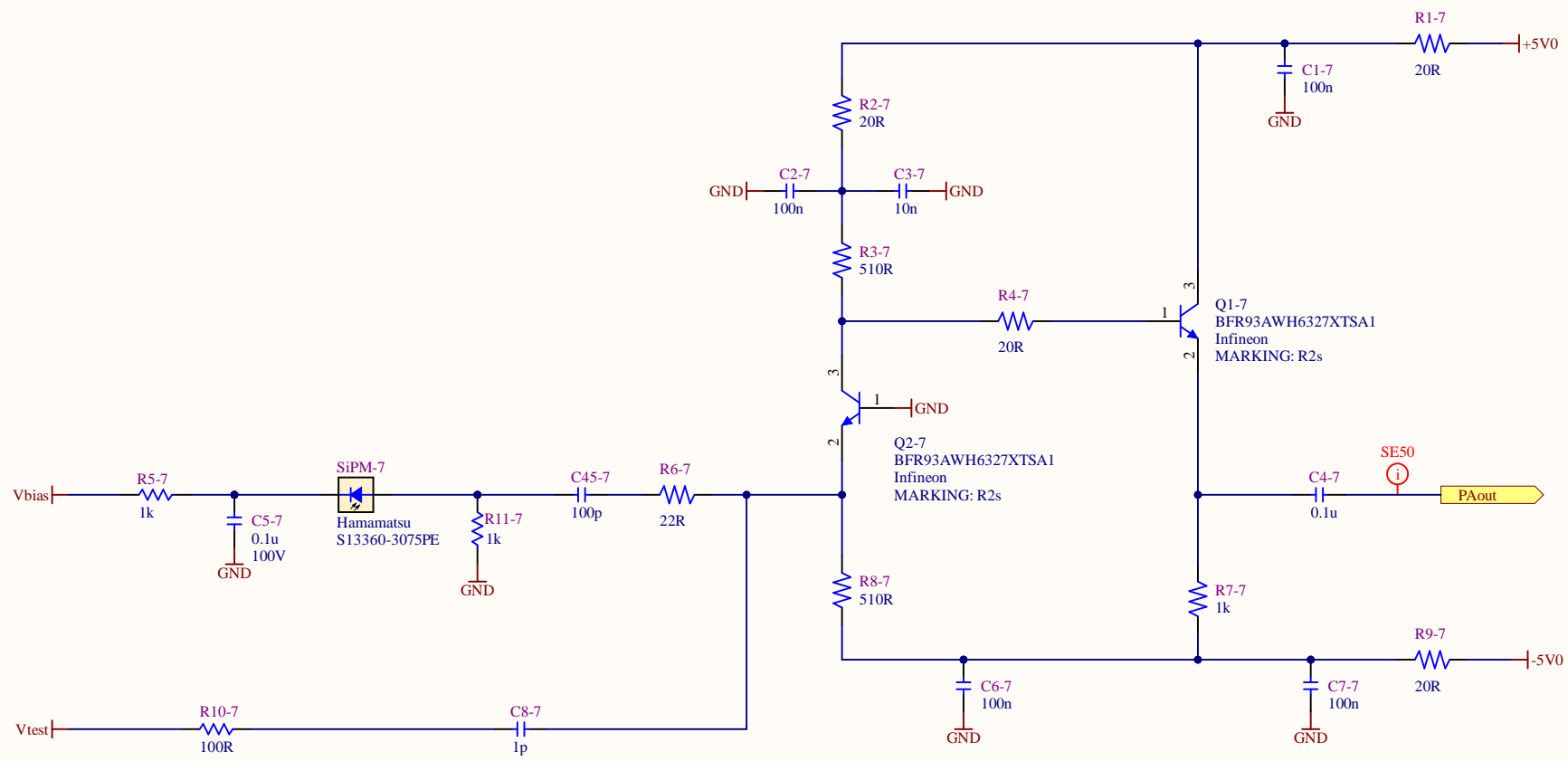
Title		
DarkLight - Scint - PreAmp		
Size	Number	Revision
Letter		Rev1-A
Date:	9-27-2023	Sheet of
File:	C:\Work\...\DL-Scint-PreAmp.SchDoc	Drawn By:



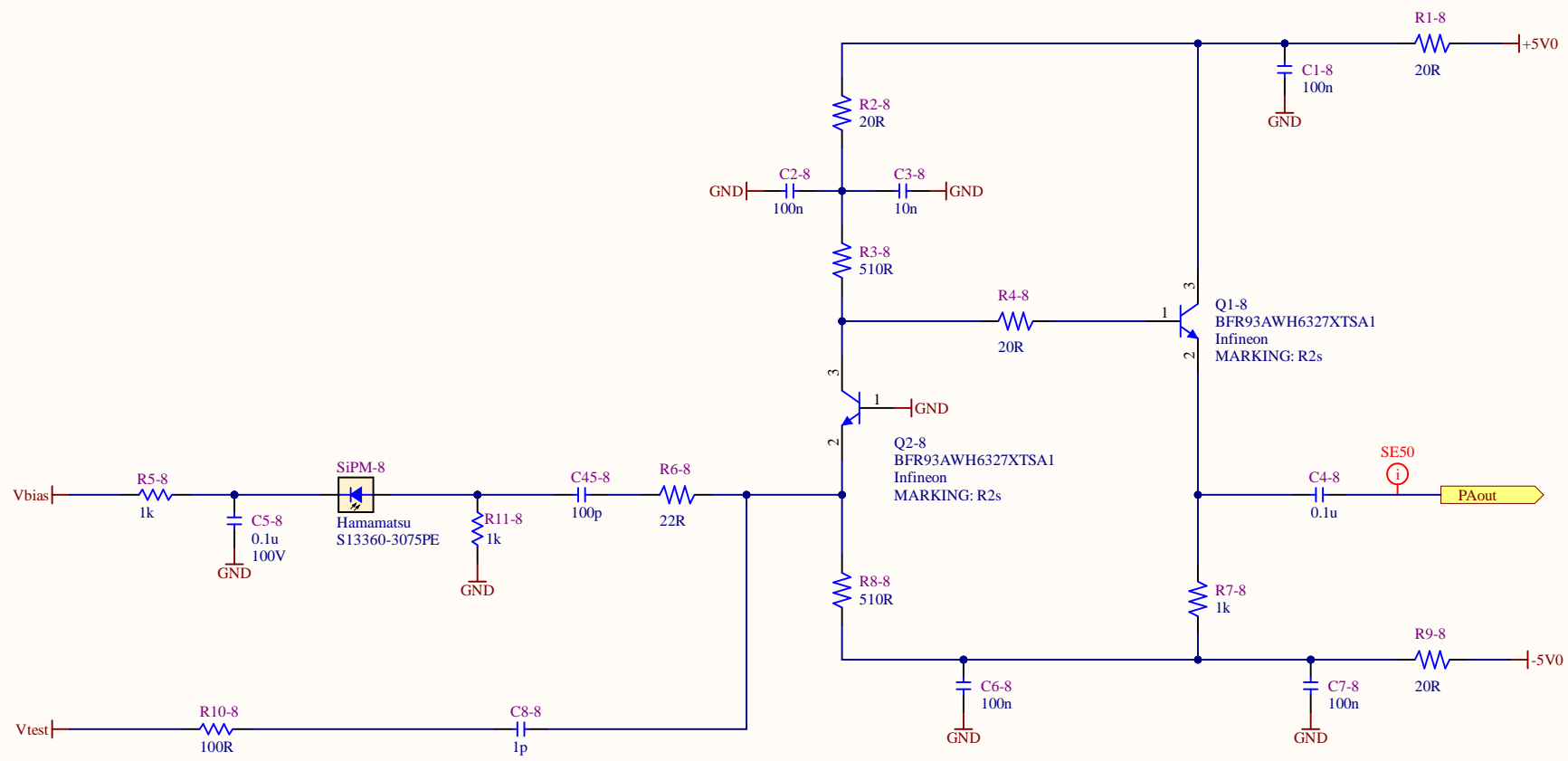
Title		
DarkLight - Scint - PreAmp		
Size	Number	Revision
Letter		Rev1-A
Date:	9-27-2023	Sheet of
File:	C:\Work\...\DL-Scint-PreAmp.SchDoc	Drawn By:



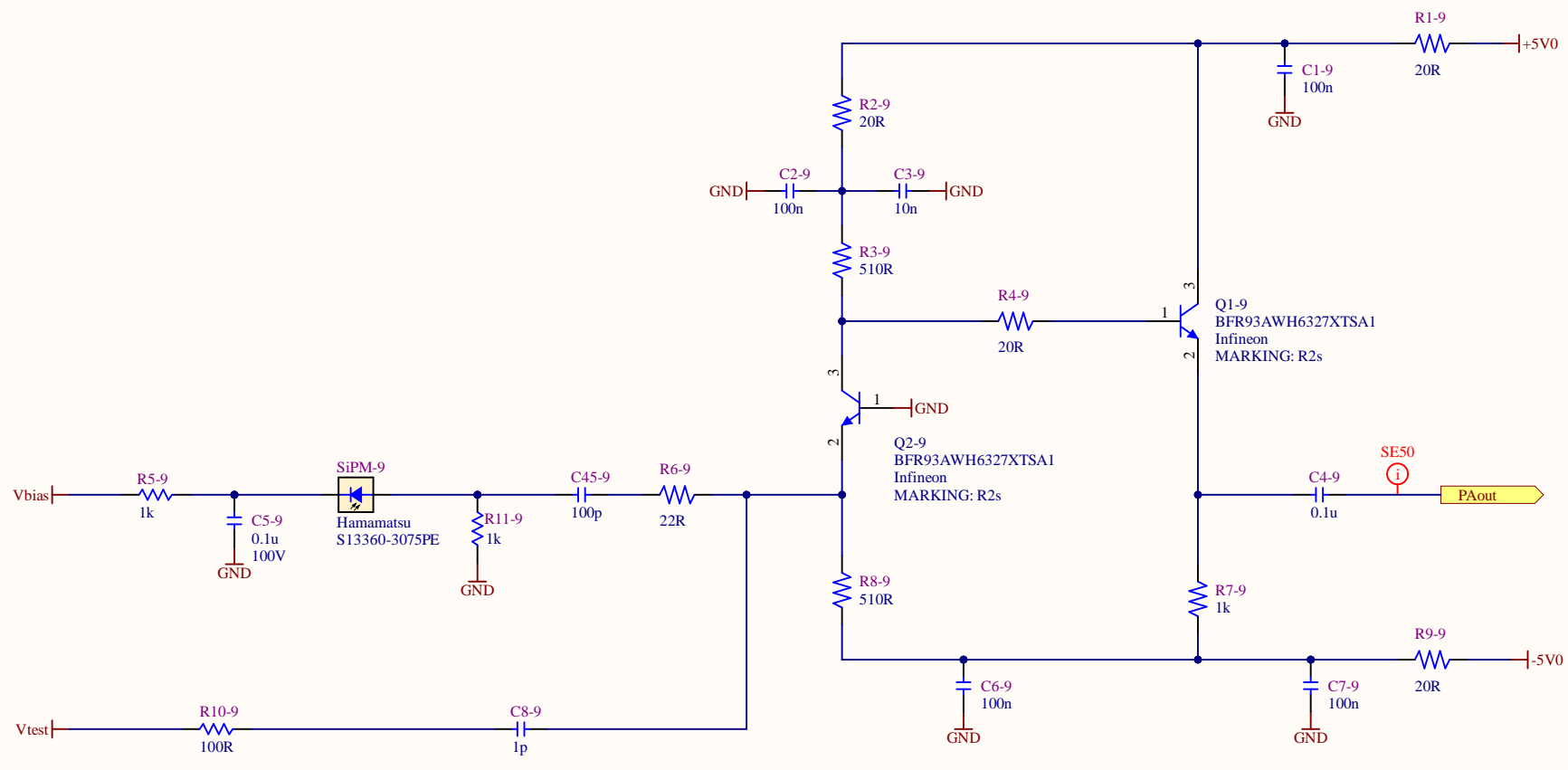
Title		
DarkLight - Scint - PreAmp		
Size	Number	Revision
Letter		Rev1-A
Date:	9-27-2023	Sheet of
File:	C:\Work\...\DL-Scint-PreAmp.SchDoc	Drawn By:



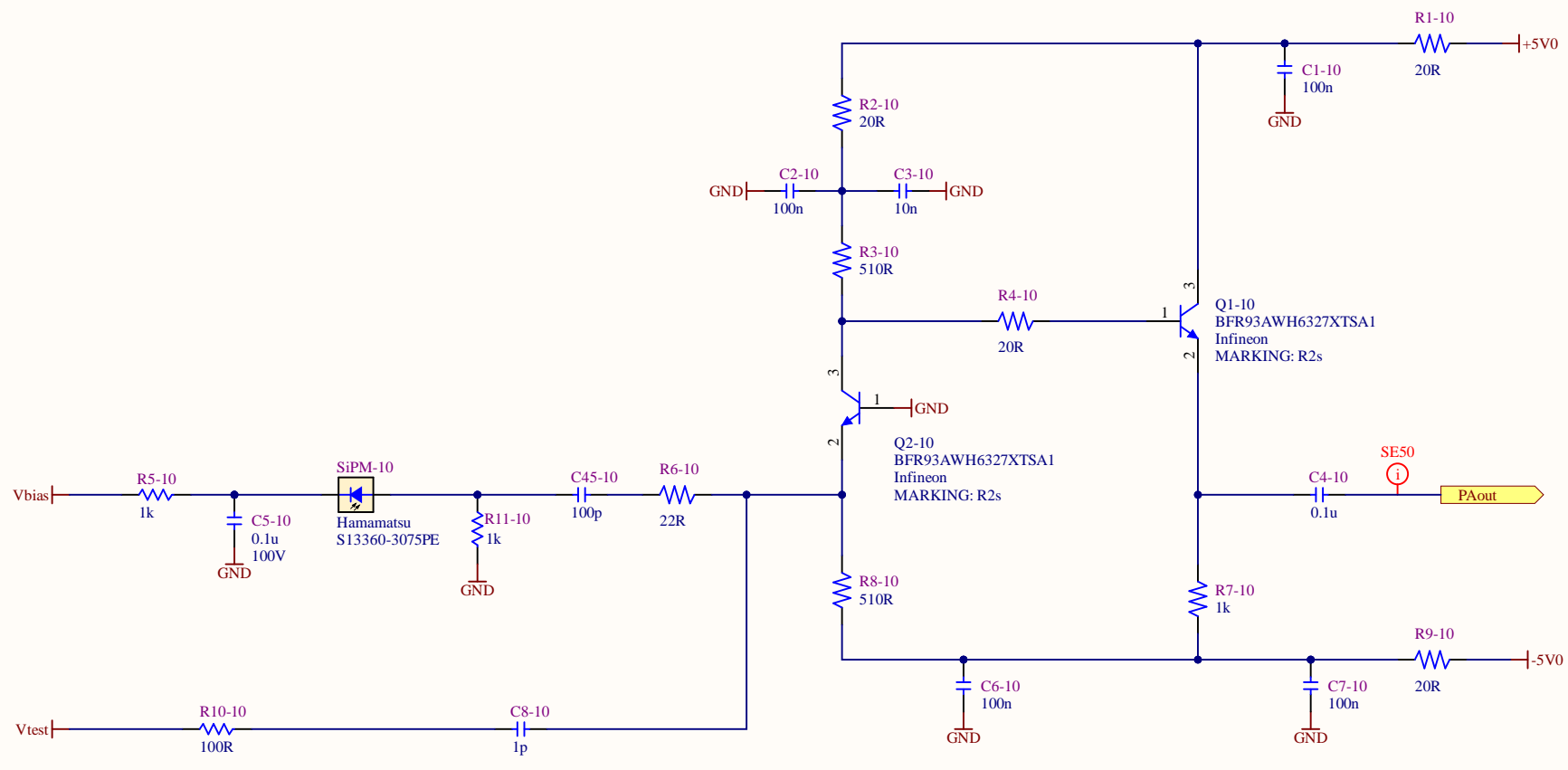
Title		
DarkLight - Scint - PreAmp		
Size	Number	Revision
Letter		Rev1-A
Date:	9-27-2023	Sheet of
File:	C:\Work\...\DL-Scint-PreAmp.SchDoc	Drawn By:



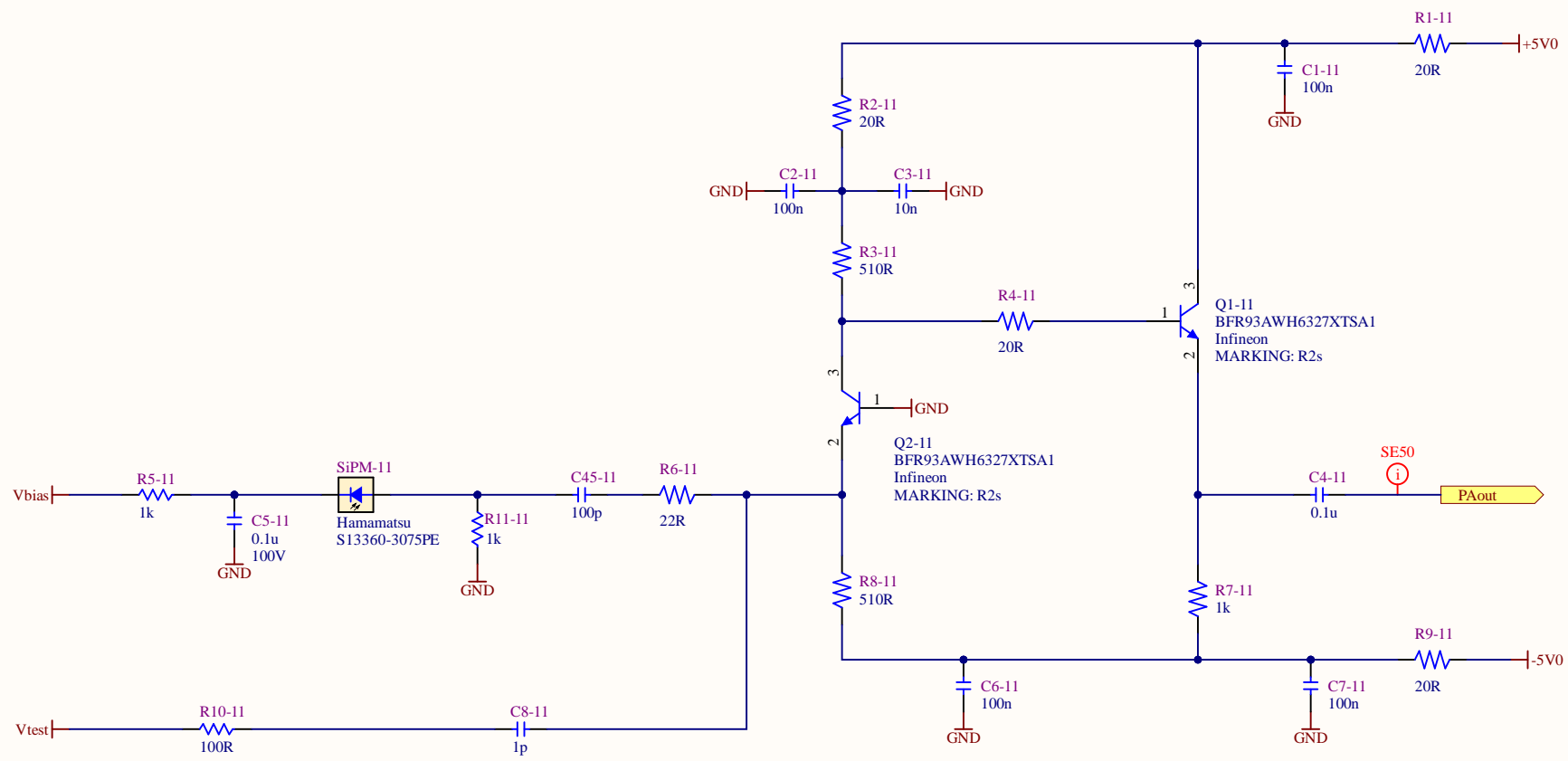
Title		
DarkLight - Scint - PreAmp		
Size	Number	Revision
Letter		Rev1-A
Date:	9-27-2023	Sheet of
File:	C:\Work\...\DL-Scint-PreAmp.SchDoc	Drawn By:



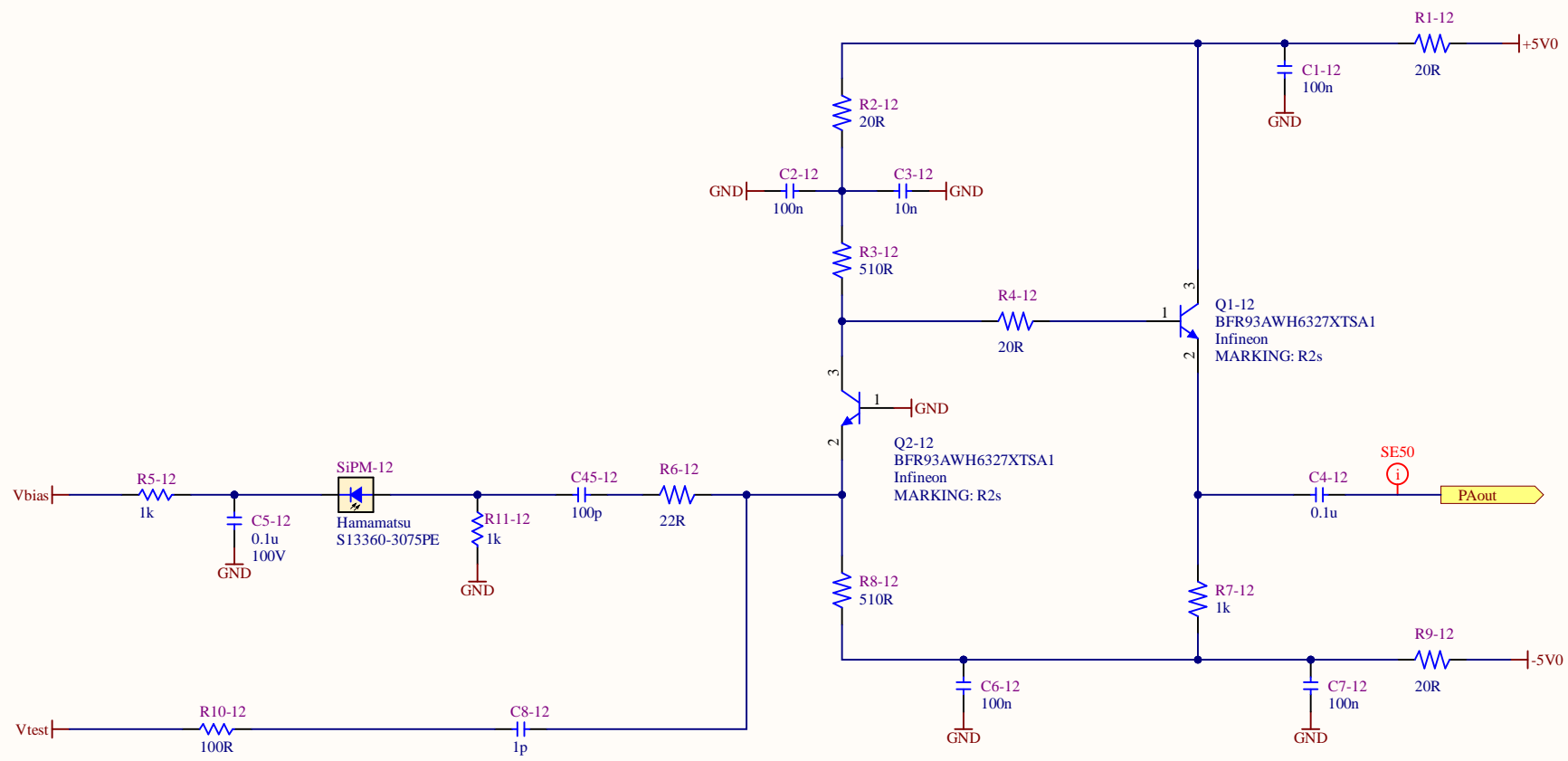
Title		
DarkLight - Scint - PreAmp		
Size	Number	Revision
Letter		Rev1-A
Date:	9-27-2023	Sheet of
File:	C:\Work\...\DL-Scint-PreAmp.SchDoc	Drawn By:



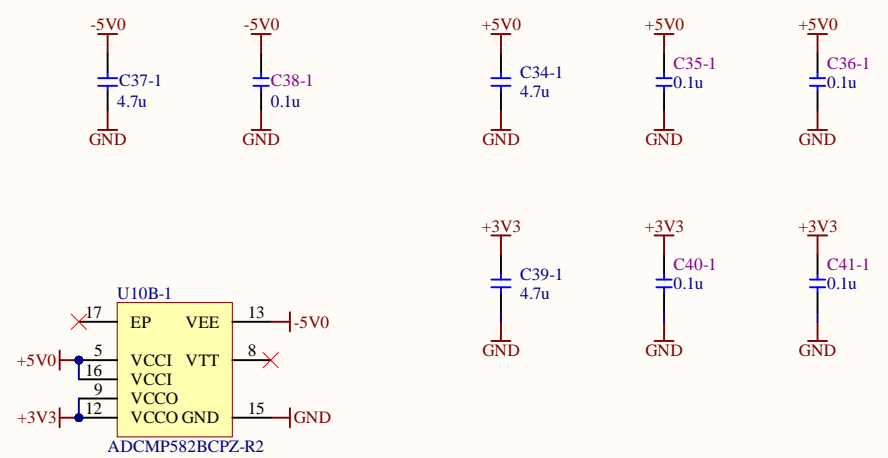
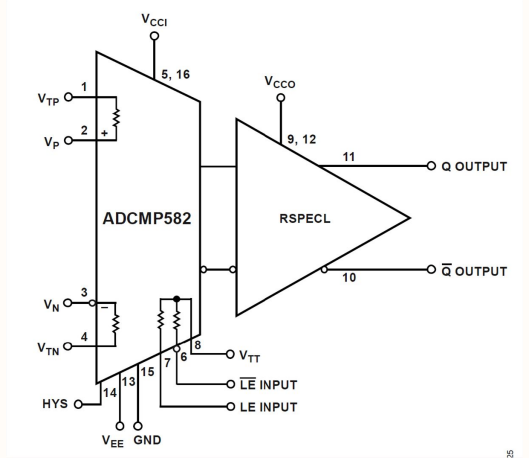
Title		
DarkLight - Scint - PreAmp		
Size	Number	Revision
Letter		Rev1-A
Date:	9-27-2023	Sheet of
File:	C:\Work\...\DL-Scint-PreAmp.SchDoc	Drawn By:



Title		
DarkLight - Scint - PreAmp		
Size	Number	Revision
Letter		Rev1-A
Date:	9-27-2023	Sheet of
File:	C:\Work\...\DL-Scint-PreAmp.SchDoc	Drawn By:



Title		
DarkLight - Scint - PreAmp		
Size	Number	Revision
Letter		Rev1-A
Date:	9-27-2023	Sheet of
File:	C:\Work\...\DL-Scint-PreAmp.SchDoc	Drawn By:

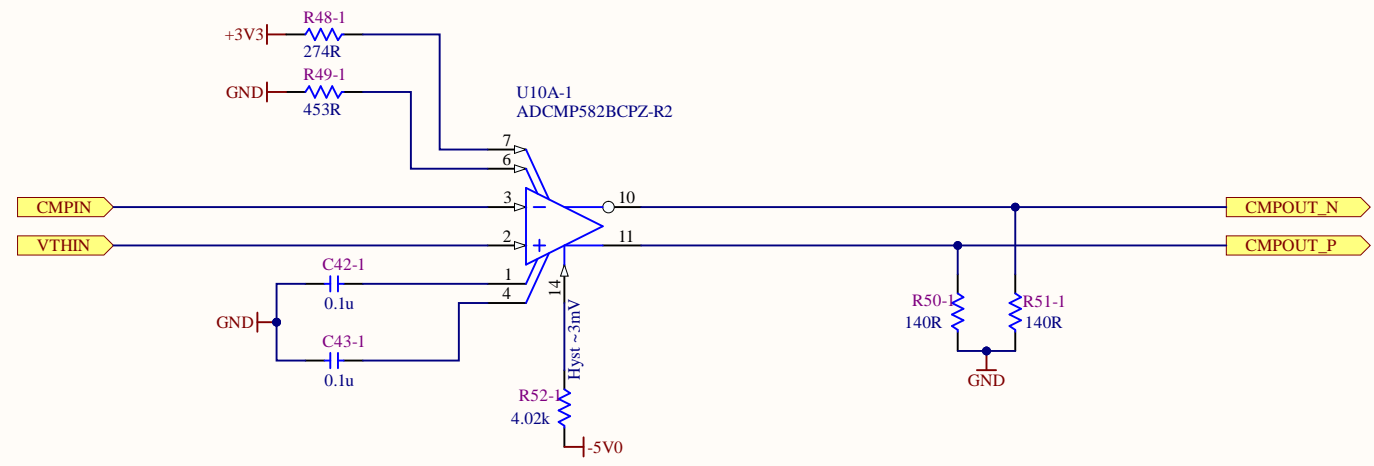


ADCMP582 (PECL)

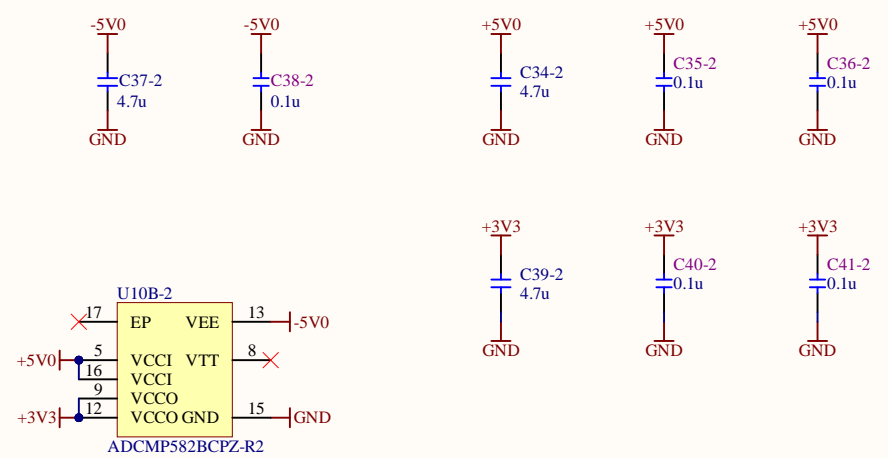
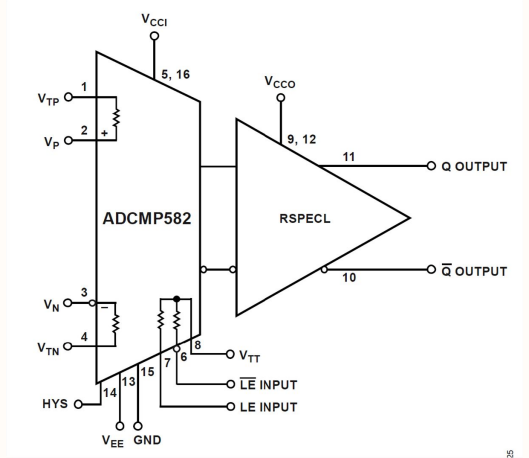
Latch Enable Input Range				
Latch Enable Input Differential				
	$V_{CC0} - 1.8$	$V_{CC0} - 0.8$		
	0.2	0.4	0.5	V

Latch disabled = $\text{Log I} = \text{LE}_P - \text{LE}_N = 0.4\text{V}$
 LEpins are terminated 50R to Vtt pin

$0.4\text{V}/100\text{R} = 4\text{mA}$
 $3.3\text{V}/4\text{mA} = 825\text{R}$



Title			DarkLight - Scint - Comparator		
Size	Number		Revision		
Letter			Rev1-A		
Date:	9-27-2023		Sheet of		
File:	C:\Work\...\DL-Scint-Comparator.SchDoc		Drawn By:		

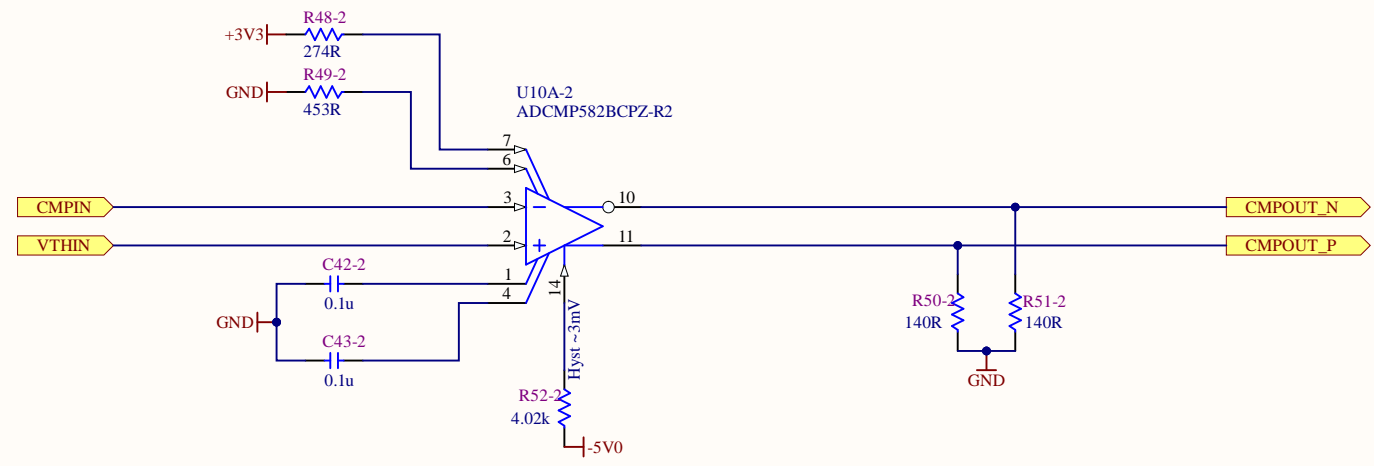


ADCMP582 (PECL)

Latch Enable Input Range				
Latch Enable Input Differential				
	V _{CC0} - 1.8		V _{CC0} - 0.8	V
	0.2	0.4	0.5	V

Latch disabled = $\text{Log I} = \text{LE}_P - \text{LE}_N = 0.4\text{V}$
 LEpins are terminated 50R to Vtt pin

$0.4\text{V}/100\text{R} = 4\text{mA}$
 $3.3\text{V}/4\text{mA} = 825\text{R}$



Title			DarkLight - Scint - Comparator		
Size	Number		Revision		
Letter			Rev1-A		
Date:	9-27-2023		Sheet of		
File:	C:\Work\...\DL-Scint-Comparator.SchDoc		Drawn By:		