
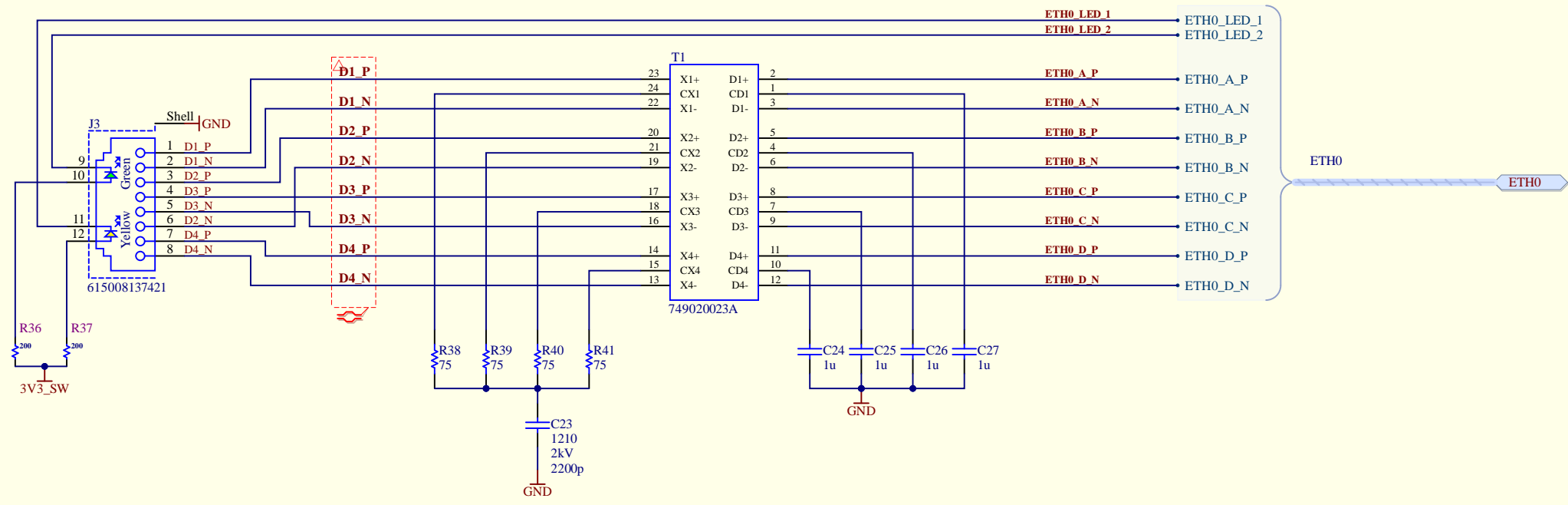
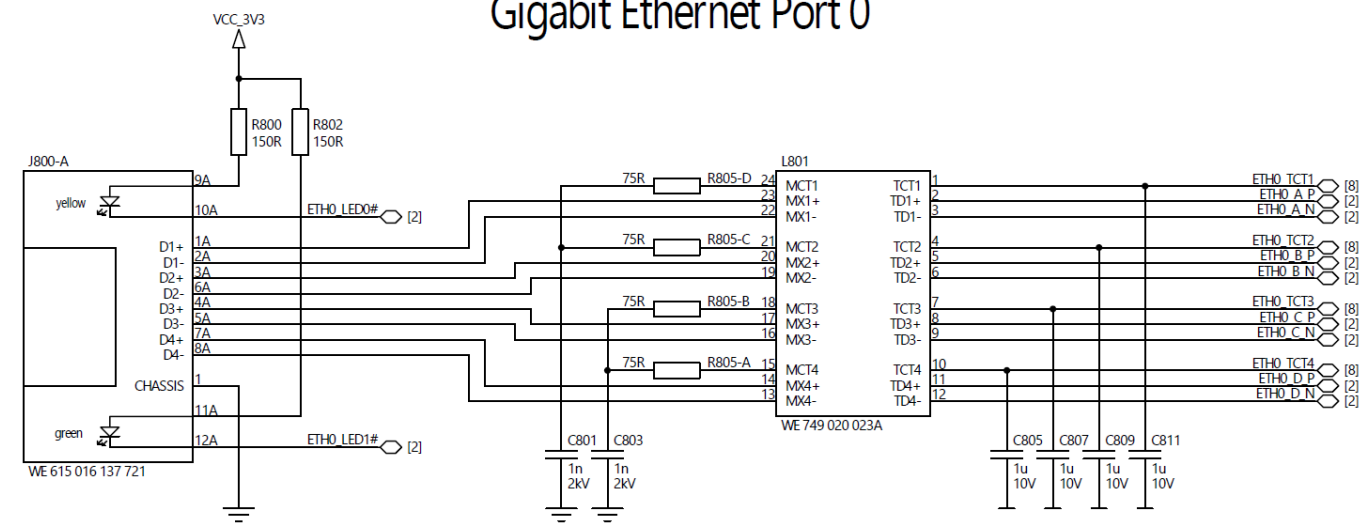
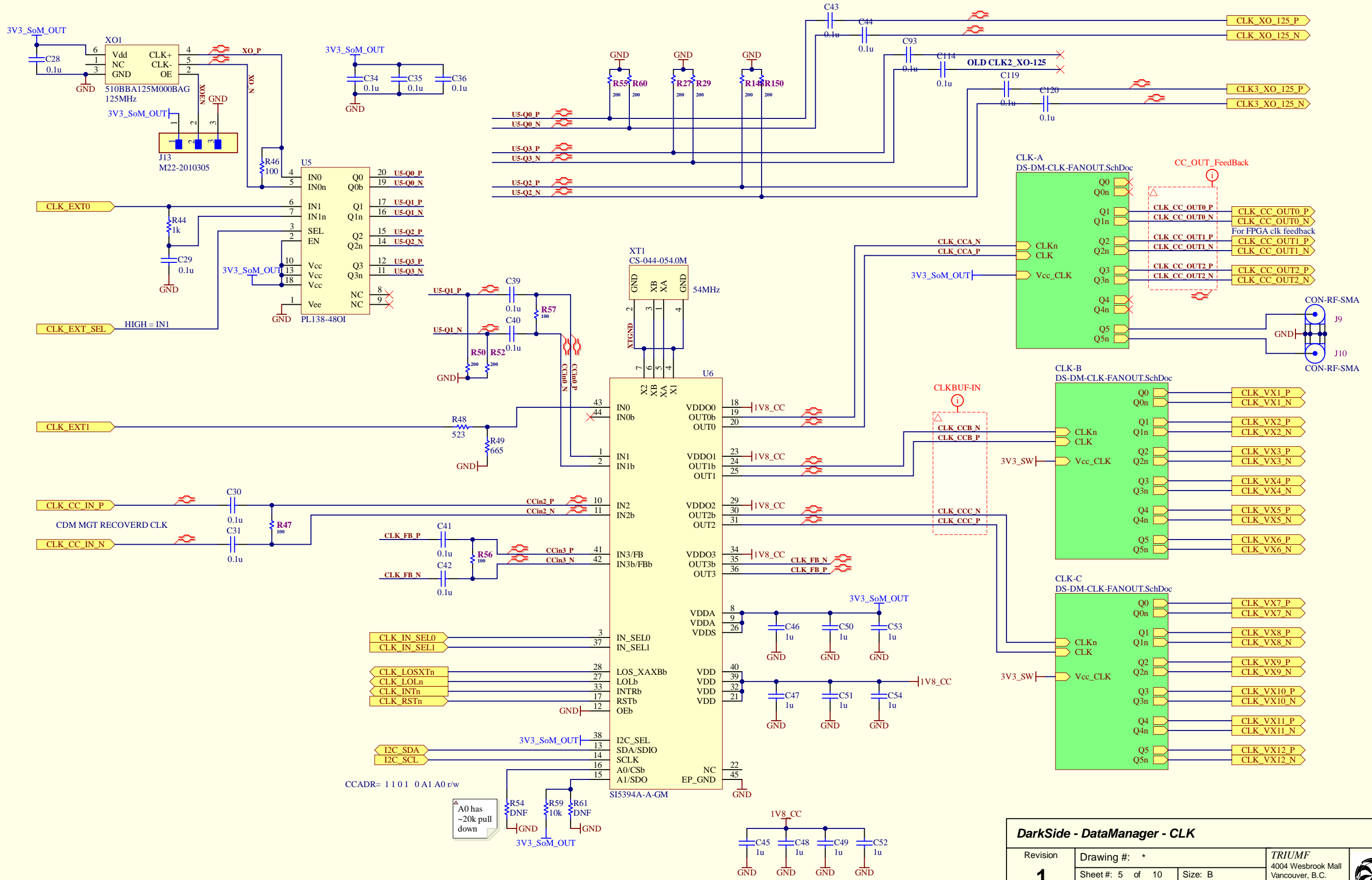


### DarkSide - DataManager - SFP

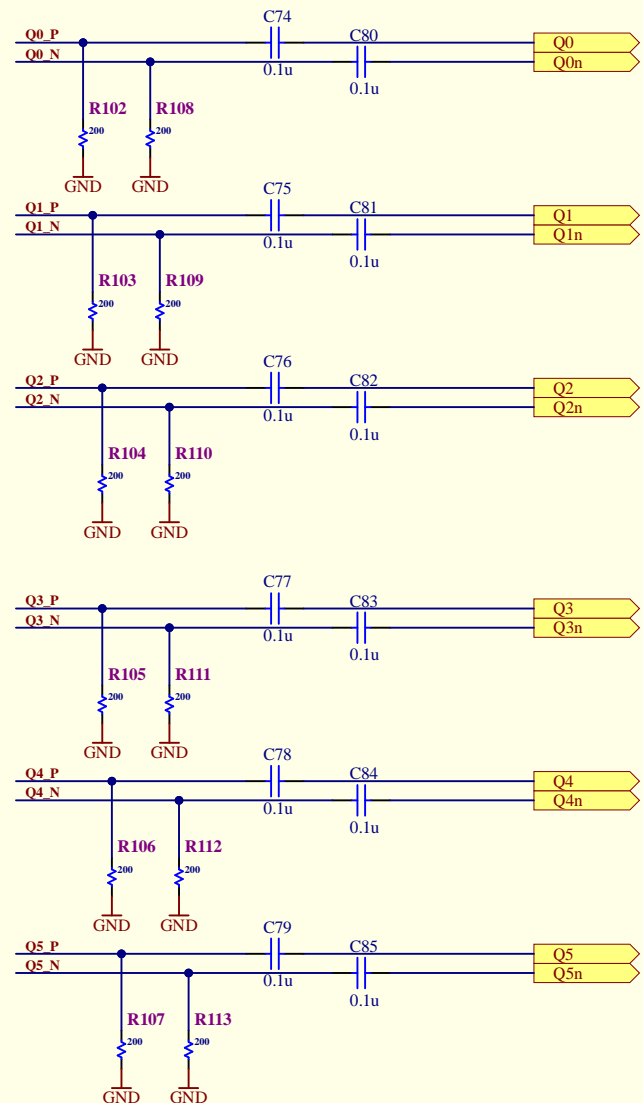
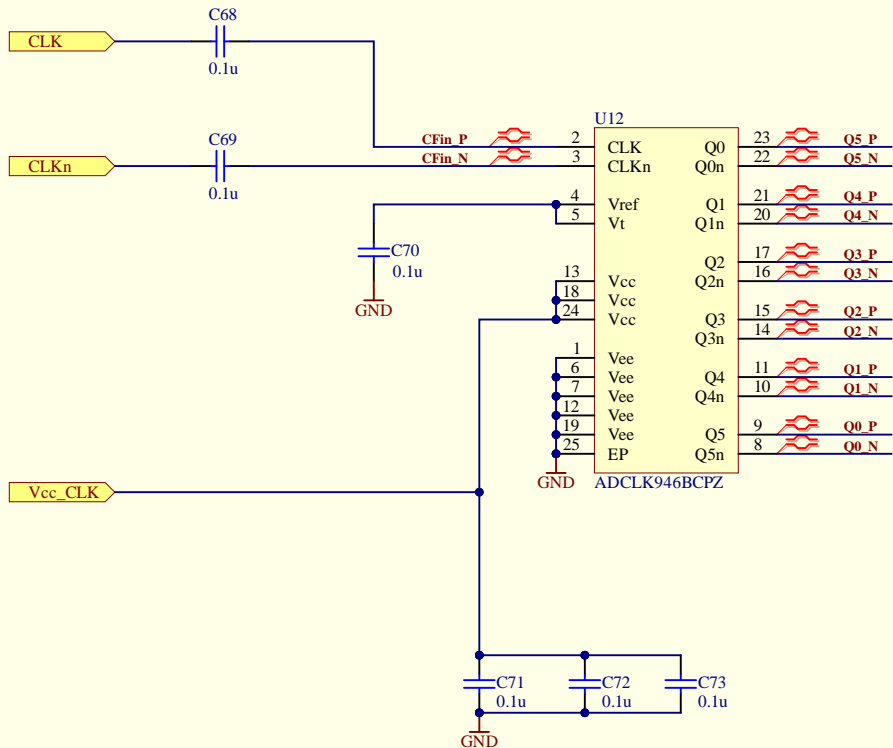
Revision	Drawing #: *		<b>TRIUMF</b> 4004 Wesbrook Mall Vancouver, B.C. Canada V6T 2A3	
<b>1</b>	Sheet #: 3 of 10	Size: A		
Drawn by: *	Date: 2024-11-26			
File: C:\Work\DarkSide 20k\rev1\DS-DM-SFP.SchDoc				
				01:33:40 PM

# Gigabit Ethernet Port 0






DarkSide - DataManager - CLK			
Revision	Drawing #:	*	
<b>1</b>	Sheet #:	5	of 10
	Drawn by:	*	
	Date:	2024-11-26	
	Size:	B	
		TRIUMF 4004 Wesbrook Mall Vancouver, B.C. Canada V6T 2A3	
		01:33:40 PM	

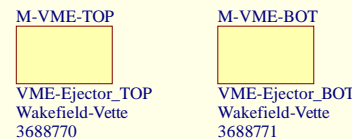
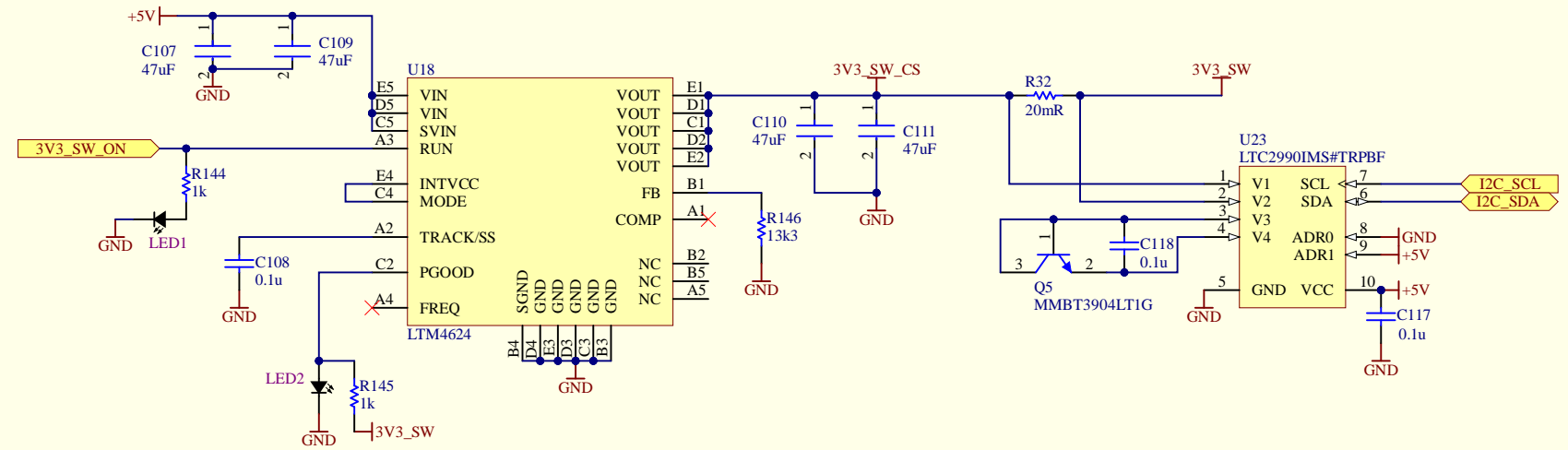
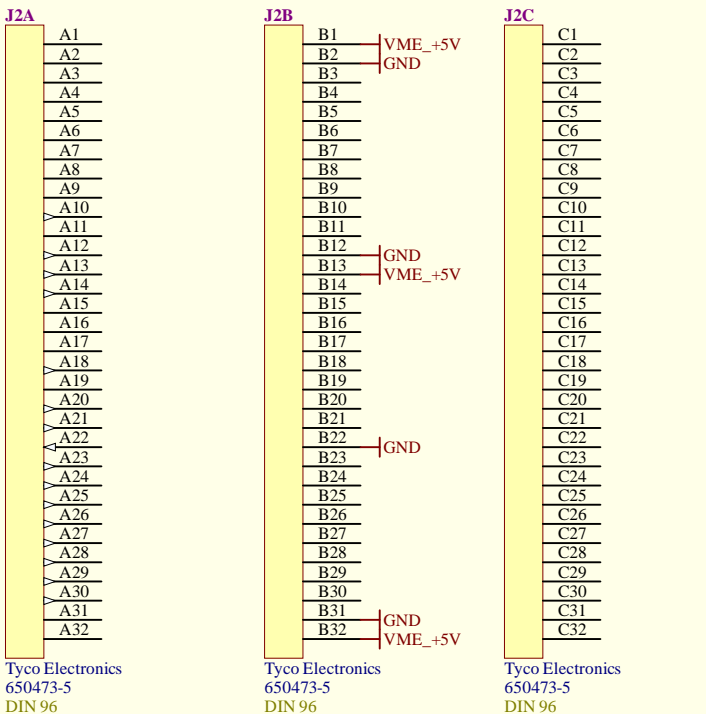
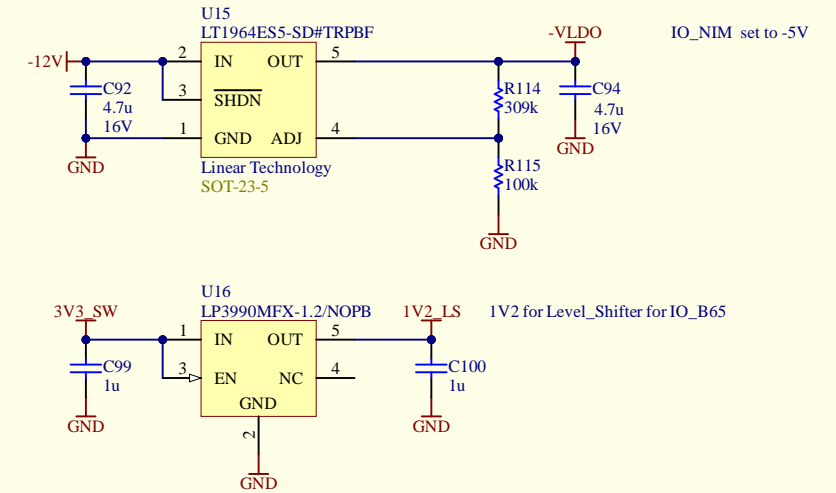
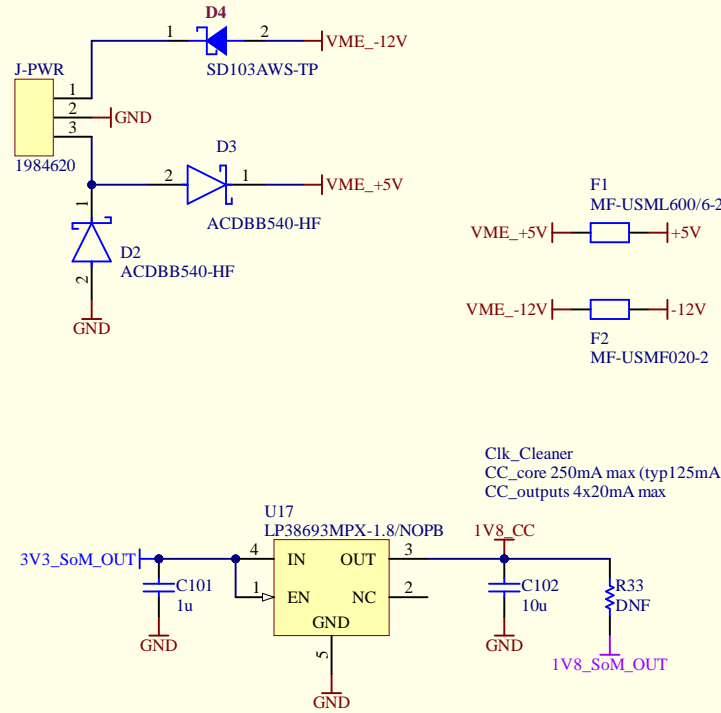
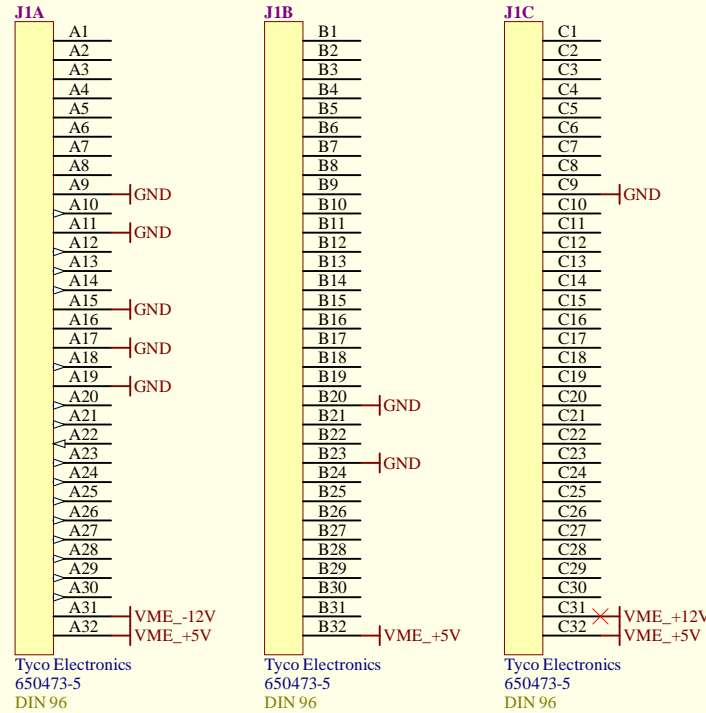


### DarkSide - DataManager - CLK fanout

Revision	Drawing #: *		<b>TRIUMF</b> 4004 Wesbrook Mall Vancouver, B.C. Canada V6T 2A3	
<b>1</b>	Sheet #: 6 of 10	Size: A		
	Drawn by: *	Date: 2024-11-26		
File: C:\Work\DarkSide 20krev1\DS-DM-CLK-FANOUT.SchDoc				
				01:33:40 PM

Current budget 3V3\_SW:

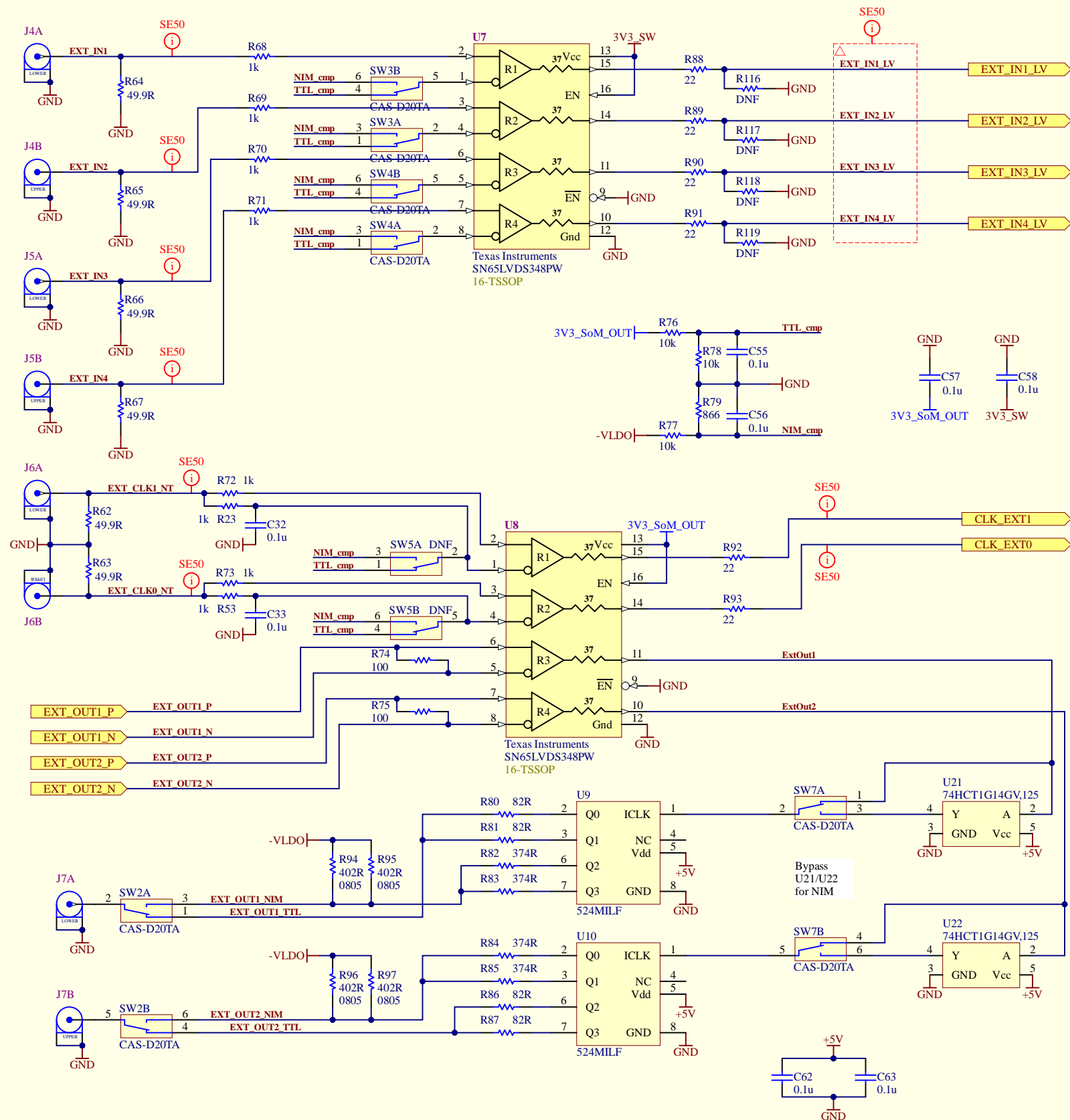
Sheet	Current mA	Notes
QSFP/SFP	1800	4x Qsfp each 1.5W (or 1xSFP)
CLK	480	clkcleaner 330mA, XO 100mA, clkbuf 50mA
CLK-FANOUT	1100	750mA = 3x clkbuf static; 18x 20mA each channel out
IO	140	20mA/buf
VX	430	RXbuf 6x22mA + TXbuf 6x50mA




**DarkSide - DataManager - Power**

Revision	Drawing #: *	TRIUMF 4004 Wesbrook Mall Vancouver, B.C. Canada V6T 2A3		
<b>1</b>	Sheet #: 7 of 10			Size: B
	Drawn by: *			Date: 2024-11-26

File: C:\Work\DarkSide 20k\rev1\DS-DM-Power.SchDoc 01:33:40 PM

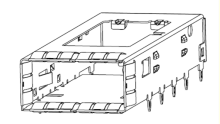
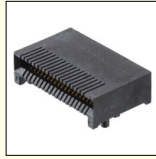
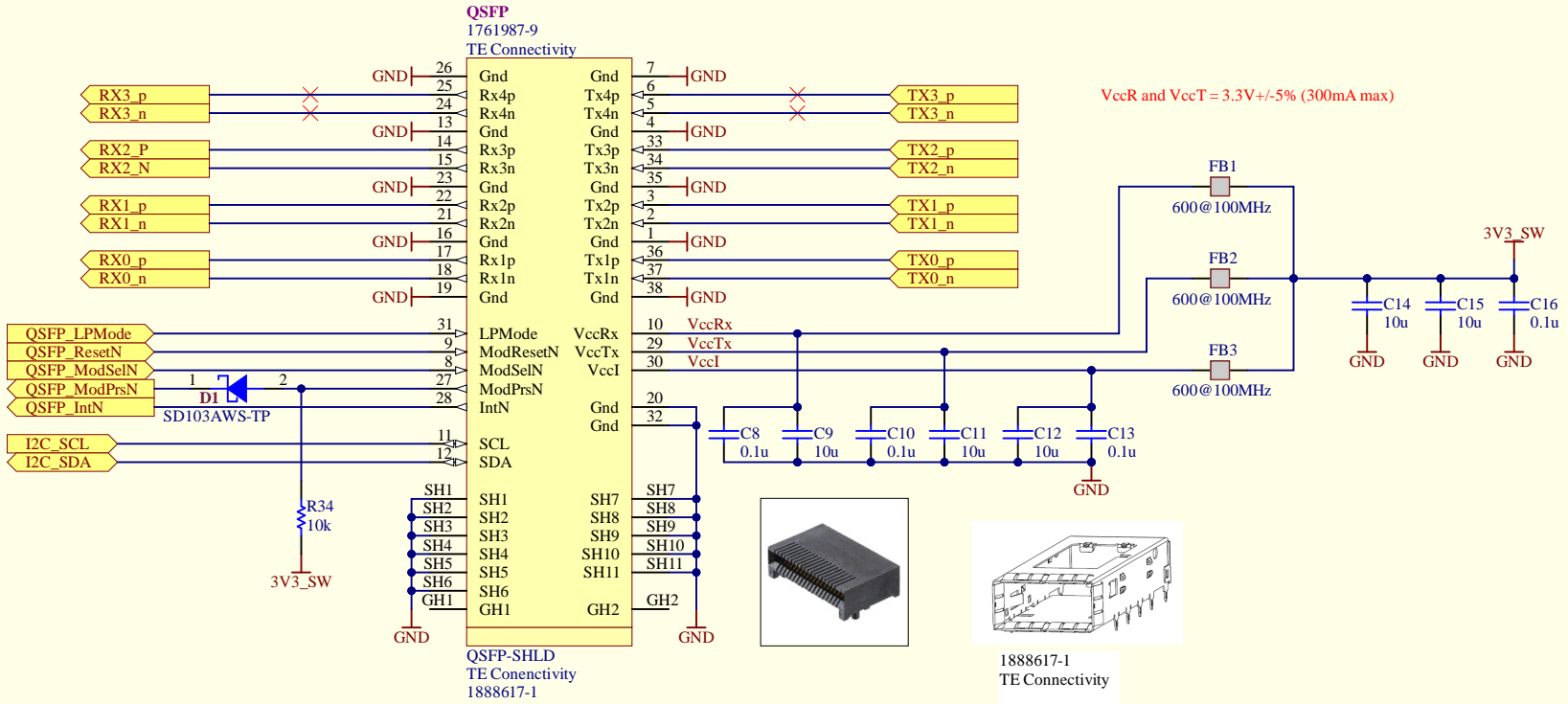


**DarkSide - DataManager - I/O**

Revision	Drawing #: *	TRIUMF 4004 Wesbrook Mall Vancouver, B.C. Canada V6T 2A3	
<b>1</b>	Sheet #: 8 of 10	Size: B	
	Drawn by: *	Date: 2024-11-26	


File: C:\Work\DarkSide 20k\rev1\DS-DM-I/O.SchDoc 01:33:40 PM





1888617-1  
TE Connectivity

**DNF QSFP CAGE**  
It needs to be tape on the bottom side to prevent shorts.

DarkSide - DataManager - QSFP			
Revision	Drawing #: *		TRIUMF 4004 Wesbrook Mall Vancouver, B.C. Canada V6T 2A3
<b>1</b>	Sheet #: 9 of 10	Size: A	
	Drawn by: *	Date: 2024-11-26	
File: C:\Work\DarkSide 20k\rev1\DS-DM-QSFP.SchDoc			
01:33:40 PM			

