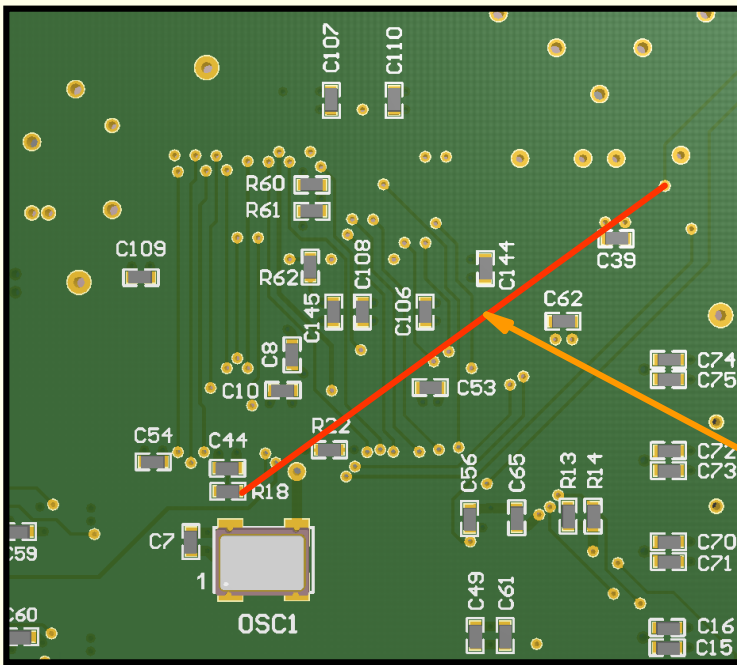
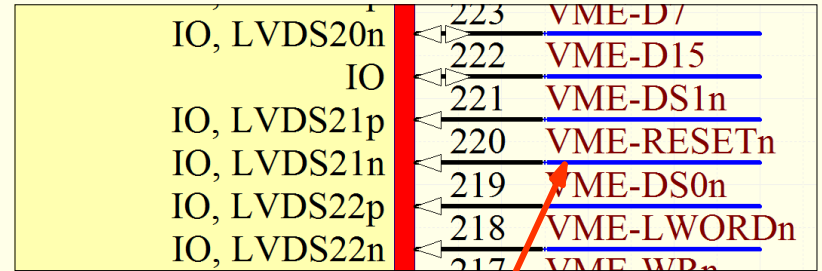
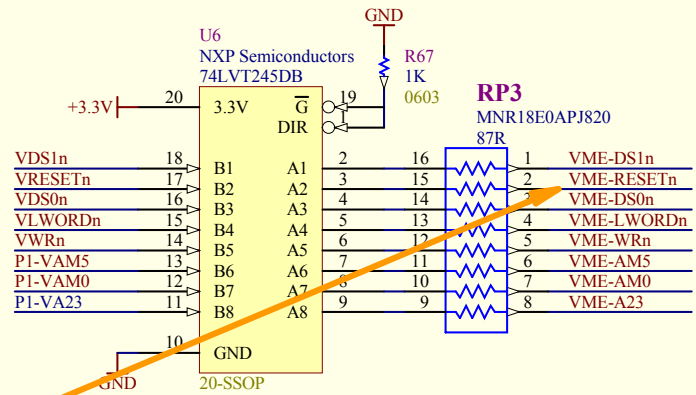
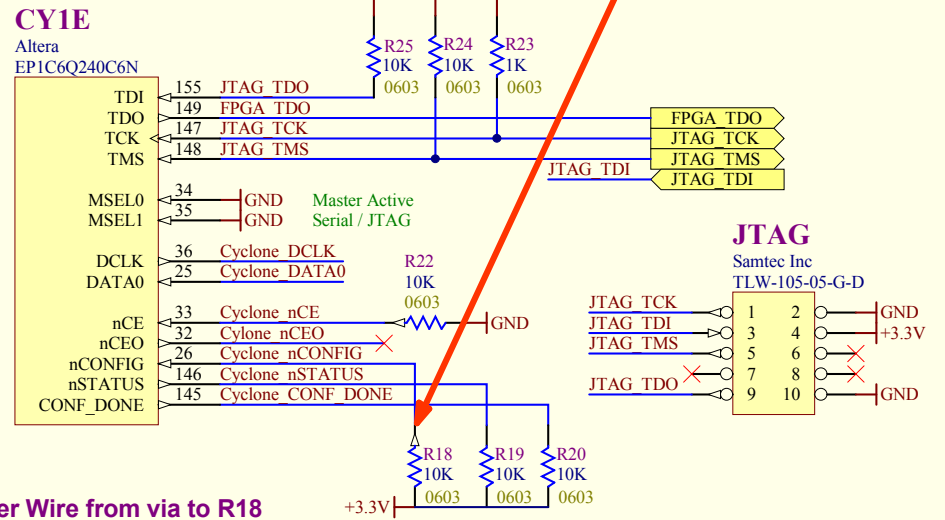


CUT TRACK



Solder Wire from via to R18



VME-NIMIO32 Rev1 - nCONFIG PCB Modification			
Revision	Drawing #: *		TRIUMF
1	Sheet #: * of *	Size: A	4004 Wesbrook Mall Vancouver, B.C. Canada V6T 2A3
	Drawn by: *	Date: 7/4/2011	
File: G:\VME-NIMIO32\ALTUM\Altium\Rev1\VME-NIMIO32 REV1 - nCONFIG PCB Modification.SchDocPM			