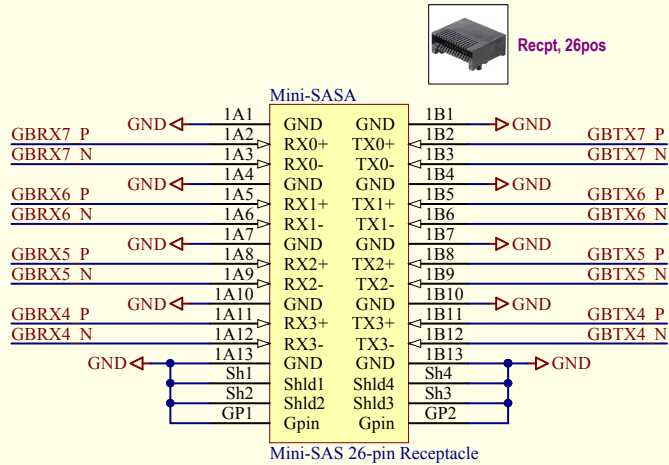
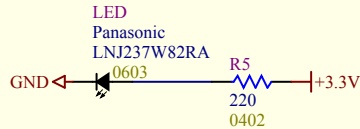
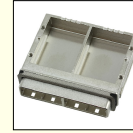
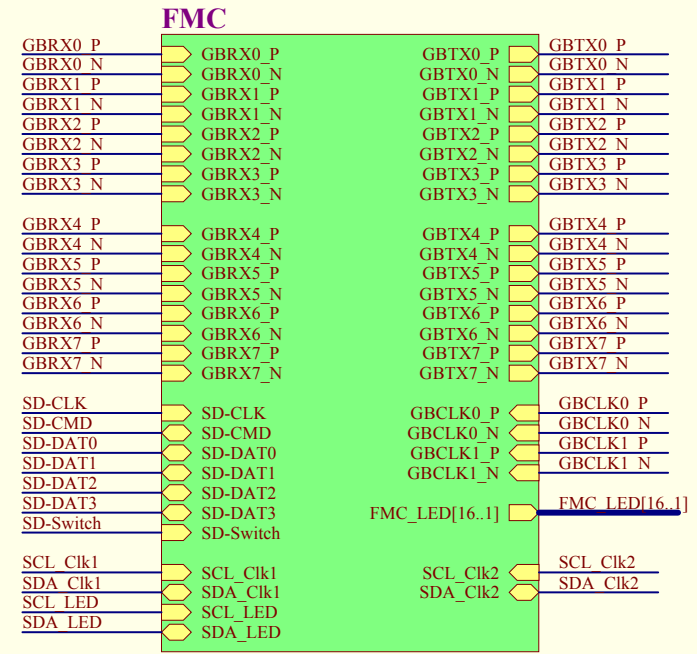


Mini-SAS Shield

Mini-SAS Shell x 2



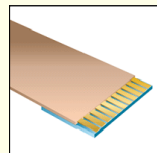
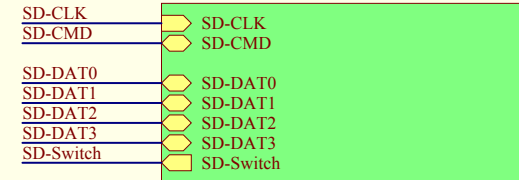
Mini-SASA 26-pin Receptacle



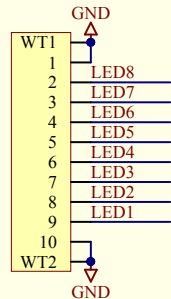
CLOCKS



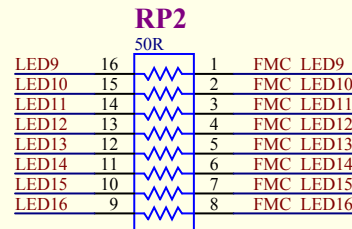
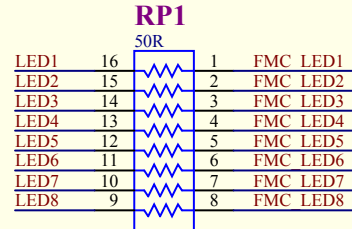
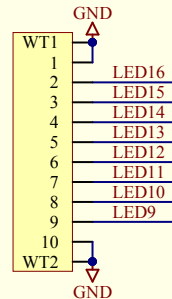
SD



DISPLAY1
TE Connectivity 1-1734592-0




DISPLAY2
TE Connectivity 1-1734592-0



← FRONT PANEL

FMC - Dual Mini-SAS Interface - Top Level



Revision	Drawing #: 1	TRIUMF 4004 Westbrook Mall Vancouver, B.C. Canada V6T 2A3	
1	Sheet #: 1 of 4	Size: A	
	Drawn by: D.Bishop	Date: 25/10/2013	
File: C:\GRIFFIN\FMC - MiniSAS x 2 Rev1\Altium\FMC - Mini-SAS x 2 - Top Level.SchDoc			10:26:49 PM

[Product Index](#) > [Crystals and Oscillators](#) > [Oscillators](#) > FXO-LC735RGB-125

		All prices are in Canadian dollars.		
Digi-Key Part Number	631-1218-1-ND	Price Break	Unit Price	Extended Price
Quantity Available	Digi-Key Stock: 1,519	1	7.99000	7.99
	Can ship immediately	10	7.54300	75.43
Manufacturer	Fox Electronics	50	7.27360	363.68
Manufacturer Part Number	FXO-LC735RGB-125	100	7.04920	704.92
Description	OSC 125.00 MHz 3.3V LVDS SMD	500	6.60020	3,300.10
Lead Free Status / RoHS Status	Lead free / RoHS Compliant			

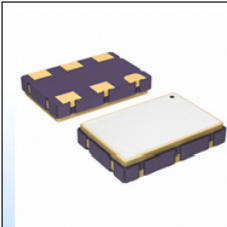
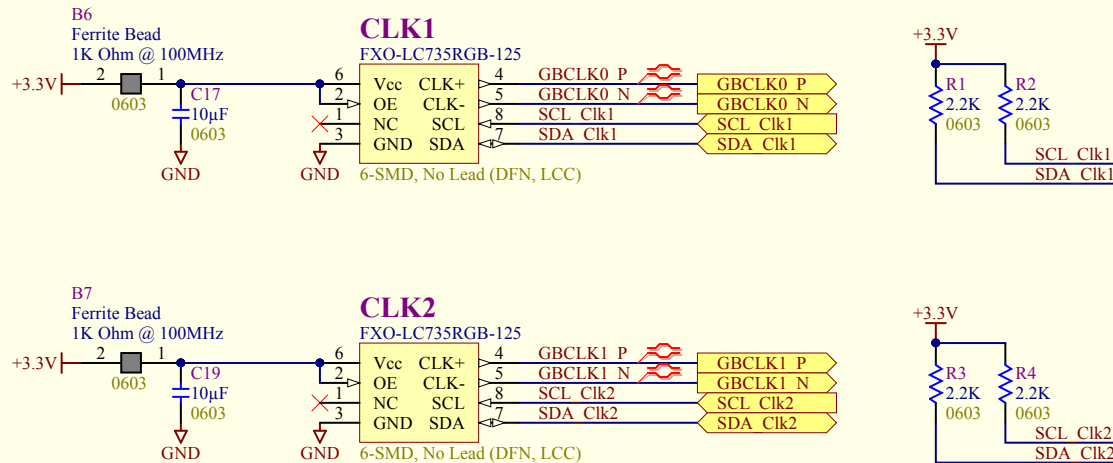



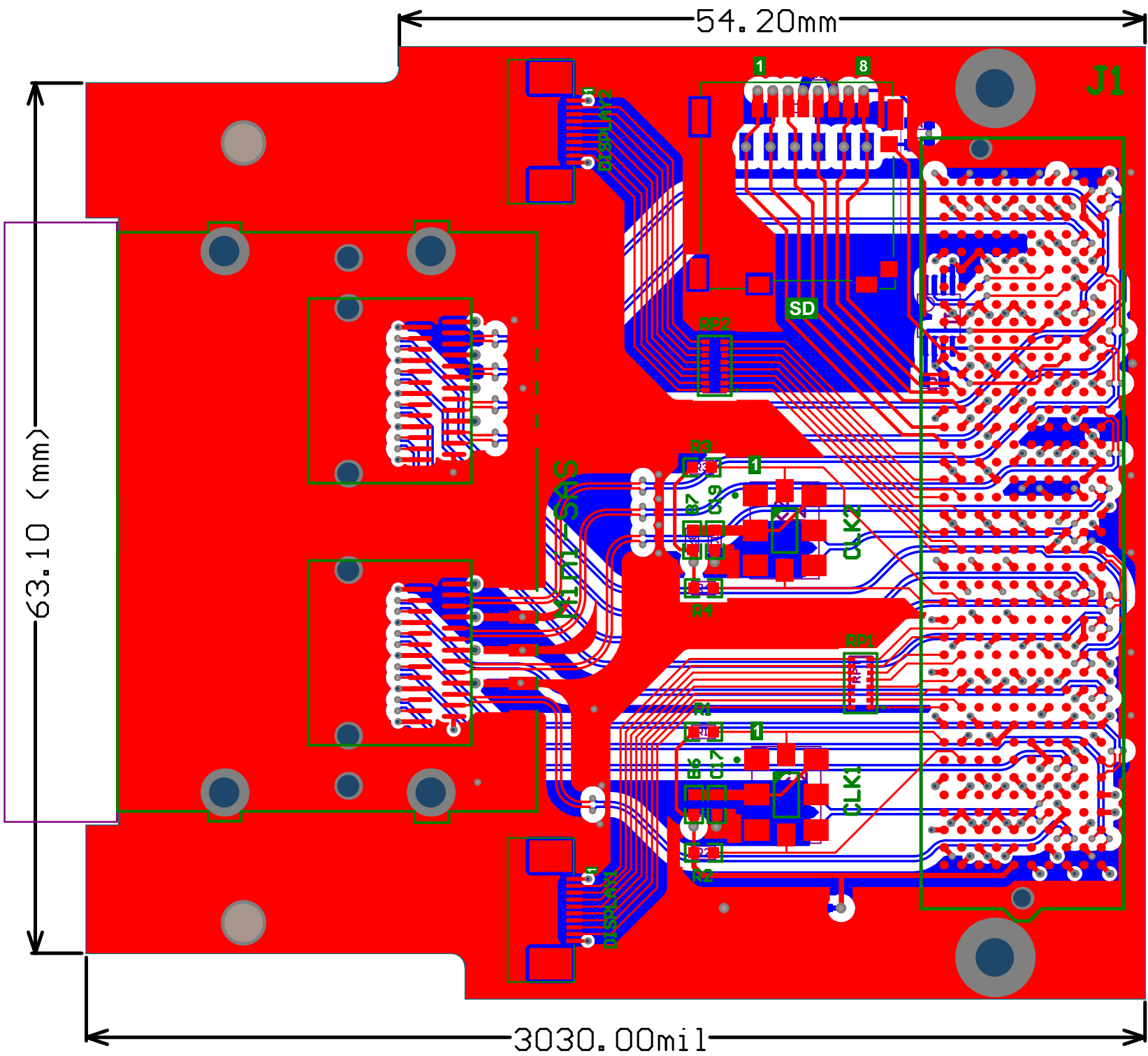
Image shown is a representation only. Exact specifications should be obtained from the product data sheet.

Quantity	Item Number	Customer Reference
<input type="text" value="1"/>	631-1218-1-ND	<input type="text"/>



FMC - Dual Mini-SAS Interface - Reference Clocks

1	Revision	Drawing #: 4	TRIUMF 4004 Westbrook Mall Vancouver, B.C. Canada V6T 2A3	
	Sheet #: 4 of 4	Size: A		
	Drawn by: D.Bishop	Date: 25/10/2013		
File: C:\GRIFFIN\FMC - MiniSAS x 2 Rev1\Altium\FMC - Mini-SAS x 2 - Reference Clocks.SchDoc				10:26:49 PM



Manufacturer	Description	Digi-Key	Designator	LibRef	Part Number	Quantity
	RES 2.20K OHM 1/10W 1% 0402SMD		R13	RES-SMALL		1
FCI	CONN MINI-SAS CAGE R/A 1X2	609-3964-ND	Mini-SAS Shield	Mini-SAS Shield Assembly	10098872-1102LF	1
Fox Electronics	OSC 125.00 MHZ 3.3V LVDS SMD	631-1218-1-ND	CLK1, CLK2	570FAB000115DG	FXO-LC735RGB-125	2
Laird-Signal Integrity Products	FERRITE 200MA 1000 OHM 0603 SMD	240-2378-2-ND	B6, B7	Ferrite Bead	HZ0603B102R-10	2
Microchip Technology	IC SRL EEPROM 4KX8 2.5V 8-MSOP	24LC32AF-I/MS-ND	U1	24LC32-IST	24LC32AF-I/MS	1
Molex Inc	CONN MICROSD MEMORY CARD SMD	WM6376CT-ND	SD	SD Card - Micro - Molex	5031820852	1
Panasonic	LED RED HIGH BRIGHT ESS SMD	LNJ237W82RACT- ND	LED	LED_2	LNJ237W82RA	1
Panasonic Electronic Components	RES 2.20K OHM 1/10W 1% 0603 SMD	P2.20KHTR-ND	R1, R2, R3, R4, R11, R12	RES-SMALL	ERJ-3EKF2201V	6
Panasonic Electronic Components	RES 220 OHM 1/10W 1% 0402 SMD	P220LCT-ND	R5	RES-SMALL	ERJ-2RKF2200X	1
Rohm Semiconductor	RES ARRAY 50 OHM 8 RES 1506	MNR18500CT-ND	RP1, RP2	RES-ARRAY-8	MNR18E0APJ500	2
SAMTEC	FMC Mezzanine connector	ASP-134488-01	J1	ASP-134488-01	ASP-134488-01	1
Taiyo Yuden	CAP CER 10UF 6.3V 20% X5R 0603	587-1256-2-ND	C1, C17, C19	CAP-SMALL	JMK107BJ106MA-T	3
TE Connectivity	0603 PROBE PAD	A106145TR-ND	TP1, TP2, TP3, TP4, TP5, TP6	TEST_POINT	1625854-3	6
TE Connectivity	CONN FPC 10POS .5MM RT ANG SMD	A100282CT-ND	DISPLAY1, DISPLAY2	ZIF 10x1 - Weld Tabs 0.5mm	1-1734592-0	2
TE Connectivity	CONN RCPT 26PS R/A SMD	A98566CT-ND	Mini-SAS	MINI-SAS - Dual 26pin	1761987-7	1
Yageo	CAP CERAMIC .100UF	311-1341-2-ND	C7	CAP-SMALL	CC0603KRX7R8BB104	1